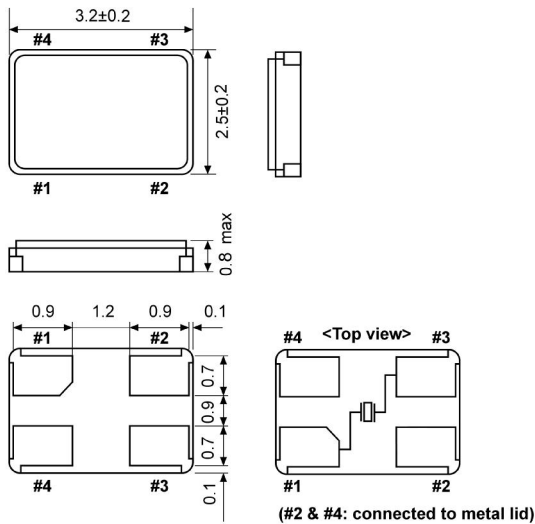


Quartz Crystal

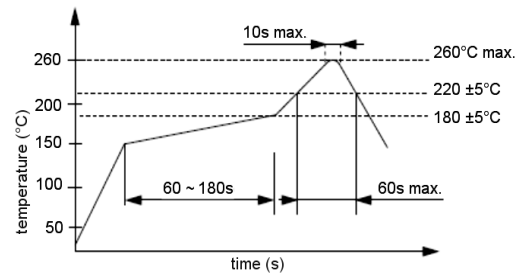
SMD-version

part no.	12.60260
model	KX - 7
frequency	16.0 MHz
mode	fundamental
operating temperature	-20° ~ +70°C
storage temperature	-40° ~ +80°C
frequency tolerance at +25°C	±10 ppm
temperature tolerance -20° ~ +70°C	±10 ppm
load capacitance C_L	20 pF
series resistance R1 max.	60 Ohm
aging at +25°C (first year) max.	±2 ppm
shunt capacitance C_0 max.	5 pF
drive level	10 μ W typ., 200 μ W max.
contents of reel	1000 pcs.

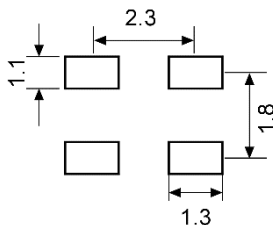
Dimensions (mm):



Reflow soldering condition:



Suggested soldering pad:



Tape specification:

