

SPECIFICATION:

Operating Current (Nom.): 1 A
 Operating Temperature: -55°C to 105°C
 Insulation Resistance (Min.): 1000 MΩ
 Contact Resistance (Max.): 15 mΩ
 Dielectric Strength: 500 Vac

MATERIAL:

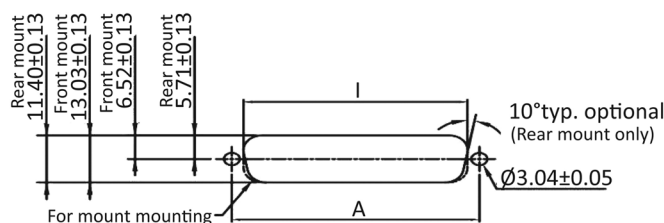
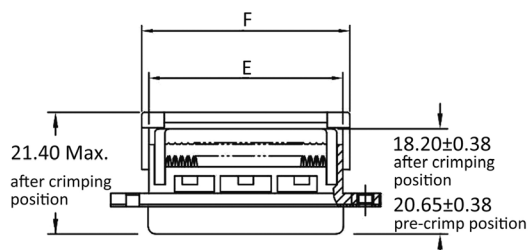
Material (Housing): steel, tin plated
 Flammability Class: UL 94 V-0
 Material (Insulation): PBT
 Material (Contact Area): brass, gold plated

HANDLING:

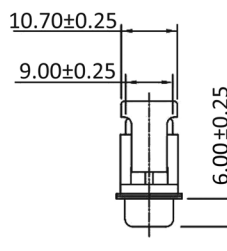
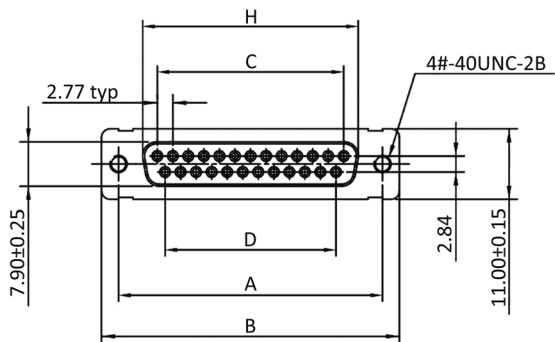
Terminal: IDC
 Packaging: tray

TOLERANCE:

.X: ± 0.38
 .XX: ± 0.25



Recommended panel cutout dimensions



Dimensions

Number of Contacts:	A:	B:	C:	D:	H:
9	24.99	30.8	11.08	8.31	16.33
15	33.32	39.1	19.39	16.62	24.66
25	47.04	53.09	33.24	30.47	38.38
37	63.5	69.4	49.86	47.09	54.84

Order Information

Identifier:	No. of Contacts:	Contact Plating:	Shell:	Mounting:	Insulator Colour:
BU	#	S	K	FG	
D-Sub Female IDC	9: 9 poles 15: 15 poles 25: 25 poles 37: 37 poles	selective gold plated *	metal shell with plastic strain relief	thread UNC4-40	black

* = Standard