

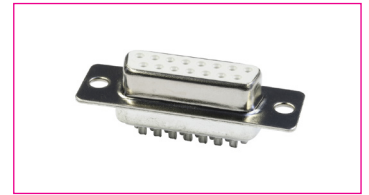
D-Sub Connectors Solder Cup

Female Connectors, tin plated



SPECIFICATION:

Operating Current (Nom.):	1 A
Operating Temperature:	-40°C to 70°C
Insulation Resistance (Min.):	500 MΩ
Contact Resistance (Max.):	30 mΩ
Operating Life in Mating Cycles (Min.):	500
Dielectric Strength:	500 Vac



MATERIAL:

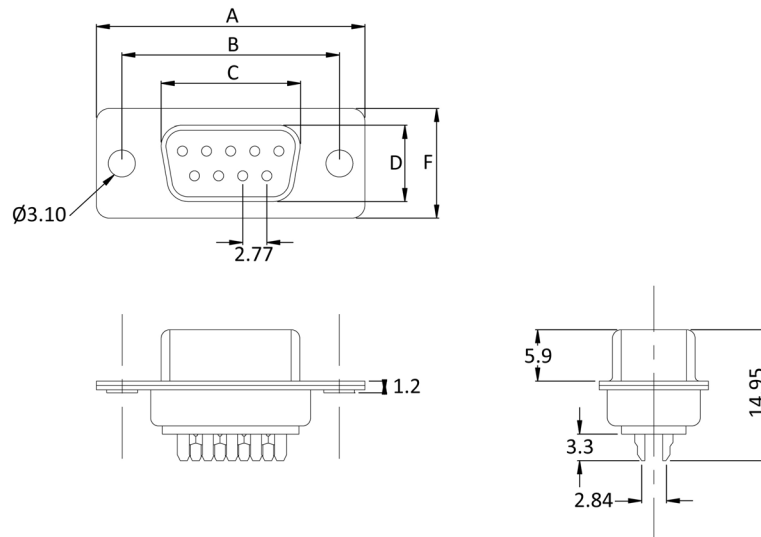
Material (Terminal):	brass, tin plated
Material (Housing):	steel, front nickel plated and back tin plated
Flammability Class:	UL 94 V-0
Material (Insulation):	PBT
Material (Contact Area):	brass, gold plated

HANDLING:

Packaging:	tray
------------	------

TOLERANCE:

.X:	± 0.20
.XX:	± 0.10



Dimensions

Number of Contacts:	A:	B:	C:	D:	F:
9	30.85	25	16.4	7.9	12.55
15	39.25	33.35	24.7	7.9	12.55
25	53.1	47.04	38.52	7.9	12.55
37	69.4	63.5	54.85	7.9	12.55
50	67.08	61.05	52.25	10.9	15.37

Order Information

Identifier:	No. of Contacts:	Version:	Shell:
BU	#	LK	V
D-Sub Female	9: 9 poles	solder lug	tin plated
	15: 15 poles		
	25: 25 poles		
	37: 37 poles		
	50: 50 poles		