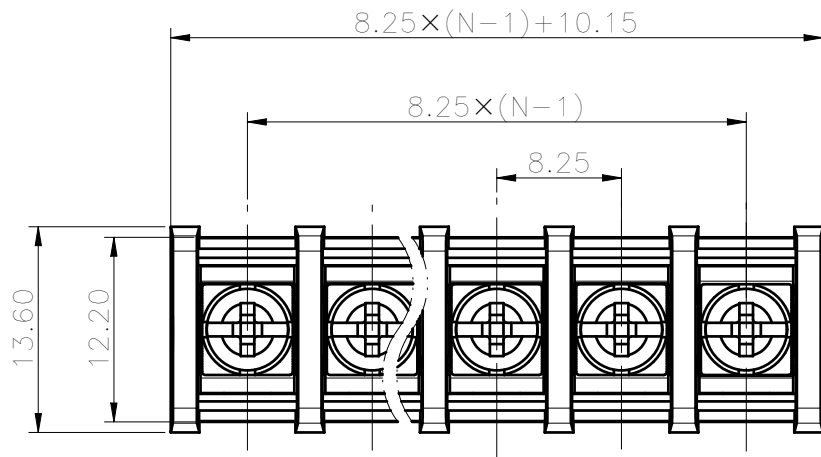
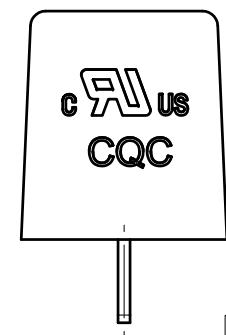
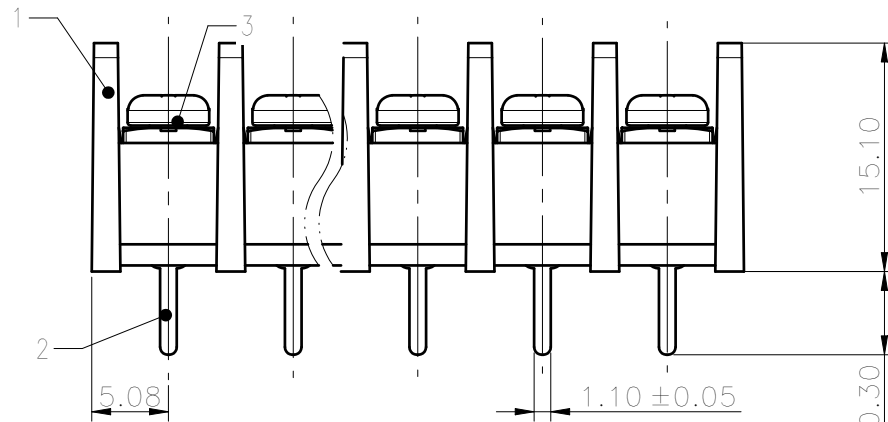
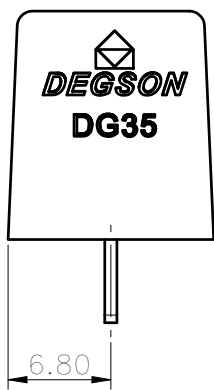
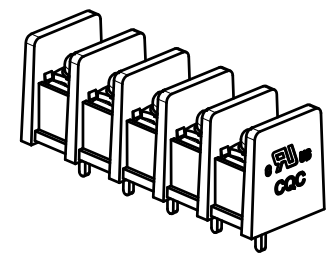


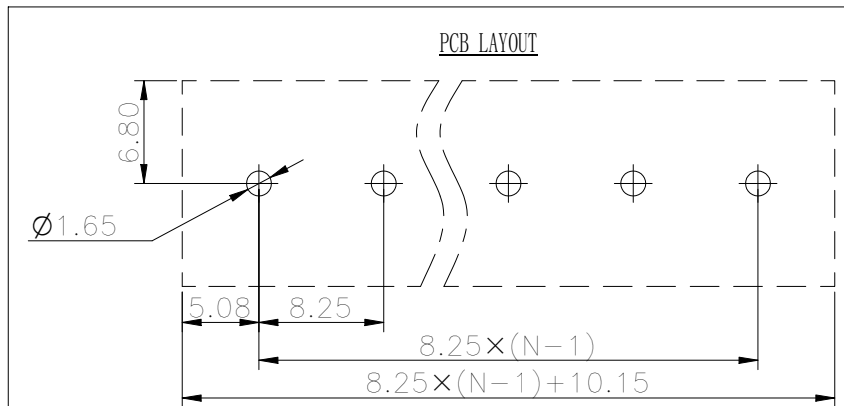
未注公差/General tolerances (mm)													0.1/10	
0	>3	>6	>10	>18	>30	>50	>80	>120	>180	>250	>315	>400		±2'
~3	~6	~10	~18	~30	~50	~80	~120	~180	~250	~315	~400	~500		
±0.12	±0.18	±0.22	±0.26	±0.31	±0.37	±0.57	±0.80	±0.93	±1.05	±1.15	±1.60	±2.20	±2.50	



please refer to the 3D model, for those unmarked dimensions



3	Screw	Steel	Ni Plated
2	Pin header	Copper alloy	Sn Plated
1	Housing	PA66	UL94V-0
ITEM	NAME OF PART	MATERIAL	NOTES



UL 标准/UL Standard:		B	C	D
额定电压/电流/Rated Voltage(V)/Current(A)		300/20	/	/
IEC 标准/IEC Standard:				
过压类别/Overvoltage Category/污染等级/Pollution Degree		III/3	III/2	II/2
额定电压/电流/Rated Voltage(V)/Current(A)		450/32	/	/
螺丝扭矩/Torque Tightening(N·m/Lb.in)		M3, 0.5/4.43		
线径范围(硬线和软线)/Wire Range(rigid and flexible)(AWG/mm²)		22~12/ 4.0		
间距/Pitch(mm)/线数范围/Poles		8.25/N=02~26P		
使用温度范围/Operating temperature(°C)		-40~+105		
符合RoHS环保要求/Conform to RoHS		Yes		

DEGSON		MATERIAL:	SURFACE/COLOR:
APPD: 蓝贵凡 2022.12.20	CHKD: 曹利彬 2022.12.09	MAT NO./REV: /	MAT STATUS: 批量
NAME DG35C-B-XXP-1Y-00L (H)			
DRFT: 姜民洁 2022.12.09	DRAWING NO. 200058821	TYPE CUSTOMER DRAWING	DRAWING STATUS 已发布
SCALE 2:1	SHEET 1/1		

00			姜民洁	2022.12.09
REV	ECN	DESCRIPTION	DRFT	DATE

Transfer or duplication of this document as well as the utilization or communication of its content are prohibited unless authorized in writing by DEGSON. All rights reserved for patent. 除专利等明确标注外，其他内容均受版权保护。未经授权，禁止复制或传播。 0.1/10