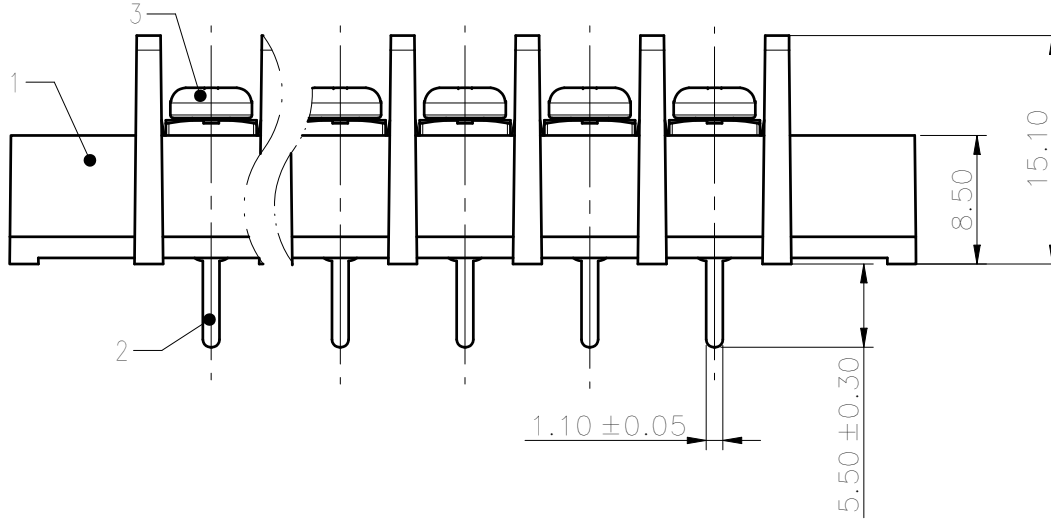
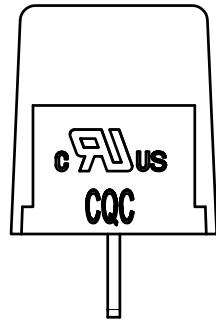
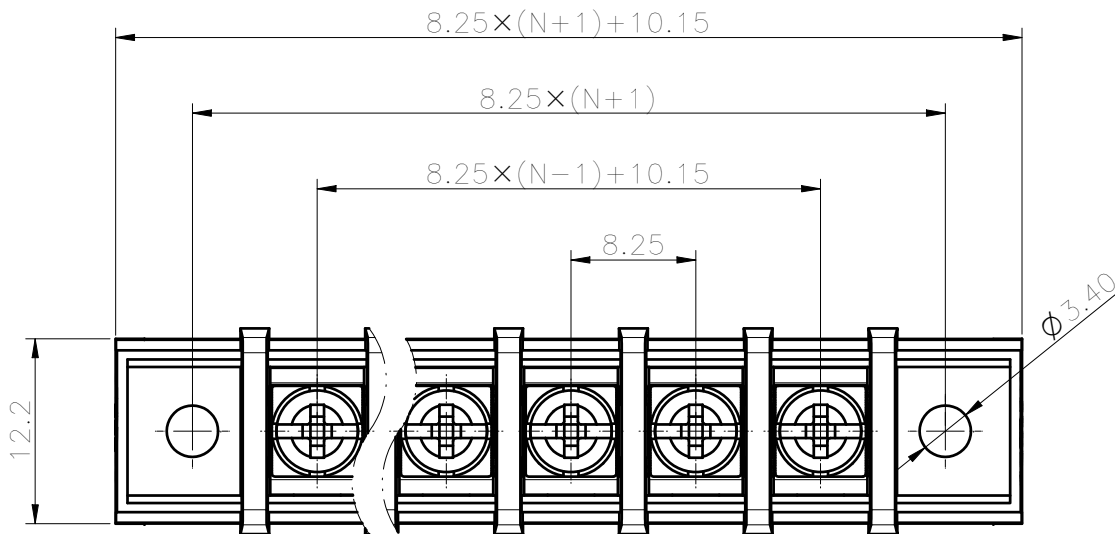
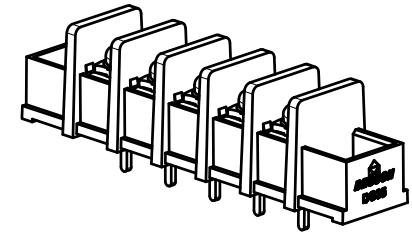


未注公差/General tolerances (mm)													0.1/10	
0	>3	>6	>10	>18	>30	>50	>80	>120	>180	>250	>315	>400		>500
±0.12	±0.18	±0.22	±0.26	±0.31	±0.37	±0.57	±0.80	±0.93	±1.05	±1.15	±1.60	±2.20	±2.50	±2'



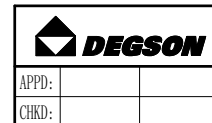
0.80 ± 0.05

please refer to the 3D model, for those unmarked dimensions



3	Screw	Steel	Ni Plated
2	Pin header	Brass	SnCe
1	Housing	PA66	UL94V-0
ITEM	NAME OF PART	MATERIAL	NOTES

UL 标准/UL Standard:	B	C	D
额定电压/电流/Rated Voltage(V)/Current(A)	300/20	/	/
IEC 标准/IEC Standard:			
过压类别/Overvoltage Category/污染等级/Pollution Degree	III/3	III/2	II/2
额定电压/电流/Rated Voltage(V)/Current(A)	/	450/32	/
额定脉冲电压(KV)/Rate Impulse Voltage(KV)	/	/	/
螺丝扭矩/Torque Tightening(N · m/Lb.in)	M3, 0.5/4.43		
线径范围(硬线和软线)/Wire Range(rigid and flexible)(AWG/mm ²)	22~12 / 4.0		
间距/Pitch(mm)/线数范围/Poles	8.25/N=02~24P		
剥线长度/Stripping length(mm)	/		
使用温度范围/Operating temperature(°C)	-40~+105		
符合 RoHS 环保要求/Conform to RoHS	Yes		



MATERIAL:	SURFACE/COLOR:		
MAT NO./REV:	MAT STATUS: 批量		
APPD:	NAME		
CHKD:	DG35C-A-XXP-1Y-00L(H)		
DRFT: 姜民洁	2022.03.09	DRAWING NO. 200058484	TYPE
			DRAWING STATUS work
			SCALE 2:1
			SHEET 1/1

REV	ECN	DESCRIPTION	DRFT	DATE
00				

Transfer or duplication of this document as well as the utilization or communication of its contents are prohibited unless authorized in writing by DEGSON. All rights reserved for patent, utility model or design registrations. 除专利权、商标权、著作权、实用新型、外观设计、发明专利等权利外，其他权利均归 DEGSON 所有。未经 DEGSON 书面许可，不得复制或传播本文件内容。