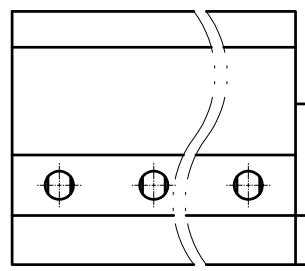
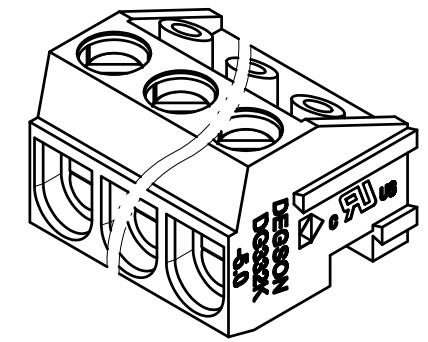
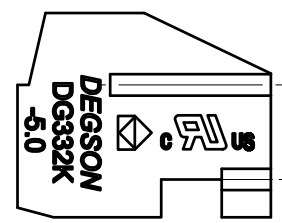
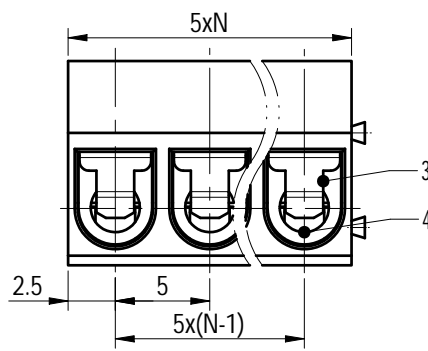
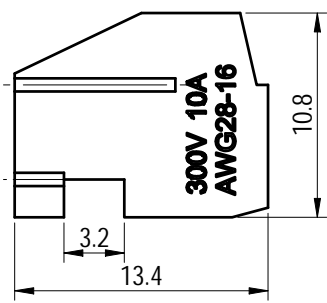
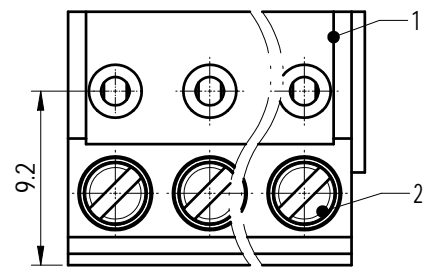


Transfer or duplication of this document as well as the utilization or communication of its contents are prohibited unless authorized in writing. All rights reserved for patent, utility model or design registrations. 除专利、实用新型、外观设计、集成电路布图设计、软件著作权等知识产权外，其他权利均归本公司所有。未经许可，不得复制或传播。

未注公差/General tolerances (mm)														
0	>3	>6	>10	>18	>30	>50	>80	>120	>180	>250	>315	>400	0.1/10 ±2'	
~3	~6	~10	~18	~30	~50	~80	~120	~180	~250	~315	~400	>500		
±0.12	±0.18	±0.22	±0.26	±0.31	±0.37	±0.57	±0.80	±0.93	±1.05	±1.15	±1.60	±2.20	±2.50	

UL 标准/UL Standard:	B	C	D
额定电压/电流/Rated Voltage(V)/Current(A)	300/10	/	/
IEC 标准/IEC Standard:			
过压类别/Overvoltage Category/污染等级/Pollution Degree	III/3	III/2	II/2
额定电压/电流/Rated Voltage(V)/Current(A)	/	250/12	/
工频耐压/Withstanding Voltage(V/1Min)	AC2000		
螺丝扭矩/Torque Tightening(N·m/Lb.in)	M2.5,0.4/3.54		
线径范围(硬线和软线)/Wire Range(rigid and flexible)(AWG/mm²)	28~16/ 0.2~1.5		
间距/Pitch(mm)/线数范围/Poles	5.0/N=02~24P		
剥线长度/Stripping length(mm)	5~6		
使用温度范围/Operating temperature(°C)	-30~+120		
符合RoHS环保要求/Conform to RoHS	Yes		



4	Cage	Copper alloy	M2.5/Ni Plated
3	Clamp	Copper alloy	Ni Plated
2	Screw	Steel	M2.5/Zn Plated
1	Housing	PBT	UL94V-0
ITEM	NAME OF PART	MATERIAL	NOTES

		MATERIAL:	SURFACE/COLOR:		
APPD: 兰春华 2022.11.28		MAT NO./REV:	MAT STATUS: 批量		
CHKD: 陈招 2022.11.28		NAME			
DRFT: 柳学龙 2022.11.28		DG332K-5.0-XXP-1Y-00L(H)			
DRAWING NO.	TYPE	DRAWING STATUS	SCALE	SHEET	
200025411	CUSTOMER DRAWING	已发布	2.5:1	1/1	

00			柳学龙	2022.11.28
REV	ECN	DESCRIPTION	DRFT	DATE