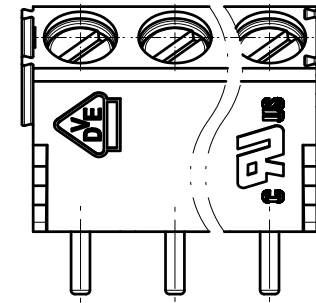
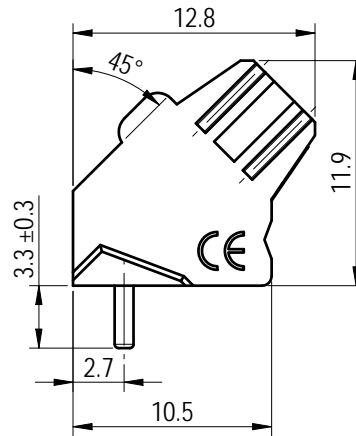
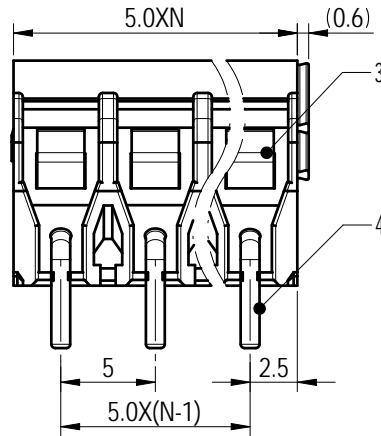
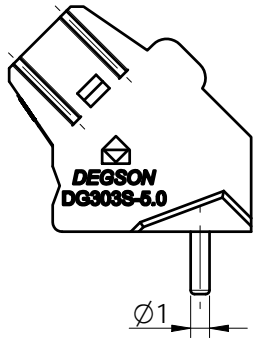
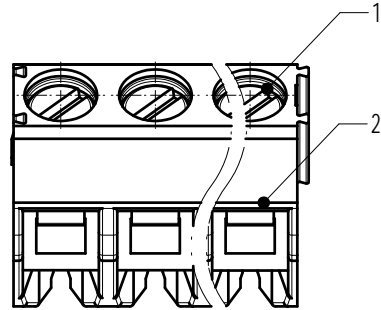
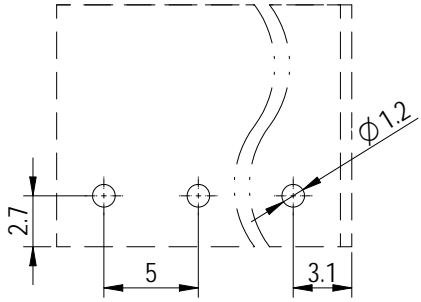
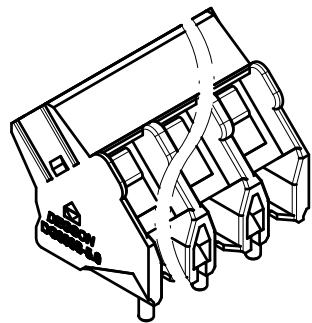


PCB LAYOUT



未注公差/General tolerances (mm)												0.1/10 ±2'		
0	>3	>6	>10	>18	>30	>50	>80	>120	>180	>250	>315		>400	>500
±0.12	±0.18	±0.22	±0.26	±0.31	±0.37	±0.57	±0.80	±0.93	±1.05	±1.15	±1.60	±2.20	±2.50	

UL 标准/UL Standard:	B	C	D
额定电压/电流/Rated Voltage(V)/Current(A)	300/15	/	300/10
IEC 标准/IEC Standard:			
过压类别/Overvoltage Category/污染等级/Pollution Degree	III/3	III/2	II/2
额定电压/电流/Rated Voltage(V)/Current(A)	250/24	400/24	630/24
额定脉冲电压(KV)/Rate Impulse Voltage(KV)	4	4	4
螺丝扭矩/Torque Tightening(N·m/Lb.in)	M2.6, 0.4/3.6		
线径范围(硬线和软线)/Wire Range(rigid and flexible)(AWG/mm²)	26~12 / 0.2~2.5		
间距/Pitch(mm)/线数范围/Poles	5.0/N=02~24P		
剥线长度/Stripping length(mm)	5		
使用温度范围/Operating temperature(°C)	-40~+105		
符合RoHS环保要求/Conform to RoHS	Yes		



4	Pin	Copper alloy	M2.6/Sn Plated
3	Spring	Stainless steel	/
2	Housing	PA66	UL94V-0
1	Screw	Steel	M2.6/Zn Plated
ITEM	NAME OF PART	MATERIAL	NOTES

DEGSON		MATERIAL:	SURFACE/COLOR:	
APPD: 兰春华	2023.01.04	MAT NO./REV: /	MAT STATUS: 批量	
CHKD: 陈招	2023.01.04	NAME		
DRFT: 岑凯	2023.01.04	DG303S-5.0-XXP-1Y-00L(H)		
DRAWING NO. 200027976	TYPE CUSTOMER DRAWING	DRAWING STATUS 已发布	SCALE 2.5:1	SHEET 1/1

REV	ECN	DESCRIPTION	DRFT	DATE
00			岑凯	2023.01.04

Transfer or duplication of this document as well as the utilization or communication of its contents are prohibited unless authorized in writing. All rights reserved for patent. 除专利声明外，其他内容均受法律保护。未经许可，不得复制或传播。 0.1/10