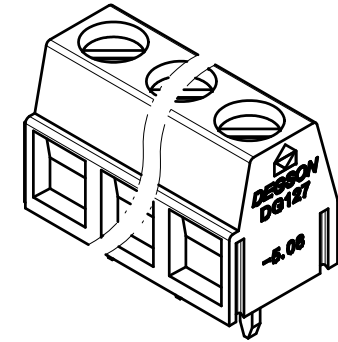
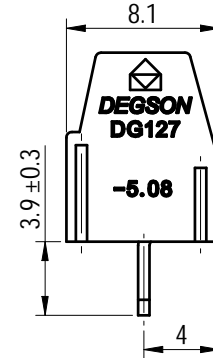
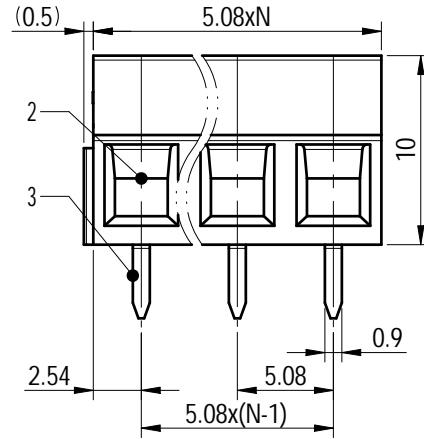
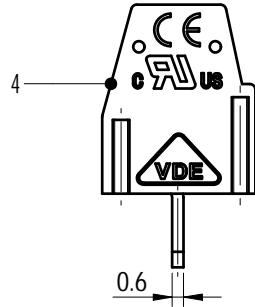
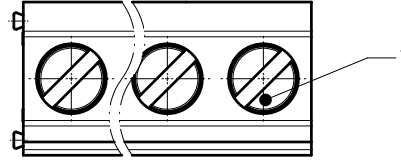
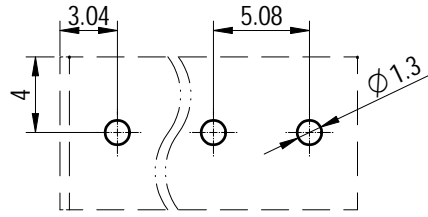


PCB LAYOUT



未注公差/General tolerances (mm)													
0	>3	>6	>10	>18	>30	>50	>80	>120	>180	>250	>315	>400	0.1/10 ±2'
~3	~6	~10	~18	~30	~50	~80	~120	~180	~250	~315	~400	>500	
±0.12	±0.18	±0.22	±0.26	±0.31	±0.37	±0.57	±0.80	±0.93	±1.05	±1.15	±1.60	±2.20	±2.50

UL 标准/UL Standard:	B	C	D
额定电压/电流/Rated Voltage(V)/Current(A)	300/12	/	/
IEC 标准/IEC Standard:			
过压类别/Overvoltage Category/污染等级/Pollution Degree	III/3	III/2	II/2
额定电压/电流/Rated Voltage(V)/Current(A)	/	250/15	/
工频耐压/ Withstand voltage(V/1Min)	AC2000		
螺丝扭矩/Torque Tightening(N·m/Lb.in)	M3, 02P 0.34/3.1 ≥03P 0.5/4.5		
线径范围(硬线和软线)/Wire Range(rigid and flexible)(AWG/mm ²)	26~14/ 0.75~1.5		
间距/Pitch(mm)/线数范围/Poles	5.08N=02~24P		
剥线长度/Stripping length(mm)	6~7		
使用温度范围/Operating temperature(°C)	-40~+105		
符合RoHS环保要求/Conform to RoHS	Yes		

4	Housing	PA66	UL94V-0
3	Pin header	Copper alloy	Sn Plated
2	Cage	Copper alloy	M3/Ni Plated
1	Screw	Steel	M3/Zn Plated
ITEM	NAME OF PART	MATERIAL	NOTES

		MATERIAL:	SURFACE/COLOR:	
APPD:	兰春华	2022.09.01	MAT NO./REV:	/
CHKD:	陈招	2022.09.01	MAT STATUS:	批量
DRFT:	柳学龙	2022.08.31	NAME	
		DG127-5.08-XXP-1Y-1000L(H)		
DRAWING NO.	TYPE	DRAWING STATUS	SCALE	SHEET
200025215	CUSTOMER DRAWING	已发布	2.5:1	1/1

REV	ECN	DESCRIPTION	DRFT	DATE
00			柳学龙	2022.08.31

Transfer or duplication of this document as well as the utilization or communication of its contents are prohibited unless authorized in writing by DEGSON. All rights reserved for patent. 除专利注明情况外，其他部分均按原样提供。未经授权，不得复制或传播。 除专利注明情况外，其他部分均按原样提供。 除专利注明情况外，其他部分均按原样提供。