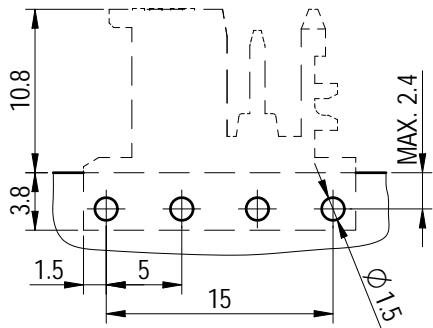
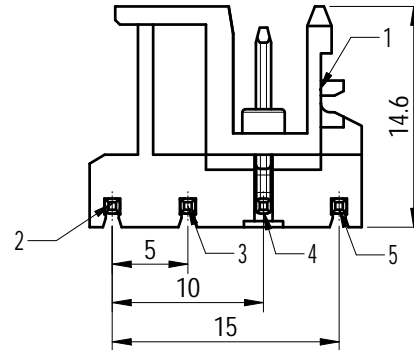
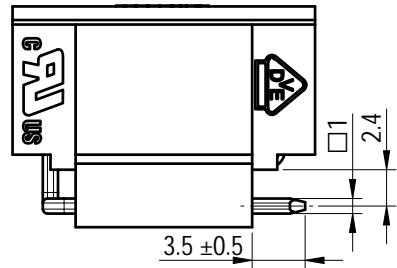
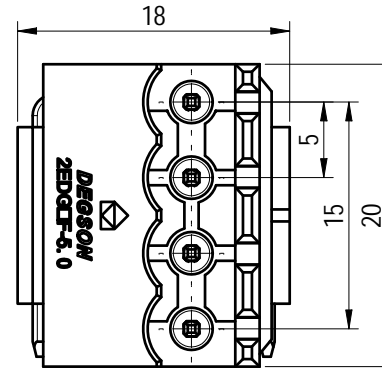


### PCB LAYOUT



未注公差/General tolerances (mm)											0.1/10			
0	>3	>6	>10	>18	>30	>50	>80	>120	>180	>250		>315	>400	>500
±0.12	±0.18	±0.22	±0.26	±0.31	±0.37	±0.57	±0.80	±0.93	±1.05	±1.15	±1.60	±2.20	±2.50	±2'



ITEM	NAME OF PART	MATERIAL	NOTES
5	Pin2	Copper	Sn Plated
4	Pin1	Copper	Sn Plated
3	Pin3	Copper	Sn Plated
2	Pin4	Copper	Sn Plated
1	Housing	PA66	UL94V-0

UL 标准/UL Standard:	B	C	D
额定电压/电流/Rated Voltage(V)/Current(A)	300/15	/	300/10
IEC 标准/IEC Standard:			
过压类别/Overvoltage Category/污染等级/Pollution Degree	III/3	III/2	II/2
额定电压/电流/Rated Voltage(V)/Current(A)	/	320/20	/
额定脉冲电压(KV)/Rate Impulse Voltage(KV)	/	4	/
使用温度范围/Operating temperature(°C)	-40~+105		
符合RoHS环保要求/Conform to RoHS	Yes		
标准颜色编号/Standard color number: PANTONE / RAL	/		

**DEGSON**

APPD: 兰春华 2022.11.07  
 CHKD: 龚耀志 2022.11.04  
 DRFT: 方哲盛 2022.11.04

MATERIAL:	SURFACE/COLOR:		
MAT NO./REV:	/	MAT STATUS: 批量	
NAME 2EDGRF-5.0-04P-1Y-00L(H)			
DRAWING NO. 200019381	TYPE CUSTOMER DRAWING	DRAWING STATUS 已发布	SCALE 2:1
		SHEET 1/1	

REV	ECN	DESCRIPTION	DRFT	DATE
01		PCB板视图变更	方哲盛	2022.11.04

Transfer or duplication of this document as well as the utilization or communication of its content are prohibited unless authorized in writing by the copyright owner. All rights reserved for patent, utility model or design registrations. 除专利权明确标注外, 未经许可, 不得复制或传播。 凡在本文件内标注的专利号, 均受法律保护。 未经许可, 不得复制或传播。 凡在本文件内标注的专利号, 均受法律保护。 未经许可, 不得复制或传播。