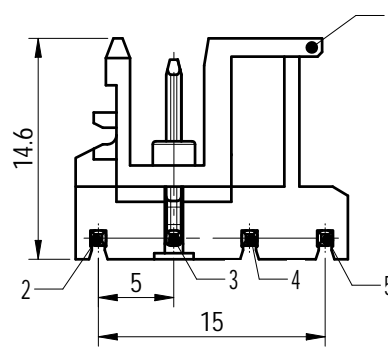
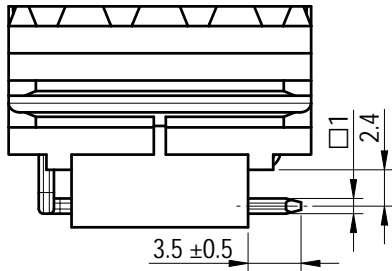
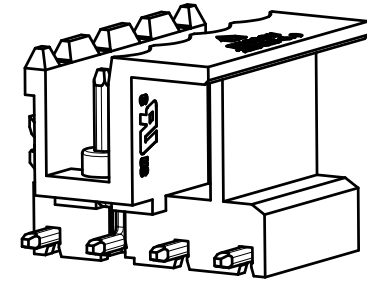
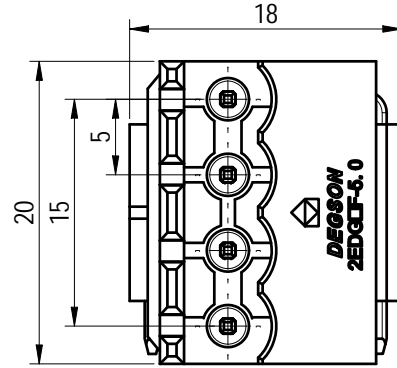
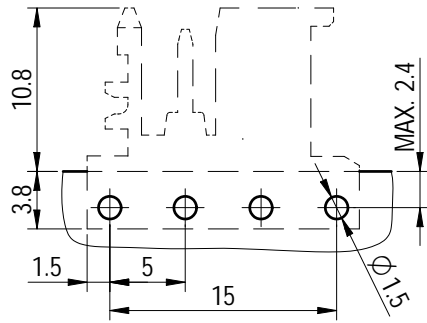


PCB LAYOUT



未注公差/General tolerances (mm)													0.1/10
0	>3	>6	>10	>18	>30	>50	>80	>120	>180	>250	>315	>400	
~3	~6	~10	~18	~30	~50	~80	~120	~180	~250	~315	~400	~500	±2'
±0.12	±0.18	±0.22	±0.26	±0.31	±0.37	±0.57	±0.80	±0.93	±1.05	±1.15	±1.60	±2.20	

ITEM	NAME OF PART	MATERIAL	NOTES
5	Pin4	Copper	Sn Plated
4	Pin2	Copper	Sn Plated
3	Pin1	Copper	Sn Plated
2	Pin3	Copper	Sn Plated
1	Housing	PA66	UL94V-0

UL 标准/UL Standard:	B	C	D
额定电压/电流/Rated Voltage(V)/Current(A)	300/15	/	300/10
IEC 标准/IEC Standard:			
过压类别/Overvoltage Category/污染等级/Pollution Degree	III/3	III/2	II/2
额定电压/电流/Rated Voltage(V)/Current(A)	/	320/20	/
额定脉冲电压(KV)/Rate Impulse Voltage(KV)	/	4	/
使用温度范围/Operating temperature(°C)	-40~+105		
符合RoHS环保要求/Conform to RoHS	Yes		
标准颜色编号/Standard color number: PANTONE / RAL	/		

DEGSON

APPD: 兰春华 2023.07.03
 CHKD: 龚耀志 2023.07.03
 DRFT: 方哲盛 2023.07.03

MATERIAL: SURFACE/COLOR:
 MAT NO./REV: / MAT STATUS: 批量

NAME: 2EDGLF-5.0-04P-1Y-00L(H)

DRAWING NO. 200019372 TYPE CUSTOMER DRAWING DRAWING STATUS 已发布 SCALE 2:1 SHEET 1/1

REV	ECN	DESCRIPTION	DRFT	DATE
02		去掉简化装配, 按实物修订	方哲盛	2023.07.03

Transfer or duplication of this document as well as the utilization or communication of its contents are prohibited unless authorized in writing by the copyright owner. All rights reserved for patent, utility model or design registrations. 除专利权明确授权外, 否则禁止转让、复制、引用、交流本文件的内容。未经权利人许可, 擅自复制或传播本文件内容, 均属于侵权行为, 公司将依法追究法律责任。