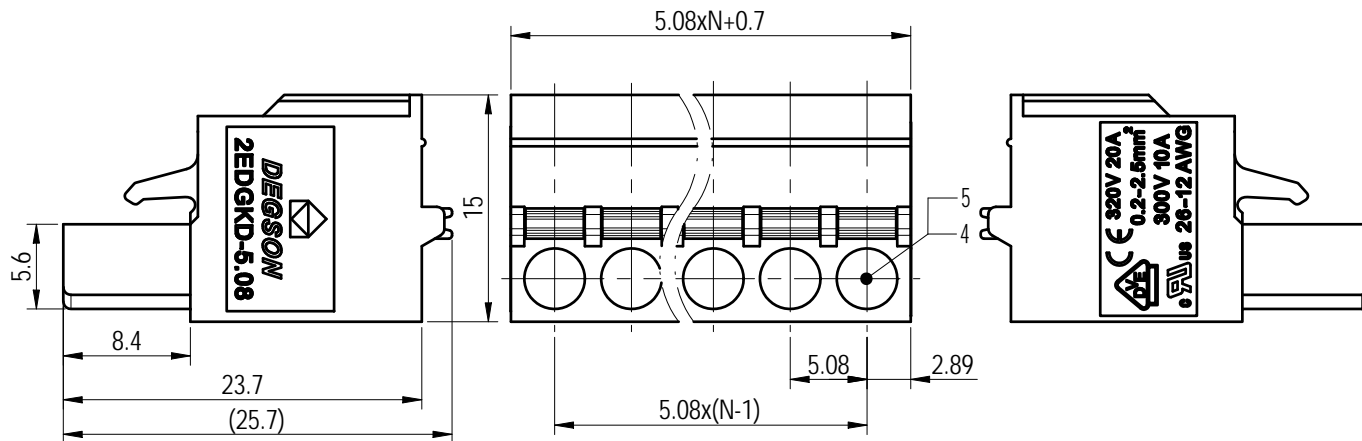
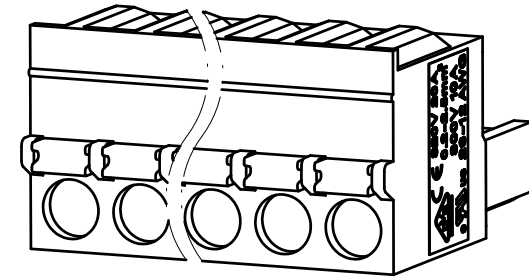
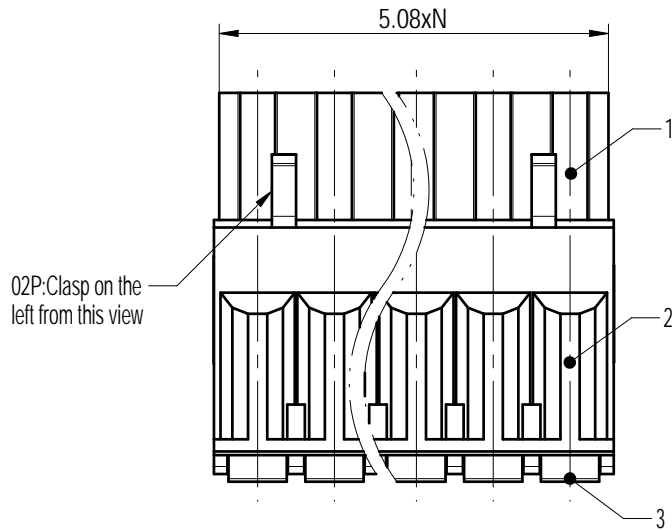


| 未注公差/General tolerances (mm) | | | | | | | | | | | | | 0.1/10 | |
|------------------------------|-------|-------|-------|-------|-------|-------|-------|-------|-------|-------|-------|-------|--------|-----|
| 0 | >3 | >6 | >10 | >18 | >30 | >50 | >80 | >120 | >180 | >250 | >315 | >400 | | |
| ~3 | ~6 | ~10 | ~18 | ~30 | ~50 | ~80 | ~120 | ~180 | ~250 | ~315 | ~400 | ~500 | >500 | |
| ±0.12 | ±0.18 | ±0.22 | ±0.26 | ±0.31 | ±0.37 | ±0.57 | ±0.80 | ±0.93 | ±1.05 | ±1.15 | ±1.60 | ±2.20 | ±2.50 | ±2' |



| ITEM | NAME OF PART | MATERIAL | NOTES |
|------|--------------|-----------------|-----------|
| 5 | Spring | Stainless steel | / |
| 4 | Clamp | Copper Alloy | Sn Plated |
| 3 | Button | PA66 | UL94V-0 |
| 2 | Housing | PA66 | UL94V-0 |
| 1 | Cover | PA66 | UL94V-0 |

| UL 标准/UL Standard: | B | C | D |
|--|----------------|--------|--------|
| 额定电压/电流/Rated Voltage(V)/Current(A) | 300/10 | / | 300/10 |
| IEC 标准/IEC Standard: | | | |
| 过压类别/Overvoltage Category/污染等级/Pollution Degree | III/3 | III/2 | II/2 |
| 额定电压/电流/Rated Voltage(V)/Current(A) | / | 320/20 | / |
| 额定脉冲电压(KV)/Rate Impulse Voltage(KV) | / | 4 | / |
| 螺丝扭矩/Torque Tightening(N·m/Lb.in) | / | | |
| 线径范围(硬线和软线)/Wire Range(rigid and flexible)(AWG/mm ²) | 26~12/ 0.2~2.5 | | |
| 间距/Pitch(mm)/线数范围/Poles | 5.08/N=02~24P | | |
| 剥线长度/Stripping length(mm) | 9~10 | | |
| 使用温度范围/Operating temperature(°C) | -40~+105 | | |
| 符合RoHS环保要求/Conform to RoHS | Yes | | |
| 标准颜色编号/Standard color number: PANTONE / RAL | / | | |



| | | |
|-------|-----|--------------|
| APPD: | 兰春华 | 2022. 11. 01 |
| CHKD: | 龚耀志 | 2022. 11. 01 |
| DRFT: | 刘强 | 2022. 11. 01 |

| | |
|--------------|---------------------|
| MATERIAL: | SURFACE/COLOR: |
| MAT NO./REV: | / 01 MAT STATUS: 批量 |

| | | | |
|------|-----------------------------|--|--|
| NAME | 2EDGKD-5. 08-XXP-1Y-00L (H) | | |
|------|-----------------------------|--|--|

| | | | | | | | | | | | | | | | | | |
|-----|-----|-------------|------|--------------|-------|----|--------------|-------------|-----------|------|------------------|----------------|-----|-------|-----|-------|-----|
| 00 | | | 刘强 | 2022. 11. 01 | DRFT: | 刘强 | 2022. 11. 01 | DRAWING NO. | 200029803 | TYPE | CUSTOMER DRAWING | DRAWING STATUS | 已发布 | SCALE | 2:1 | SHEET | 1/1 |
| REV | ECN | DESCRIPTION | DRFT | DATE | A4 | | (inch) | | | | | | | | | | |

Transfer or duplication of this document as well as the utilization or communication of its contents are prohibited unless authorized in writing by DEGSON. All rights reserved for patent, utility model or design registrations. 除专利、实用新型、外观设计、商标、注册、著作权等文件的所有权外，其他权利均归 DEGSON 所有。未经 DEGSON 书面许可，不得复制或传播本文件内容。