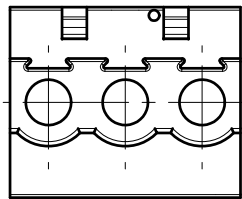
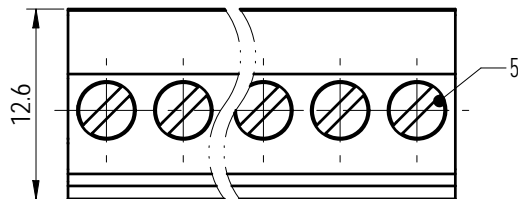


02P

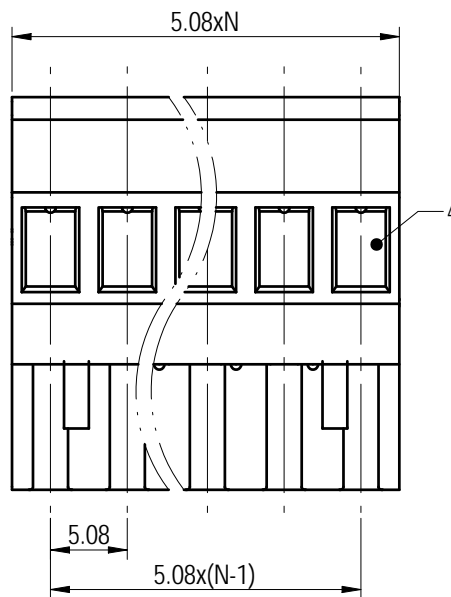
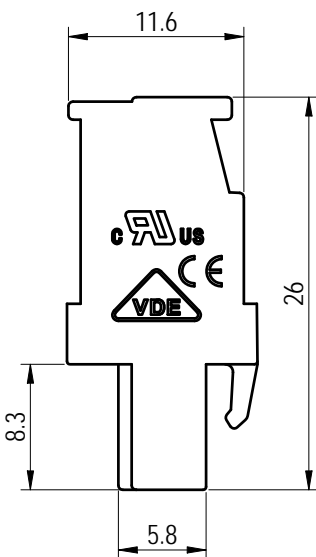


03P



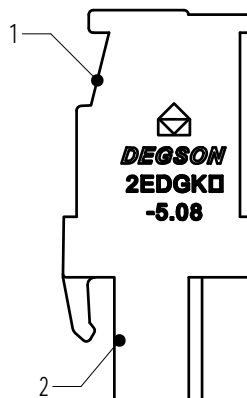
12.6

5



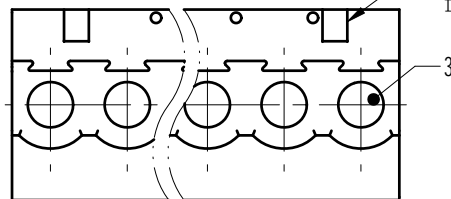
5.08

5.08x(N-1)



1

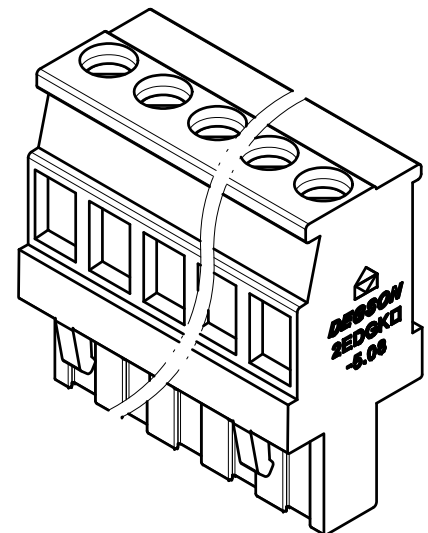
2



02P: Clasp on the right from this view

3

未注公差/General tolerances (mm)													0.1/10		
0	>3	>6	>10	>18	>30	>50	>80	>120	>180	>250	>315	>400	>500	0.1/10	±2'
~3	~6	~10	~18	~30	~50	~80	~120	~180	~250	~315	~400	~500			
±0.12	±0.18	±0.22	±0.26	±0.31	±0.37	±0.57	±0.80	±0.93	±1.05	±1.15	±1.60	±2.20	±2.50		



ITEM	NAME OF PART	MATERIAL	NOTES
5	Screw	Steel	M3/Zn Plated
4	Cage	Copper alloy	M3/Ni Plated
3	Clamp	Copper alloy	Sn Plated
2	Cover	PA66	UL94V-0
1	Housing	PA66	UL94V-0

UL 标准/UL Standard:	B	C	D
额定电压/电流/Rated Voltage(V)/Current(A)	300/15	/	300/10
IEC 标准/IEC Standard:			
过压类别/Overvoltage Category/污染等级/Pollution Degree	III/3	III/2	II/2
额定电压/电流/Rated Voltage(V)/Current(A)	/	320/18	/
额定脉冲电压(KV)/Rate Impulse Voltage(KV)	/	4	/
螺丝扭矩/Torque Tightening(N·m/Lb.in)	M3, 0.66/6		
线径范围(硬线和软线)/Wire Range (rigid and flexible)(AWG/mm <sup>2</sup> )	28~12/ 1.0~2.5		
间距/Pitch(mm)/线数范围/Poles	5.08/N=02~24P		
剥线长度/Stripping length(mm)	7		
使用温度范围/Operating temperature(°C)	-40~+105		
符合RoHS环保要求/Conform to RoHS	Yes		
标准颜色编号/Standard color number: PANTONE / RAL	/		

<b>DEGSON</b>		MATERIAL:	SURFACE/COLOR:
APPD: 兰春华	2022.11.14	MAT NO./REV:	/ 00
CHKD: 龚耀志	2022.11.11	MAT STATUS: 批量	
DRFT: 胡松	2022.11.11	NAME	
2EDGKA-5.08-XXP-1Y-1000L (H)			
DRAWING NO.	TYPE	DRAWING STATUS	SCALE
200101574	CUSTOMER DRAWING	已发布	2:1
SHEET		SHEET	
1/1		1/1	

REV	ECN	DESCRIPTION	DRFT	DATE
00			胡松	2022.11.11

Transfer or duplication of this document as well as the utilization or communication of its contents are prohibited unless authorized in writing. All rights reserved for patent, utility model or design registrations. 除专利、实用新型、外观设计、集成电路布图设计、软件著作权等知识产权外，其他权利均归本公司所有。未经许可，不得复制或传播。