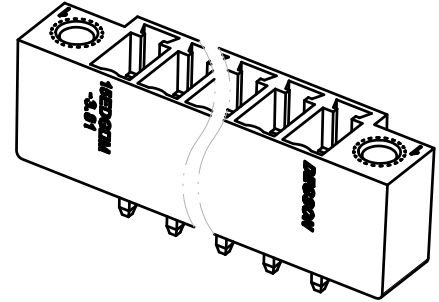
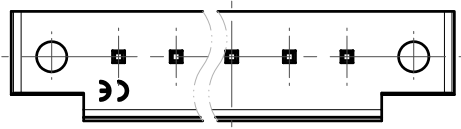
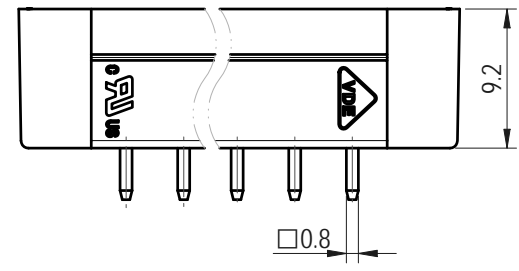
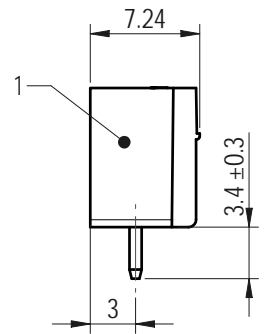
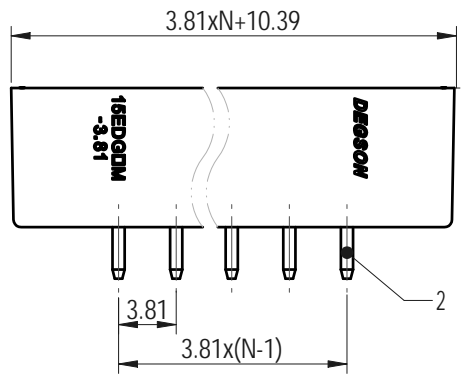
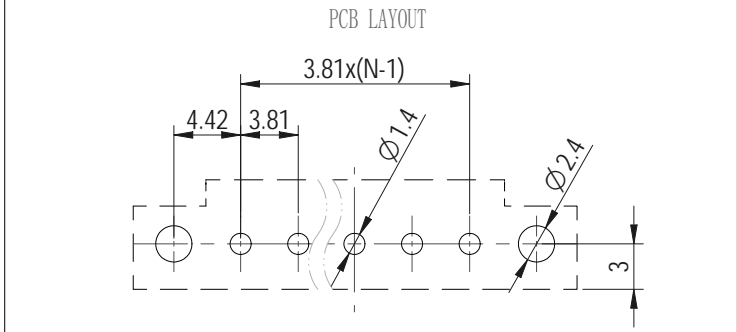
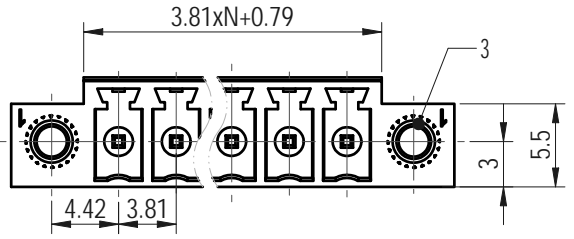


Transfer or duplication of this document as well as the utilization or communication of its contents are prohibited unless authorized in writing by DEGSON. All rights reserved for patent, utility model or design registrations. 除专利、实用新型、外观设计、软件著作权等权利外，其他权利均归德松公司所有。未经许可，不得复制或传播本文件内容。

未注公差/General tolerances (mm)												0.1/10 ±2'		
0 ~ 3	>3 ~ 6	>6 ~ 10	>10 ~ 18	>18 ~ 30	>30 ~ 50	>50 ~ 80	>80 ~ 120	>120 ~ 180	>180 ~ 250	>250 ~ 315	>315 ~ 400		>400 ~ 500	>500
±0.12	±0.18	±0.22	±0.26	±0.31	±0.37	±0.57	±0.80	±0.93	±1.05	±1.15	±1.60	±2.20	±2.50	



3	Nut	Copper alloy	M2.5
2	Pin	Copper alloy	Sn Plated
1	Housing	PA66	UL94V-0
ITEM	NAME OF PART	MATERIAL	NOTES

UL 标准/UL Standard:	B	C	D
额定电压/电流/Rated Voltage(V)/Current(A)	300/8	/	300/8
IEC 标准/IEC Standard:			
过压类别/Overvoltage Category/污染等级/Pollution Degree	III/3	III/2	II/2
额定电压/电流/Rated Voltage(V)/Current(A)	/	/	250/7
额定脉冲电压(KV)/Rate Impulse Voltage(KV)	/	/	2.5
间距/Pitch(mm)/线数范围/Poles	3.81/N=02~24P		
使用温度范围/Operating temperature(°C)	-40~+105		
符合RoHS环保要求/Conform to RoHS	Yes		

DEGSON		MATERIAL:	SURFACE/COLOR:	
APPD: 兰春华	2022.09.06	MAT NO./REV: / 00	MAT STATUS:	
CHKD: 龚耀志	2022.09.06	NAME		
DRFT: 周锡锦	2022.09.06	15EDGVM-3.81-XXP-1Y-00L(H)		
DRAWING NO. 200029734	TYPE CUSTOMER DRAWING	DRAWING STATUS work	SCALE 2:1	SHEET 1/1

REV	ECN	DESCRIPTION	DRFT	DATE
01		1x. 图面纠错, 增加刻字M	周锡锦	2022.09.06