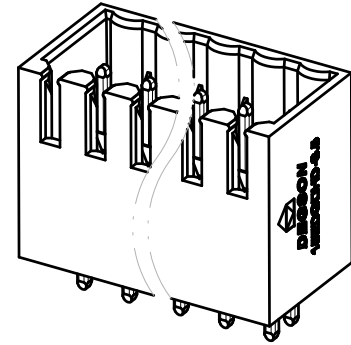
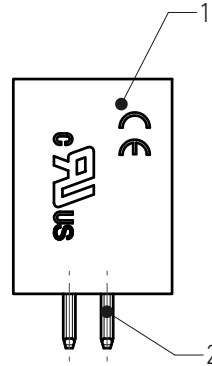
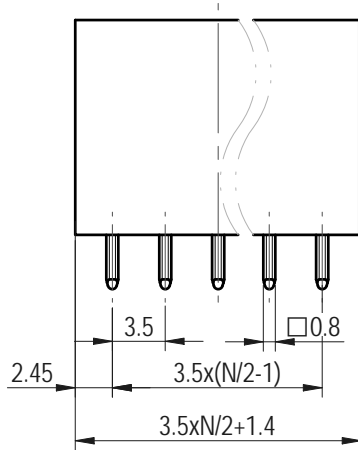
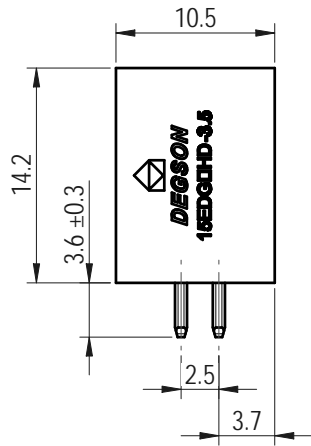
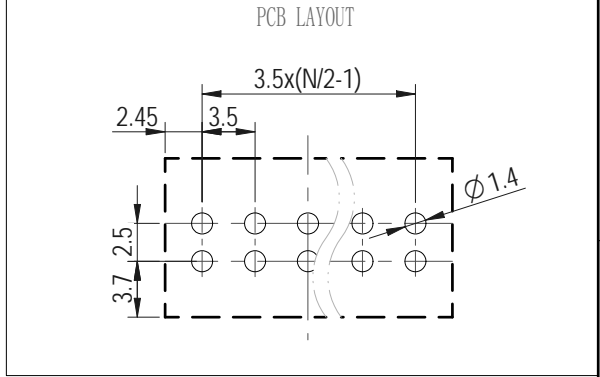
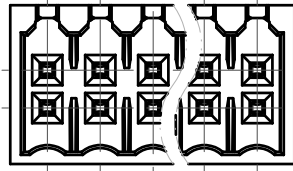


Transfer or duplication of this document as well as the utilization or communication of its contents are prohibited unless authorization is granted. Violations will be liable for compensation. All rights reserved for patent, utility model or design registrations. 除专利等明确标注外，否则禁止转让、复制、引用、交流等文件的传播。未经授权使用或传播，侵权者需承担法律责任。本公司保留对涉及发明、实用新型和外观设计的所有权利。

公差/General tolerances (mm)													0.1/10	
0	>3	>6	>10	>18	>30	>50	>80	>120	>180	>250	>315	>400		>500
±0.12	±0.18	±0.22	±0.26	±0.31	±0.37	±0.57	±0.80	±0.93	±1.05	±1.15	±1.60	±2.20	±2.50	±2'



ITEM	NAME OF PART	MATERIAL	NOTES
2	Pin	Copper	Sn Plated
1	Housing	PA66	UL94V-0

UL 标准/UL Standard:	B	C	D
额定电压/电流/Rated Voltage(V)/Current(A)	150/10	50/10	/
IEC 标准/IEC Standard:			
过压类别/Overvoltage Category/污染等级/Pollution Degree	III/3	III/2	II/2
额定电压/电流/Rated Voltage(V)/Current(A)	80/10	160/10	320/10
额定脉冲电压(KV)/Rate Impulse Voltage(KV)	2.5	2.5	2.5
间距/Pitch(mm)/线数范围/Poles	3.5/N=04~48P		
使用温度范围/Operating temperature(°C)	-40~+105		
符合RoHS环保要求/Conform to RoHS	Yes		

APPD: 兰春华	2022.11.16
CHKD: 龚耀志	2022.11.16
DRFT: 周锡锦	2022.11.16

MATERIAL:	SURFACE/COLOR:		
MAT NO./REV:	/ 00	MAT STATUS:	
NAME			
15EDGVHD-3.5-XXP-1Y-00L(H)			
DRAWING NO.	TYPE	DRAWING STATUS	SCALE
200029733	CUSTOMER DRAWING	被替代	2:1
SHEET		1/1	

REV	ECN	DESCRIPTION	DRFT	DATE
01			周锡锦	2022.11.16

