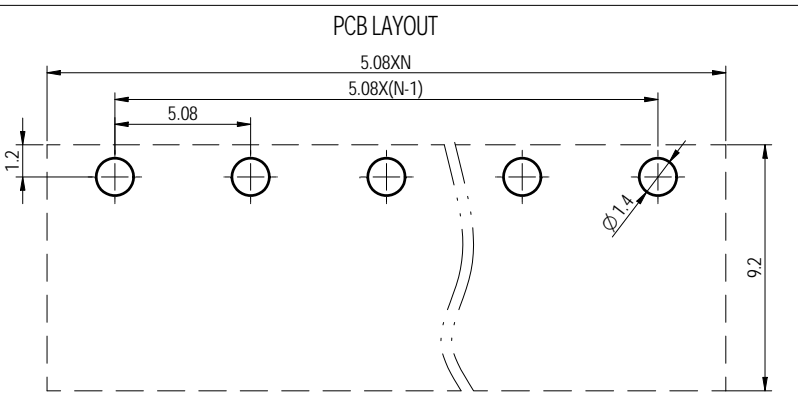
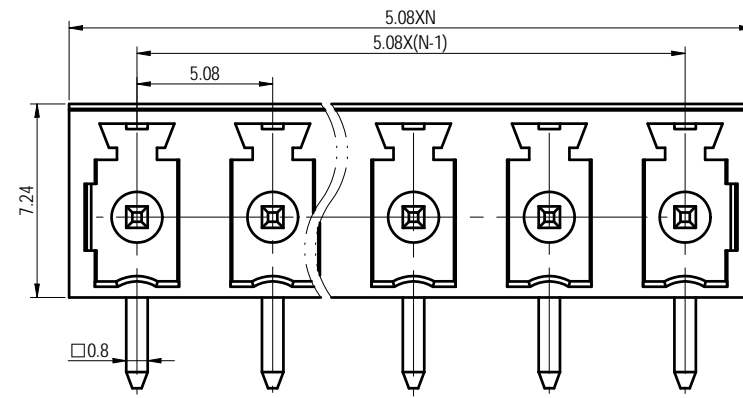
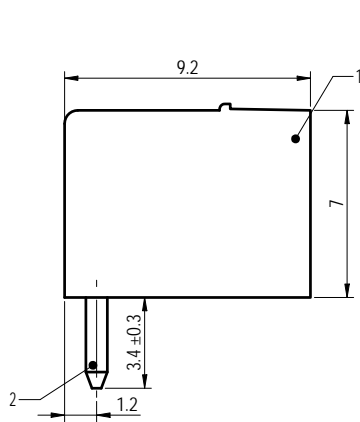
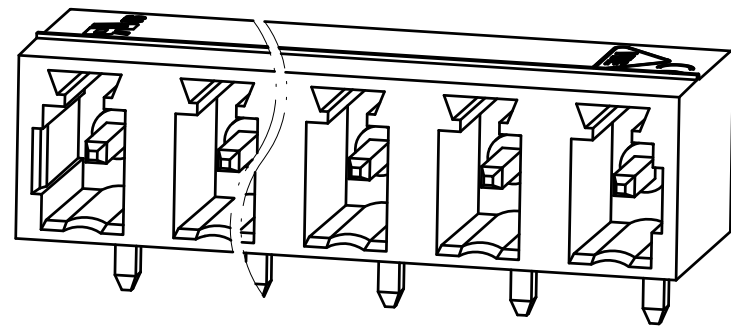
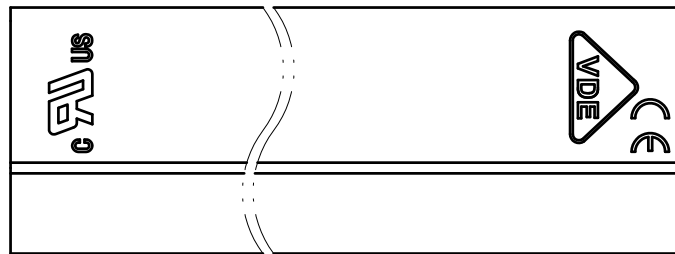


公差/General tolerances (mm)											D			
0	>3	>6	>10	>18	>30	>50	>80	>120	>180	>250	>315	>400	>500	0.1/10
~	~	~	~	~	~	~	~	~	~	~	~	~	~	N
±0.12	±0.18	±0.22	±0.26	±0.31	±0.37	±0.57	±0.80	±0.93	±1.05	±1.15	±1.60	±2.20	±2.50	±2



2	Pin	Copper alloy	Sn Plated
1	Housing	PA66	UL94V-0
ITEM	NAME OF PART	MATERIAL	NOTES

UL 标准/UL Standard:		B	C	D
额定电压/电流/Rated Voltage(V)/Current(A)		300/8	/	300/8
IEC 标准/IEC Standard:				
过压类别/Overvoltage Category/污染等级/Pollution Degree		III/3	III/2	II/2
额定电压/电流/Rated Voltage(V)/Current(A)		/	/	450/7
额定脉冲电压(KV)/Rate Impulse Voltage(KV)		/	/	4
间距/Pitch(mm)/线数范围/Poles		5.08/N=02~12P		
使用温度范围/Operating temperature(°C)		-40~+105		
符合RoHS环保要求/Conform to RoHS		Yes		
标准颜色编号/Standard color number: PANTONE / RAL		/		

<b>DIIGSON</b>		MATERIAL:		SURFACE/COLOR:	
APPD: 兰春华	2022.10.14	NAME:		15EDGRC-5.08-XXP-1Y-00L(H)	
CHKD: 黄耀志	2022.10.14	MAT NO./REV: / 00		MAT STATUS: 批量	

00				方哲盛	2022.10.14
REV	ECN	DESCRIPTION	DRFT	DATE	
④					A3

DRAWING NO.	TYPE	DRAWING STATUS	SCALE	SHEET
200019408	CUSTOMER DRAWING	已发布	1:1	1/1

Transfer or duplication of this document as well as the utilization of its contents without the written consent of the manufacturer is prohibited. All rights reserved for patent. 复制或再行发布此文件以及在没有制造商书面同意的情况下使用其内容均是被禁止的。所有权利均保留专利。 未经制造商书面同意，不得复制或再行发布此文件。 版权所有，侵权必究。