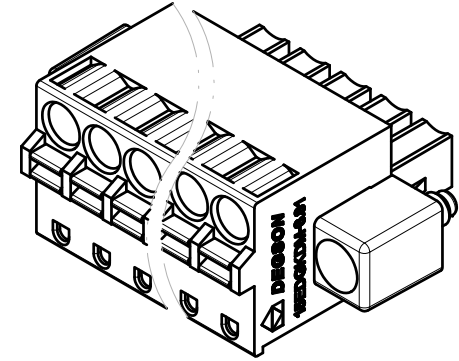
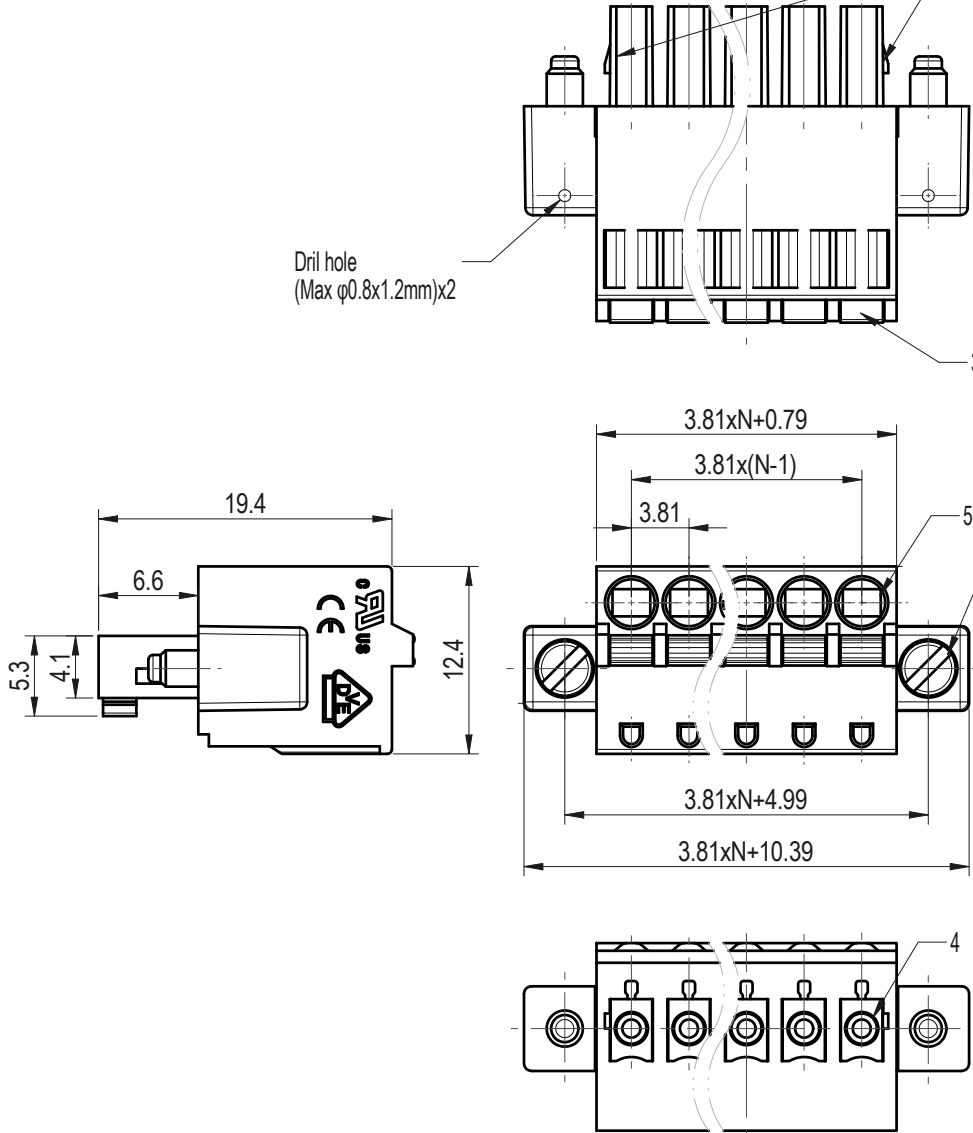


未注公差/General tolerances (mm)													0.1/10 ±2'
0	>3	>6	>10	>18	>30	>50	>80	>120	>180	>250	>315	>400	
~3	~6	~10	~18	~30	~50	~80	~120	~180	~250	~315	~400	~500	>500
±0.12	±0.18	±0.22	±0.26	±0.31	±0.37	±0.57	±0.80	±0.93	±1.05	±1.15	±1.60	±2.20	±2.50

Only 02-06 Poles
with the salients on both sides

Drill hole
(Max φ0.8x1.2mm)x2



ITEM	NAME OF PART	MATERIAL	NOTES
6	Screw	Steel	M2.5/Zn Plated
5	Spring	Stainless steel	/
4	Clamp	Copper alloy	Sn Plated
3	Button	POM	UL94HB
2	Cover	PA66	UL94V-0
1	Housing	PA66	UL94V-0

UL 标准/UL Standard:	B	C	D
额定电压/电流/Rated Voltage(V)/Current(A)	300/8	/	300/8
IEC 标准/IEC Standard:			
过压类别/Overvoltage Category/污染等级/Pollution Degree	III/3	III/2	II/2
额定电压/电流/Rated Voltage(V)/Current(A)	250/12	/	/
额定脉冲电压(KV)/Rate Impulse Voltage(KV)	2.5	/	/
线径范围(硬线和软线)/Wire Range(rigid and flexible)(AWG/mm ²)	28~16 / 0.2~1.5		
间距/Pitch(mm)/线数范围/Poles	3.81/N=02~20P		
剥线长度/Stripping length(mm)	9		
使用温度范围/Operating temperature(°C)	-40~-105		
符合RoHS环保要求/Conform to RoHS	Yes		

MATERIAL:		SURFACE/COLOR:	
MAT NO./REV:		MAT STATUS:	
APPD: 兰春华	2022.08.18	NAME	
CHKD: 龚耀志	2022.08.17	15EDGKDM-3.81-XXP-1Y-00L(H)	
DRFT: 周锡锦	2022.08.17	DRAWING NO.	TYPE
		200103301	CUSTOMER DRAWING
		DRAWING STATUS	SCALE
		已发布	2:1
		SHEET	1/1

REV	ECN	DESCRIPTION	DRFT	DATE
00			周锡锦	2022.08.17

Transfer or duplication of this document as well as the utilization or communication of its content are prohibited unless authorized in writing. All rights reserved for patent, utility model or design registrations. 除专利、实用新型、外观设计注册外，其他内容均受法律保护。未经许可，不得复制或传播。 版权所有，侵权必究。