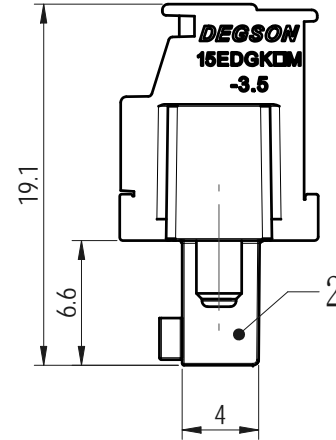
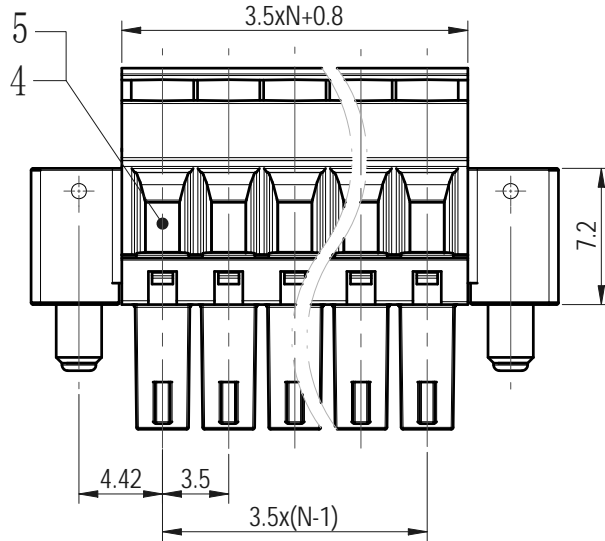
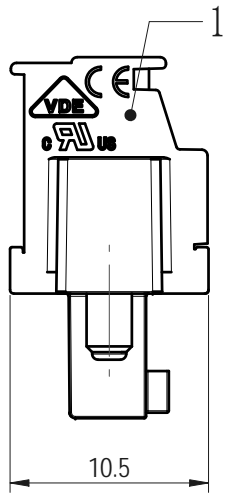
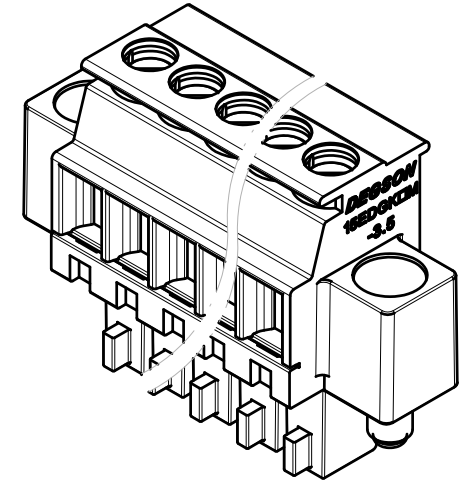
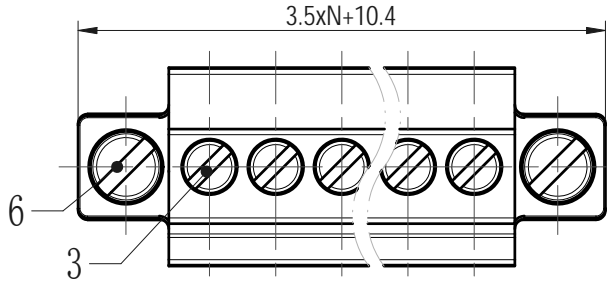


未注公差/General tolerances (mm)													0.1/10	
0 ~ 3	>3 ~ 6	>6 ~ 10	>10 ~ 18	>18 ~ 30	>30 ~ 50	>50 ~ 80	>80 ~ 120	>120 ~ 180	>180 ~ 250	>250 ~ 315	>315 ~ 400	>400 ~ 500		>500
±0.12	±0.18	±0.22	±0.26	±0.31	±0.37	±0.57	±0.80	±0.93	±1.05	±1.15	±1.60	±2.20	±2.50	±2'



ITEM	NAME OF PART	MATERIAL	NOTES
6	Screw2	Steel	M2.5/Zn Plated
5	Clamp	Copper alloy	Sn Plated
4	Cage	Copper alloy	M2/Ni Plated
3	Screw1	Steel	M2/Zn Plated
2	Cover	PA66	UL94V-0
1	Housing	PA66	UL94V-0
UL 标准/UL Standard:			
额定电压/电流/Rated Voltage(V)/Current(A)		B 300/8	C / D 300/8
IEC 标准/IEC Standard:			
过压类别/Overvoltage Category/污染等级/Pollution Degree		III/3	III/2 II/2
额定电压/电流/Rated Voltage(V)/Current(A)		/	/ 250/7
额定脉冲电压(KV)/Rate Impulse Voltage(KV)		/	/ 2.5
螺丝扭矩/Torque Tightening(N·m/Lb.in)		M2, 0.2/1.77	
线径范围(硬线和软线)/Wire Range(rigid and flexible)(AWG/mm²)		28~16 / 0.5~1.5	
间距/Pitch(mm)/线数范围/Poles		3.5/N=02~22P	
剥线长度/Stripping length(mm)		6~7	
使用温度范围/Operating temperature(°C)		-40~+105	
符合RoHS环保要求/Conform to RoHS		Yes	

		MATERIAL:	SURFACE/COLOR:		
		MAT NO./REV:	MAT STATUS:		
APPD: 兰春华	2023.02.01	NAME			
CHKD: 龚耀志	2023.02.01	15EDGKAM-3.5-XXP-1Y-100L(H)			
DRFT: 朱岳鹏	2023.01.31	DRAWING NO.	TYPE	DRAWING STATUS	SCALE
		200020019	CUSTOMER DRAWING	已发布	2.5:1
					SHEET 1/1

REV	ECN	DESCRIPTION	DRFT	DATE
00			朱岳鹏	2023.01.31

Transfer or duplication of this document as well as the utilization or summarization of its contents are prohibited unless authorized in writing by DEGSON. All rights reserved for patent, utility model or design registrations. 除专利等文件外，其他文件均受版权保护。未经 DEGSON 书面许可，不得复制或传播。所有权利保留。