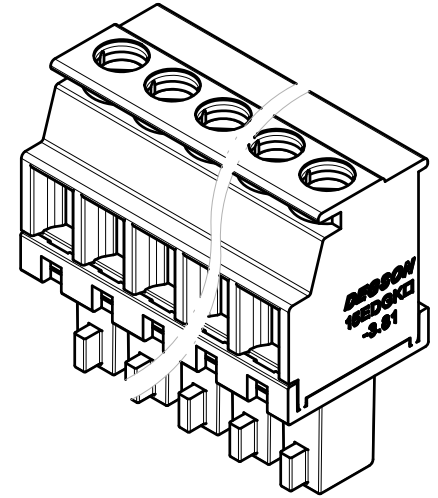
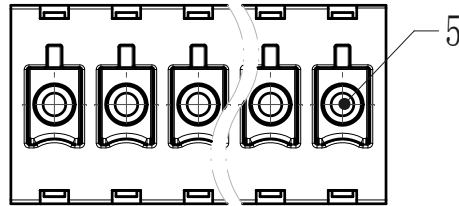
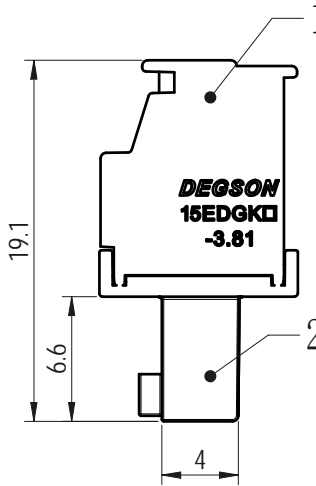
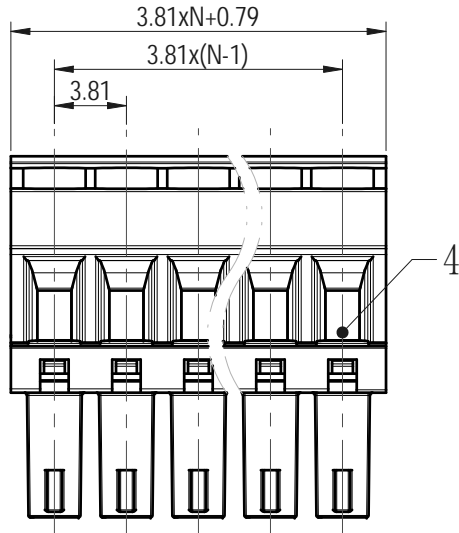
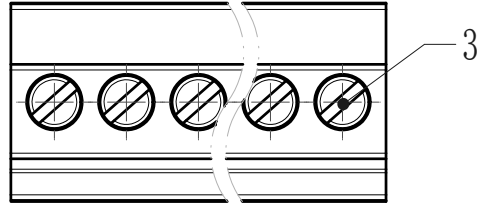
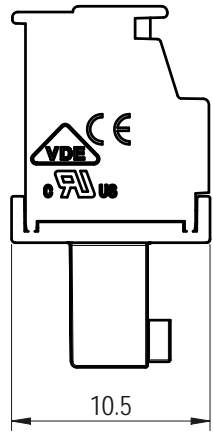


| 未注公差/General tolerances (mm) | | | | | | | | | | | | 0.1/10 | |
|------------------------------|-------|-------|-------|-------|-------|-------|-------|-------|-------|-------|-------|--------|-------|
| 0 | >3 | >6 | >10 | >18 | >30 | >50 | >80 | >120 | >180 | >250 | >315 | | >400 |
| ~3 | ~6 | ~10 | ~18 | ~30 | ~50 | ~80 | ~120 | ~180 | ~250 | ~315 | ~400 | ~500 | >500 |
| ±0.12 | ±0.18 | ±0.22 | ±0.26 | ±0.31 | ±0.37 | ±0.57 | ±0.80 | ±0.93 | ±1.05 | ±1.15 | ±1.60 | ±2.20 | ±2.50 |



| ITEM | NAME OF PART | MATERIAL | NOTES |
|------|--------------|--------------|--------------|
| 5 | Clamp | Copper alloy | Sn Plated |
| 4 | Cage | Copper alloy | M2/Ni Plated |
| 3 | Screw | Steel | M2/Zn Plated |
| 2 | Cover | PA66 | UL94V-0 |
| 1 | Housing | PA66 | UL94V-0 |

| UL 标准/UL Standard: | B | C | D |
|---|-----------------|-------|-------|
| 额定电压/电流/Rated Voltage(V)/Current(A) | 300/8 | / | 300/8 |
| IEC 标准/IEC Standard: | | | |
| 过压类别/Overvoltage Category/污染等级/Pollution Degree | III/3 | III/2 | II/2 |
| 额定电压/电流/Rated Voltage(V)/Current(A) | / | / | 250/7 |
| 额定脉冲电压(KV)/Rate Impulse Voltage(KV) | / | / | 2.5 |
| 螺丝扭矩/Torque Tightening(N·m/Lb.in) | M2, 0.2/1.77 | | |
| 线径范围(硬线和软线)/Wire Range(rigid and flexible)(AWG/mm²) | 28~16 / 0.5~1.5 | | |
| 间距/Pitch(mm)/线数范围/Poles | 3.81/N=02~24P | | |
| 剥线长度/Stripping length(mm) | 6~7 | | |
| 使用温度范围/Operating temperature(°C) | -40~+105 | | |
| 符合RoHS环保要求/Conform to RoHS | Yes | | |

| | | | | | |
|----------------------|------------------|-----------------------------|----------------|-------|--|
| | | MATERIAL: | SURFACE/COLOR: | | |
| APPD: 兰春华 2022.08.22 | | MAT NO./REV: | / 00 | | |
| CHKD: 龚耀志 2022.08.22 | | NAME | | | |
| DRFT: 朱岳鹏 2022.08.19 | | 15EDGKA-3.81-XXP-1Y-100L(H) | | | |
| DRAWING NO. | TYPE | DRAWING STATUS | SCALE | SHEET | |
| 200103857 | CUSTOMER DRAWING | 已发布 | 2.5:1 | 1/1 | |

| REV | ECN | DESCRIPTION | DRFT | DATE |
|-----|-----|-------------|------|------------|
| 00 | | | 朱岳鹏 | 2022.08.19 |

Transfer or duplication of this document as well as the utilization or communication of its contents are prohibited unless authorized in writing. All rights reserved for patent, utility model or design registrations. 除专利、实用新型、外观设计注册外，其他内容均受法律保护。未经许可，不得复制或传播。 本公司保留对涉及发明、实用新型及外观设计的所有权利。