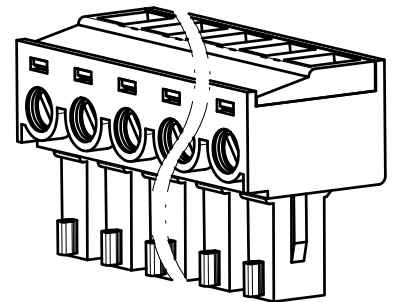
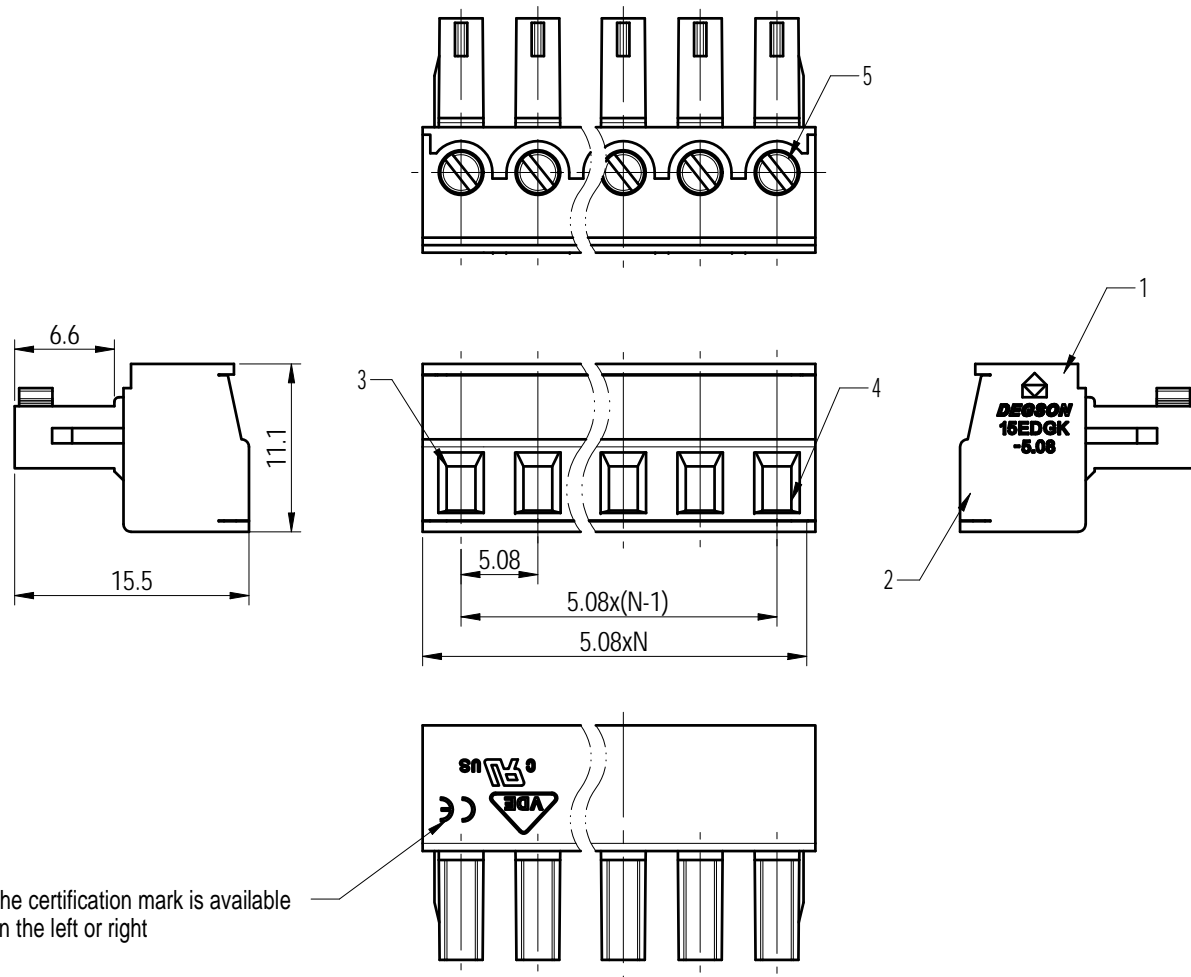


未注公差/General tolerances (mm)													0.1/10
0	>3	>6	>10	>18	>30	>50	>80	>120	>180	>250	>315	>400	
~3	~6	~10	~18	~30	~50	~80	~120	~180	~250	~315	~400	~500	>500
±0.12	±0.18	±0.22	±0.26	±0.31	±0.37	±0.57	±0.80	±0.93	±1.05	±1.15	±1.60	±2.20	±2.50

Transfer or duplication of this document as well as the utilization or communication of its contents are prohibited unless authorized in writing. All rights reserved for patent, utility model or design registrations. 除专利、实用新型、外观设计注册外，未经许可，不得复制或传播本文件内容。本公司保留对涉及发明、实用新型及外观设计的所有权利。



ITEM	NAME OF PART	MATERIAL	NOTES
5	Screw	Steel	M2/Zn Plated
4	Cage	Copper alloy	M2/Ni Plated
3	Clamp	Copper alloy	Sn Plated
2	Cover	PA66	UL94V-0
1	Housing	PA66	UL94V-0

The certification mark is available on the left or right

UL 标准/UL Standard:	B	C	D
额定电压/电流/Rated Voltage(V)/Current(A)	300/8	/	300/8
IEC 标准/IEC Standard:			
过压类别/Overvoltage Category/污染等级/Pollution Degree	III/3	III/2	II/2
额定电压/电流/Rated Voltage(V)/Current(A)	/	/	450/7
额定脉冲电压(KV)/Rate Impulse Voltage(KV)	/	/	4
螺丝扭矩/Torque Tightening(N·m/Lb.in)	M2, 0.2/1.77		
线径范围(硬线和软线)/Wire Range(rigid and flexible)(AWG/mm²)	28~16/ 0.5~1.5		
间距/Pitch(mm)/线数范围/Poles	5.08/N=02~12P		
剥线长度/Stripping length(mm)	6~7		
使用温度范围/Operating temperature(°C)	-40~+105		
符合RoHS环保要求/Conform to RoHS	Yes		

DEGSON		MATERIAL:	SURFACE/COLOR:
APPD: 兰春华	2022.07.19	MAT NO./REV: / 00	MAT STATUS: 批量
CHKD: 龚耀志	2022.07.18	NAME	
DRFT: 周锡锦	2022.07.18	15EDGK-5.08-XXP-1Y-00L(H)	
DRAWING NO. 200097894	TYPE CUSTOMER DRAWING	DRAWING STATUS 已发布	SCALE 2:1
SHEET 1/1		SHEET 1/1	

REV	ECN	DESCRIPTION	DRFT	DATE
00			周锡锦	2022.07.18