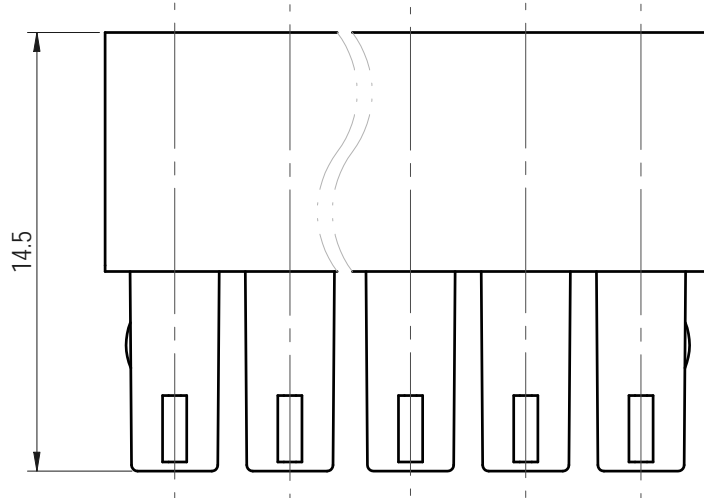
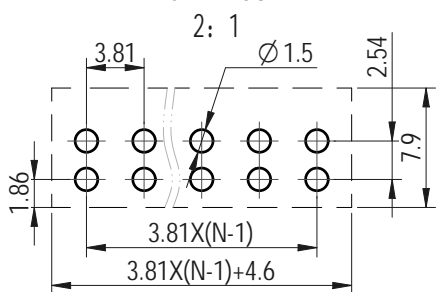
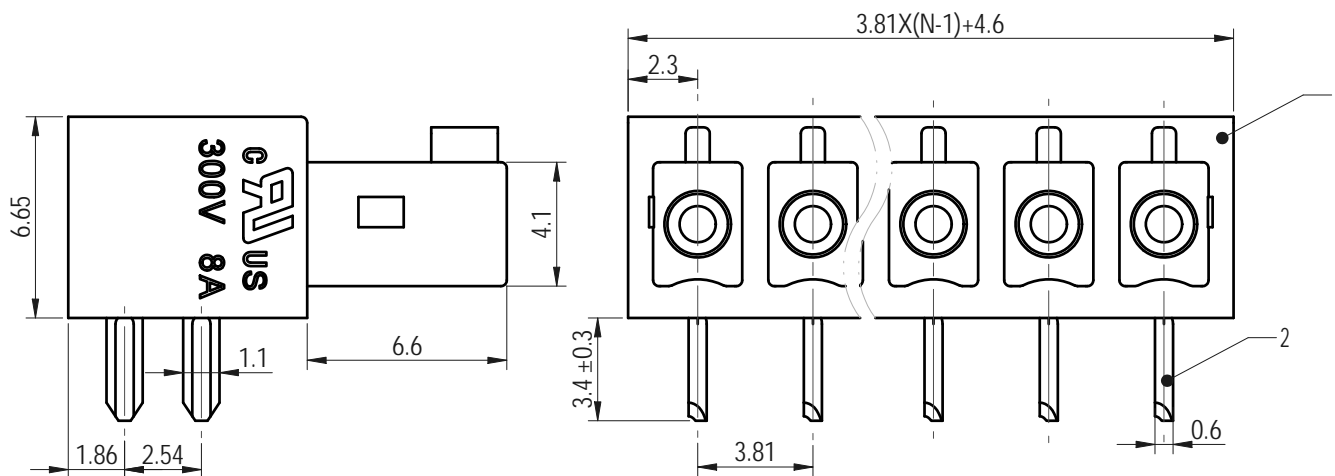
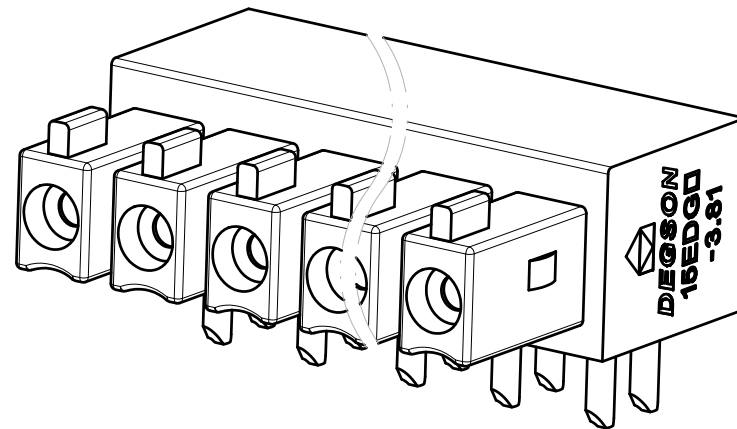


PCB LAYOUT



未注公差/General tolerances (mm)													D 0.1/10
0	>3	>6	>10	>18	>30	>50	>80	>120	>180	>250	>315	>400	
~3	~6	~10	~18	~30	~50	~80	~120	~180	~250	~315	~400	~500	>500
±0.12	±0.18	±0.22	±0.26	±0.31	±0.37	±0.57	±0.80	±0.93	±1.05	±1.15	±1.60	±2.20	±2.50



ITEM	NAME OF PART	MATERIAL	NOTES
2	Clamp	Copper alloy	Sn plated
1	Housing	PA66	UL94V-0

UL 标准/UL Standard:		B	C	D
额定电压/电流/Rated Voltage(V)/Current(A)		300/8	/	/
IEC 标准/IEC Standard:				
过压类别/Overvoltage Category/污染等级/Pollution Degree		III/3	III/2	II/2
额定电压/电流/Rated Voltage(V)/Current(A)		160/7	250/7	320/7
额定脉冲电压(KV)/Rate Impulse Voltage(KV)		2.5	2.5	2.5
间距/Pitch(mm)/线数范围/Poles		3.81/N=02~24P		
使用温度范围/Operating temperature(°C)		-40~+105		
符合RoHS环保要求/Conform to RoHS		Yes		
标准颜色编号/Standard color number: PANTONE / RAL		/		

		MATERIAL:	SURFACE/COLOR:		
APPD: 兰春华 2022.09.15		MAT NO./REV:	/ 00 MAT STATUS:		
CHKD: 龚耀志 2022.09.15		NAME			
DRFT: 方哲盛 2022.09.15		15EDGA-3.81-XXP-1Y-00L(H)			
DRAWING NO. 200019386		TYPE	DRAWING STATUS	SCALE	SHEET
A4		CUSTOMER DRAWING	已发布	4:1	1/1

REV	ECN	DESCRIPTION	DRFT	DATE
00			方哲盛	2022.09.15

Transfer or duplication of this document as well as the utilization or communication of its contents are prohibited unless authorized in writing by DEGSON. All rights reserved for patent. 除专利声明外，其他内容均受法律保护。未经授权，不得复制或传播。 0.1/10