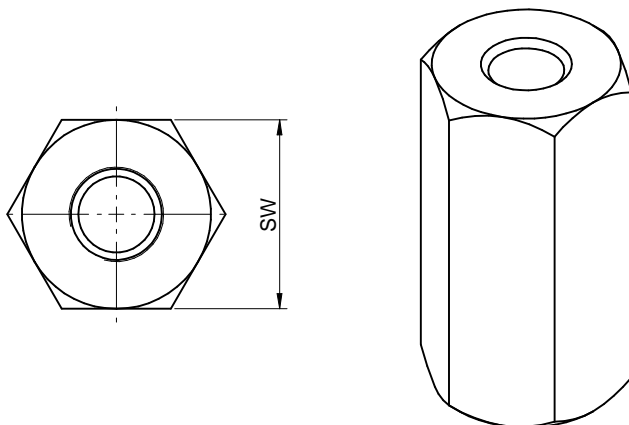
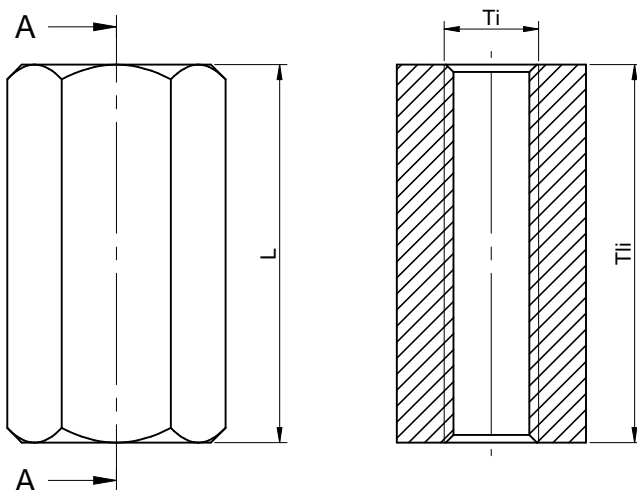


sectional drawing A-A



Surface coating: Gloss zinc-plated

Order Code	L (mm)	Thread Size	Wrench Size
970050151	5	M 2,5	SW 5
970060151	6	M 2,5	SW 5
970070151	7	M 2,5	SW 5
970080151	8	M 2,5	SW 5
970090151	9	M 2,5	SW 5
970100151	10	M 2,5	SW 5
970110151	11	M 2,5	SW 5
970120151	12	M 2,5	SW 5
970050351	5	M 3	SW 5
970100351	10	M 3	SW 5
970150351	15	M 3	SW 5
970200351	20	M 3	SW 5
970050321	5	M 3	SW 5.5
970060321	6	M 3	SW 5.5
970070321	7	M 3	SW 5.5
970080321	8	M 3	SW 5.5
970090321	9	M 3	SW 5.5
970100321	10	M 3	SW 5.5
970110321	11	M 3	SW 5.5
970120321	12	M 3	SW 5.5
970130321	13	M 3	SW 5.5
970140321	14	M 3	SW 5.5
970150321	15	M 3	SW 5.5
970050361	5	M 3	SW 6
970060361	6	M 3	SW 6
970070361	7	M 3	SW 6
970080361	8	M 3	SW 6
970090361	9	M 3	SW 6
970100361	10	M 3	SW 6
970110361	11	M 3	SW 6
970120361	12	M 3	SW 6
970130361	13	M 3	SW 6
970140361	14	M 3	SW 6
970150361	15	M 3	SW 6
970050471	5	M 4	SW 7
970080471	8	M 4	SW 7
970100471	10	M 4	SW 7
970120471	12	M 4	SW 7
970130471	13	M 4	SW 7
970150471	15	M 4	SW 7
970160471	16	M 4	SW 7
970170471	17	M 4	SW 7
970180471	18	M 4	SW 7
970200471	20	M 4	SW 7
970080481	8	M 4	SW 8
970100481	10	M 4	SW 8
970120481	12	M 4	SW 8
970150481	15	M 4	SW 8
970080581	8	M 5	SW 8
970100581	10	M 5	SW 8
970120581	12	M 5	SW 8
970130581	13	M 5	SW 8
970150581	15	M 5	SW 8
970160581	16	M 5	SW 8
970170581	17	M 5	SW 8
970180581	18	M 5	SW 8
970200581	20	M 5	SW 8
970100611	10	M6	SW 10

Würth Elektronik eiSos GmbH & Co. KG  
EMC & Inductive Solutions

Max-Eyth-Str. 1  
74638 Waldenburg  
Germany  
com. +49 79 42 945 - 0

www.we-online.de  
eiSos@we-online.de

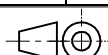


CREATED  
D. Fandrey

CHECKED  
S.Klingler

GENERAL TOLERANCE  
DIN ISO 2768-1m

PROJECTION METHOD



SCALE  
5 : 1

DESCRIPTION  
**AsSSTII**  
**Steel Spacer Stud with Metric Thread, internal/internal**

MATERIAL  
Steel

ORDER CODE  
970 xxx xx1

SIZE  
xxx xxx xxx xxx xxx xxx

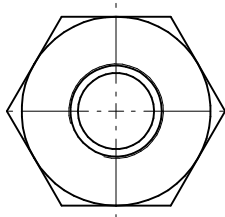
STATUS  
Released

DATE  
2015-03-09

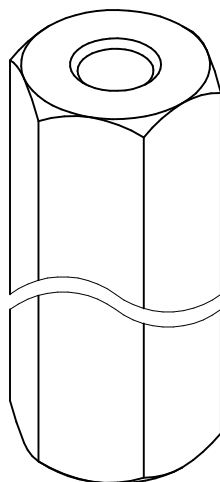
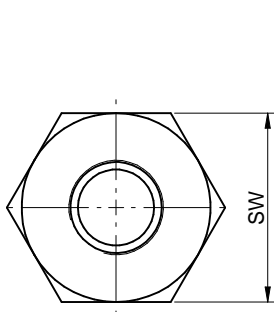
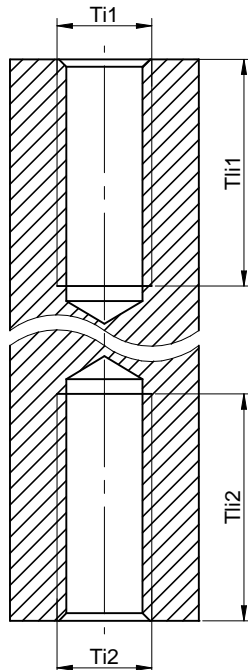
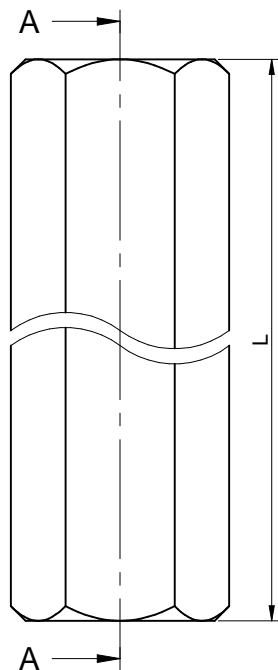
BUSINESS UNIT  
eiCan

PAGE  
1 / 1

This electronic component has been designed and developed for usage in general electronic equipment only. This product is not authorized for use in equipment where a higher safety standard and reliability standard is especially required or where a failure of the product is reasonably expected to cause severe personal injury or death, unless the parties have executed an agreement specifically governing such use. Moreover Würth Elektronik eiSos GmbH & Co KG products are neither designed nor intended for use in areas such as military, aerospace, aviation, nuclear control, submarine, transportation (automotive control, train control, ship control), transportation signal, disaster prevention, medical, public information network etc.. Würth Elektronik eiSos GmbH & Co KG must be informed about the intent of such usage before the design-in stage. In addition, sufficient reliability evaluation checks for safety must be performed on every electronic component which is used in electrical circuits that require high safety and reliability functions or performance.



sectional drawing A-A



Order Code	L (mm)	Tli (mm)	Thread Size	Wrench Size
970140151	14,0	6,0	M 2,5	SW 5
970150151	15,0	6,0	M 2,5	SW 5
970160151	16,0	6,0	M 2,5	SW 5
970170151	17,0	6,0	M 2,5	SW 5
970180151	18,0	6,0	M 2,5	SW 5
970200151	20,0	6,0	M 2,5	SW 5
970220151	22,0	6,0	M 2,5	SW 5
970250151	25,0	8,0	M 2,5	SW 5
970300151	30,0	8,0	M 2,5	SW 5
970160321	16,0	6,0	M 3	SW 5,5
970170321	17,0	6,0	M 3	SW 5,5
970180321	18,0	6,0	M 3	SW 5,5
970190321	19,0	6,0	M 3	SW 5,5
970200321	20,0	6,0	M 3	SW 5,5
970210321	21,0	6,0	M 3	SW 5,5
970220321	22,0	6,0	M 3	SW 5,5
970230321	23,0	6,0	M 3	SW 5,5
970240321	24,0	6,0	M 3	SW 5,5
970250321	25,0	6,0	M 3	SW 5,5
970270321	27,0	6,0	M 3	SW 5,5
970280321	28,0	10,0	M 3	SW 5,5
970300321	30,0	6,0	M 3	SW 5,5
970350321	35,0	6,0	M 3	SW 5,5
970400321	40,0	6,0	M 3	SW 5,5
970450321	45,0	6,0	M 3	SW 5,5
970500321	50,0	6,0	M 3	SW 5,5
970550321	55,0	6,0	M 3	SW 5,5
970600321	60,0	6,0	M 3	SW 5,5
970700321	70,0	6,0	M 3	SW 5,5
970800321	80,0	6,0	M 3	SW 5,5
970170361	17,0	6,0	M 3	SW 6
970180361	18,0	6,0	M 3	SW 6
970200361	20,0	6,0	M 3	SW 6
970220361	22,0	6,0	M 3	SW 6
970250361	25,0	6,0	M 3	SW 6
970270361	27,0	6,0	M 3	SW 6
970280361	28,0	6,0	M 3	SW 6
970300361	30,0	6,0	M 3	SW 6
970350361	35,0	6,0	M 3	SW 6
970370361	37,0	6,0	M 3	SW 6
970380361	38,0	6,0	M 3	SW 6
970400361	40,0	6,0	M 3	SW 6
970420361	42,0	6,0	M 3	SW 6
970450361	45,0	6,0	M 3	SW 6
970500361	50,0	6,0	M 3	SW 6
970550361	55,0	6,0	M 3	SW 6
970600361	60,0	6,0	M 3	SW 6
970250471	25,0	10,0	M 4	SW 7
970300471	30,0	10,0	M 4	SW 7
970350471	35,0	10,0	M 4	SW 7
970400471	40,0	10,0	M 4	SW 7
970450471	45,0	10,0	M 4	SW 7
970500471	50,0	10,0	M 4	SW 7
970600471	60,0	10,0	M 4	SW 7
970700471	70,0	10,0	M 4	SW 7
970800471	80,0	10,0	M 4	SW 7
970170481	17,0	8,0	M 4	SW 8
970180481	18,0	8,0	M 4	SW 8
970200481	20,0	8,0	M 4	SW 8
970220481	22,0	8,0	M 4	SW 8
970230481	23,0	8,0	M 4	SW 8
970250481	25,0	8,0	M 4	SW 8
970270481	27,0	8,0	M 4	SW 8
970300481	30,0	8,0	M 4	SW 8
970320481	32,0	8,0	M 4	SW 8
970350481	35,0	8,0	M 4	SW 8
970400481	40,0	8,0	M 4	SW 8
970450481	45,0	8,0	M 4	SW 8
970500481	50,0	8,0	M 4	SW 8
970600481	60,0	8,0	M 4	SW 8
970950481	95,0	8,0	M 4	SW 8
970220581	22,0	10,0	M 5	SW 8
970250581	25,0	10,0	M 5	SW 8
970280581	28,0	10,0	M 5	SW 8
970300581	30,0	10,0	M 5	SW 8
970350581	35,0	10,0	M 5	SW 8
970400581	40,0	10,0	M 5	SW 8
970450581	45,0	10,0	M 5	SW 8
970500581	50,0	10,0	M 5	SW 8
970600581	60,0	11,0	M 5	SW 8
970650581	65,0	11,0	M 5	SW 8
970400511	40,0	10,0	M5	SW10
970600611	60,0	10,0	M6	SW10

Surface coating: Gloss zinc-plated

Würth Elektronik eiSos GmbH & Co. KG  
EMC & Inductive Solutions

Max-Eyth-Str. 1  
74638 Waldenburg  
Germany  
com. +49 79 42 945 - 0

www.we-online.de  
eiSos@we-online.de



CREATED D. Fandrey	CHECKED S.Klingler	GENERAL TOLERANCE DIN ISO 2768-1m	PROJECTION METHOD 	SCALE 5 : 1
DESCRIPTION <b>AsSSTII</b> <b>Steel Spacer Stud with Metric Thread, internal/internal</b>		MATERIAL Steel		
SIZE xxx xxx xxx xxx xxx xxx		ORDER CODE 970 xxx xx1		
STATUS Released		DATE 2015-03-09	BUSINESS UNIT eiCan	PAGE 1 / 1

This electronic component has been designed and developed for usage in general electronic equipment only. This product is not authorized for use in equipment where a higher safety standard and reliability standard is especially required or where a failure of the product is reasonably expected to cause severe personal injury or death, unless the parties have executed an agreement specifically governing such use. Moreover Würth Elektronik eiSos GmbH & Co KG products are neither designed nor intended for use in areas such as military, aerospace, aviation, nuclear control, submarine, transportation (automotive control, train control, ship control), transportation signal, disaster prevention, medical, public information network etc.. Würth Elektronik eiSos GmbH & Co KG must be informed about the intent of such usage before the design-in stage. In addition, sufficient reliability evaluation checks for safety must be performed on every electronic component which is used in electrical circuits that require high safety and reliability functions or performance.