

NOTES: FINISH

1. MATERIALS AND FINISHES:

- BODY - BRASS, NICKEL PLATING
- CONTACT - BERYLLIUM COPPER, GOLD PLATING
- CONTACT - BRASS, GOLD PLATING
- INSULATOR - PTFE, NATURAL

2. ELECTRICAL:

- A. IMPEDANCE: 50 OHM
- B. DIELECTRIC WITHSTANDING VOLTAGE: 1500 VRMS, MIN.

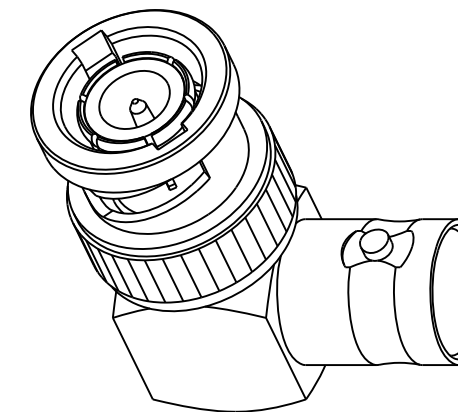
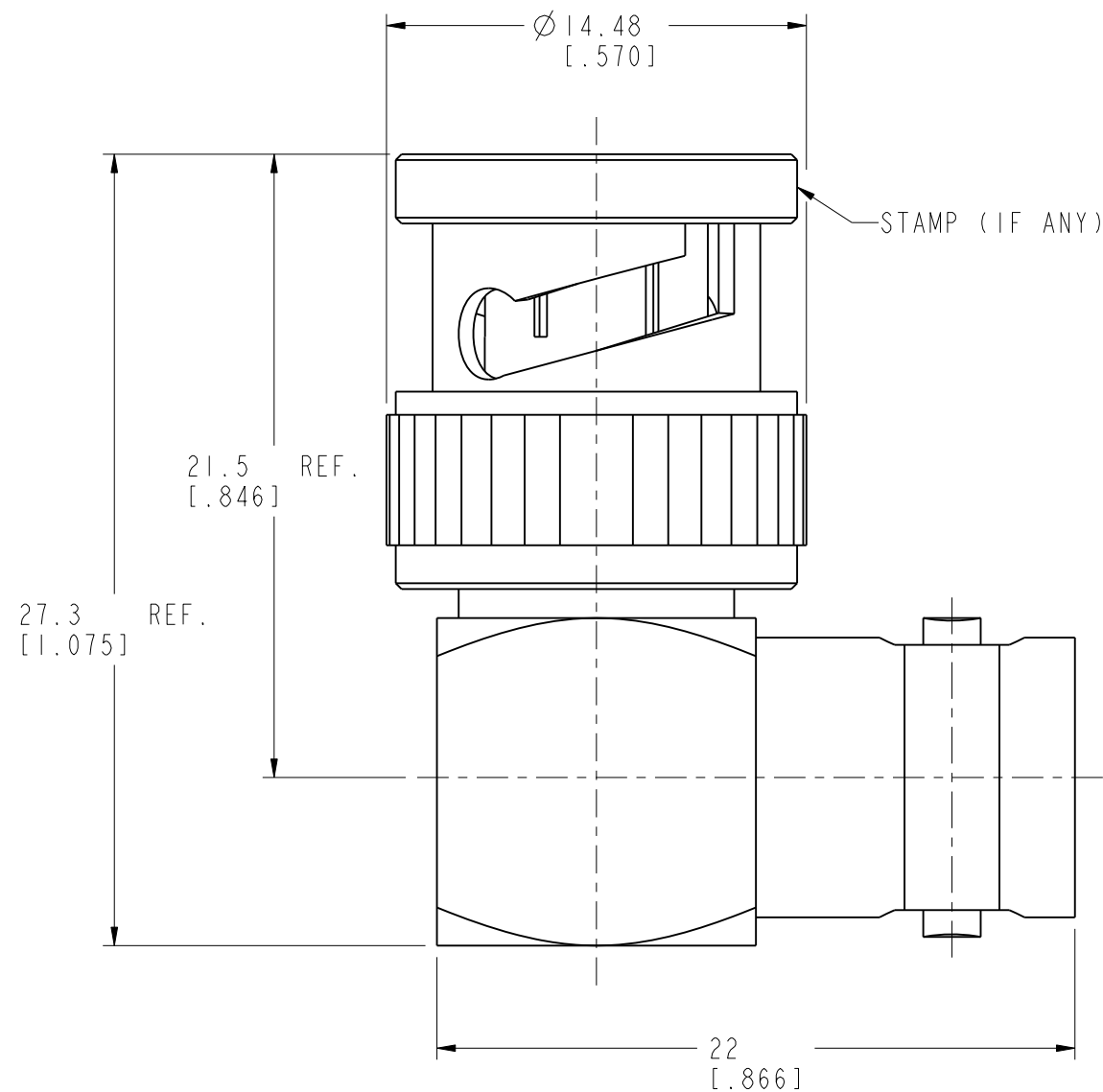
3. MECHANICAL:

- A. DURABILITY: 500 CYCLES MIN.
- B. TEMPERATURE RANGE: -65° C TO +165° C

THIRD ANGLE PROJ.

REVISIONS

REV	DESCRIPTION	DATE	ECO	APPR
--	RELEASE TO MFG.	----	----	----
E	SPRING WAS CHANGED	09-Aug-12	49157	TD



SCALE 2.000

CUSTOMER OUTLINE DRAWING

ALL OTHER SHEETS ARE FOR INTERNAL USE ONLY

UNLESS OTHERWISE SPECIFIED, DIMENSIONS ARE IN METRIC AND TOLERANCES ARE:
 <0.5mm ±0.05mm 0.5 - 6mm ±0.1mm 6 - 30mm ±0.2mm 30 - 120mm ±0.3mm ANGLES ±1°

NOTICE - These drawings, specifications, or other data (1) are, and remain the property of Amphenol corp. (2) must be returned upon request; and (3) are confidential and not to be disclosed to any person other than those to whom they are given by Amphenol Corp. the finishing of these drawings, specifications, or other data by Amphenol Corp., or to any other person to anyone for any purpose is not to be regarded by implication or otherwise in any manner licensing, granting rights to permitting such holder or any other person to manufacture, use or sell any product, process or design, patented or otherwise, that may in any way be related to or disclosed by said drawings, specifications, or other data.

MATERIAL	DRAWN T. DENG	DATE 09-Aug-12	TITLE BNC MALE TO FEMALE R/A ADAPTOR		Amphenol RF Danbury CT USA, Tainan, Taiwan, Shenzhen, China www.amphenolrf.com	
	ENGINEER D. ROYCE	DATE 14-Jun-91				
	REFERENCE EAR 962370-0	APPROVED S. HSIEH	DATE 09-Aug-12	SCALE: 4.0:1.0	SHEET 2 OF 2	DRAWING NO. B5072A1-001-NT3G-50
	CONFIGURATION LEVEL:	CAD FILE I:\BNC\B5072A1-001-NT3G-50		DWG SIZE B	REV E	ITEM NO. 015072AAA00NA5F PART NO. 31-9-RFX