

TABLE 1			
AHSP P/N	LENGTH "A"	AHSP P/N	LENGTH "A"
NJMMEN-0001	1000±20mm	NJMMEN-0018	4500±100mm [2]
NJMMEN-0002	2000±40mm	NJMMEN-0019	5000±100mm [2]
NJMMEN-0003	3000±40mm [2]	NJMMEN-0020	5500±120mm [2]
NJMMEN-0004	1500±30mm	NJMMEN-0021	6000±120mm [2]
NJMMEN-0005	2500±40mm [2]		
NJMMEN-0006	500±20mm		
NJMMEN-0008	400±20mm		
NJMMEN-0009	750±20mm		
NJMMEN-0010	1250±20mm		
NJMMEN-0011	1750±30mm		
NJMMEN-0012	2250±40mm [2]		
NJMMEN-0013	2750±40mm [2]		
NJMMEN-0014	3250±60mm [2]		
NJMMEN-0015	3500±60mm [2]		
NJMMEN-0016	4000±80mm [2]		
NJMMEN-0017	800±20mm		

REVISIONS						
ZONE	REV.	ECN NUMBER	DESCRIPTION	BY	DATE	APPROVED
	3.0	DDYR-22090601	ADDED NEW P/N -0016 TO TABLE 1.	D.DAI	09/08/2022	M.HUSSAIN
	4.0	RGAO-23010601	ADDED NEW PN -0017 IN TABLES 1. CORRECT SCHEMATIC	D.YU	01/06/2023	C.DENG
	A	DDYR-23022001	ADDED NEW P/NS -0018 THROUGH -0021. ALPHA RELEASE.	N.ZENG	02/27/2023	MK

NOTE: ONLY THREE MOST RECENT RELEASED REVISIONS DISPLAYED.

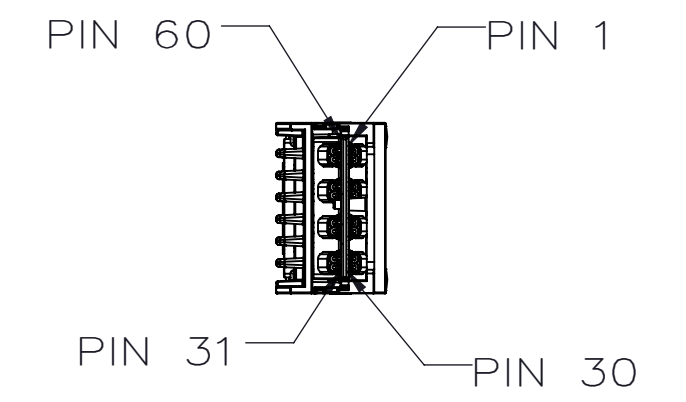
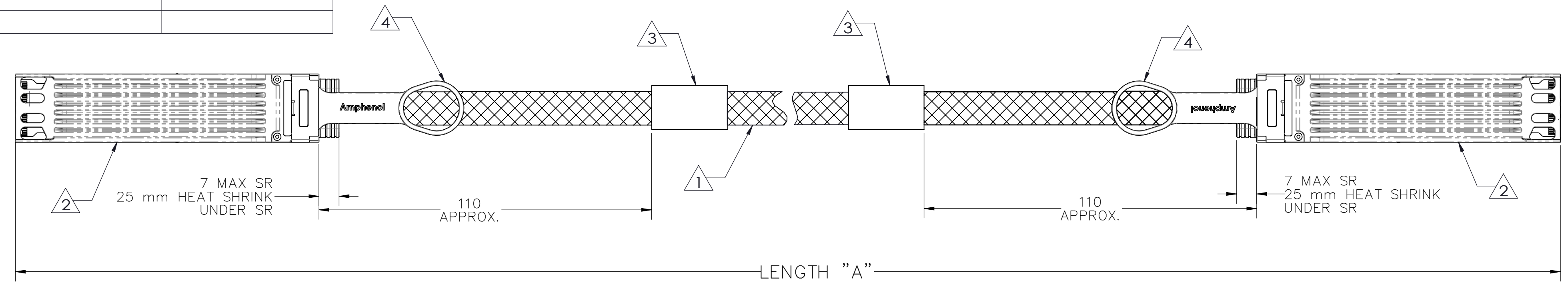
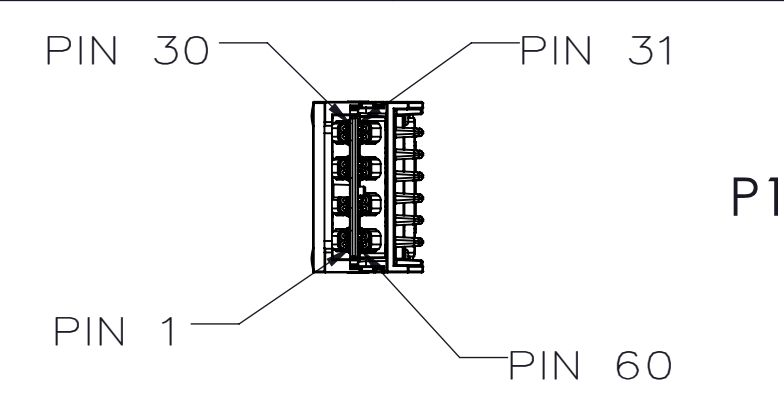
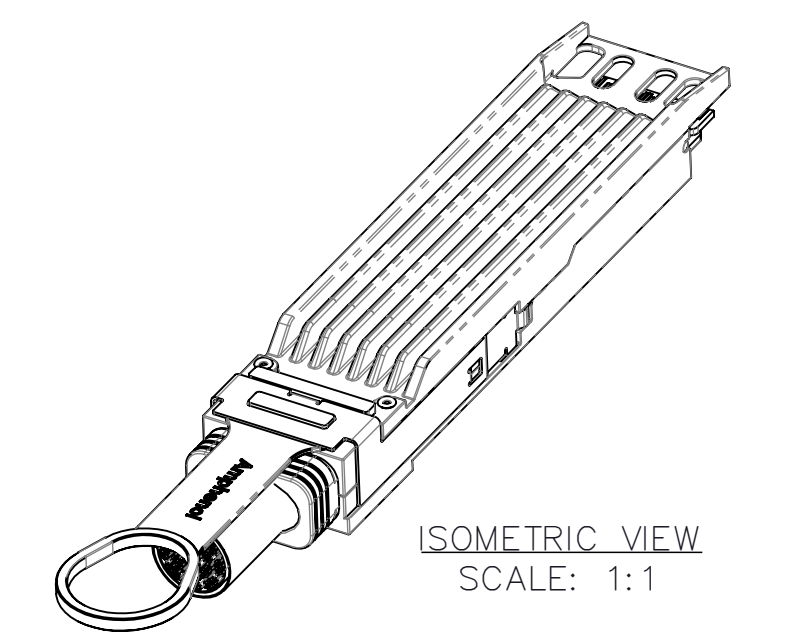
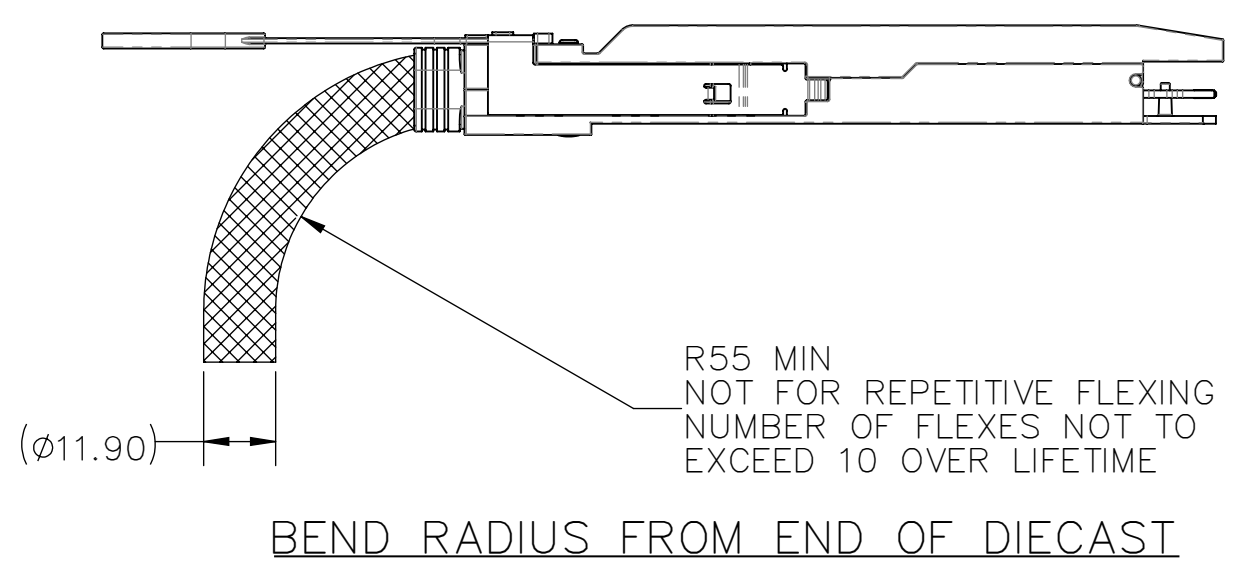
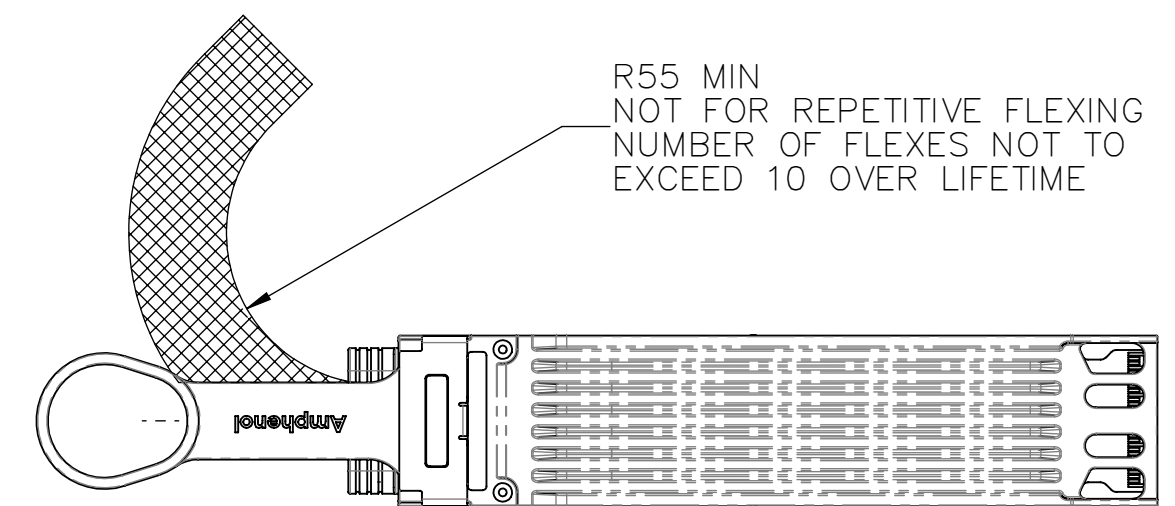
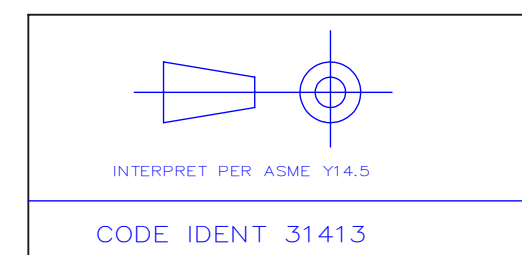
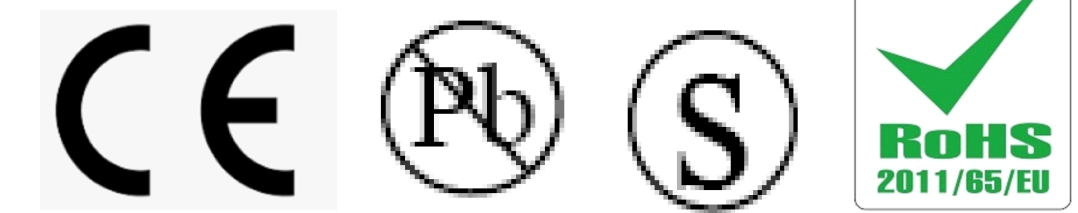


TABLE 2	
ITEM No.	DESCRIPTION
1	25 AWG, 16-PR(Ø11.90), DUAL DRAIN VW1 PROTECTIVE PLASTIC NET COVERING VW-1
2	PLUG, OSFP, REFERENCE "OSFP MSA"
3	LABEL, WRAPPED - OSFP CONN - AMPHENOL P/N, REV, DATE CODE, LENGTH, CoO & SERIAL NUMBER
4	PULL TAB, BLUE
5	EEPROM - REFERENCE CMIS PAGE A0 ONLY



- NOTES:
- THIS DRAWING IS RESERVED FOR AMPHENOL.
 - ASSEMBLIES WITH LENGTHS UP TO 2.0m SHALL BE COMPLIANT TO IEEE802.3ck SPECIFICATION.
 - CABLE ASSEMBLIES, COMPONENTS AND SUB-COMPONENTS SHALL BE COMPLIANT TO EU DIRECTIVE 2011/65/EU-RoHS2.
 - CABLE ASSEMBLIES MUST MEET SHIELDING EFFECTIVENESS REQUIREMENTS OF 35DB MINIMUM FROM 1-10GHZ AND 30DB FROM 10-18 GHZ.
 - EEPROM CONTENT SHALL BE COMPLIANT WITH CMIS SPECIFICATIONS. EEPROM REVISION IS EQUAL TO PRINT REVISION, EEPROM IS WRITE PROTECTED
 - PACKAGE COMPLETED ASSY IN AN APPROPRIATELY SIZED ESD BAG.
 - UL LABEL MUST BE ON SHIPPING CARTON PER SUBJECT 764 OF THE UL COMPONENT WIRING HARNESS (ZPFW2) FILE #E86140. CSA LABEL MUST BE ON SHIPPING CARTON.



TOLERANCES	DWG	CHK	APVD	DATE	BY
0.0 ± 0.25	03/15/2021	03/15/2021	03/17/2021	03/17/2021	E.M
0.00 ± 0.08	M.HUSSAIN	M.HUSSAIN			
0.000 ± -					
ANGLES ± 1.0°					

UNLESS OTHERWISE SPECIFIED DIMENSIONS ARE IN MM

Amphenol AHSP	
A Division of Amphenol Corporation	
200 Innovative Way, Suite 201, Nashua, N.H. 03062 (603) 879-3000	
TITLE	CABLE ASSEMBLY, OSFP 112G PASSIVE, 100Q 25AWG, DUAL DRAIN
PART NO.	SEE TABLE 1
DRAWING NO.	C-NJMMEN-0099
SIZE	D
SCALE	2:1
SHEET	1 of 2

8

7

6

5

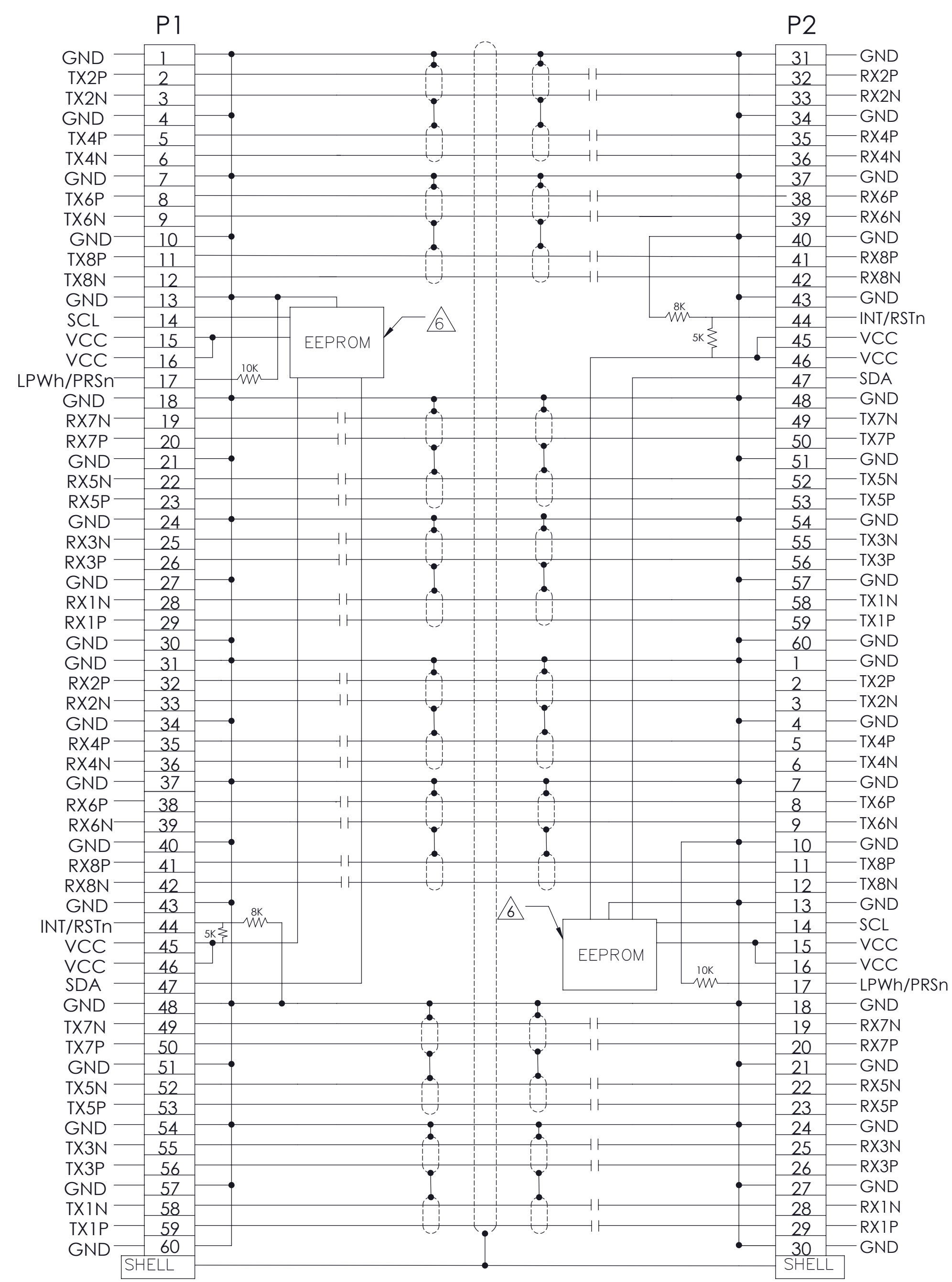
4

3

2

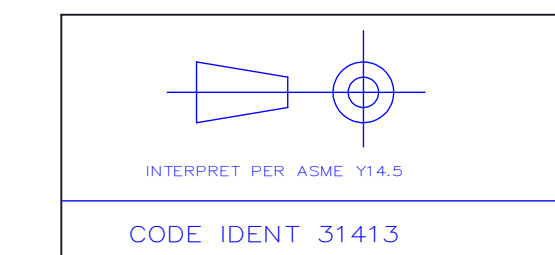
DWG NO.	C-NJMMEN-0099	SH	2	REV	A
---------	---------------	----	---	-----	---

REVISIONS					
ZONE	REV.	ECN NUMBER	DESCRIPTION	BY	DATE
			SEE SHEET 1		



NOTE: DC BLOCKING CAP VALUE IS 100nF

TOLERANCES	DWN	03/15/2021	M.HUSSAIN	Amphenol AHSP A Division of Amphenol Corporation 200 Innovative Way, Suite 201, Nashua, N.H. 03062 (603) 879-3000
0.0	± 0.25	CHK	03/15/2021	
0.00	± 0.08			
0.000	± -	APVD	03/17/2021	
ANGLES	± 1.0°		E.M.	TITLE CABLE ASSEMBLY, OSFP 112G PASSIVE, 100Ω 25AWG, DUAL DRAIN
UNLESS OTHERWISE SPECIFIED DIMENSIONS ARE IN MM				PART NO. SEE TABLE 1 REV N/A



CUSTOMER USE DRAWING		DRAWING NO.	C-NJMMEN-0099	REV	A
SIZE	D	SCALE	1:1	SHEET	2 of 2