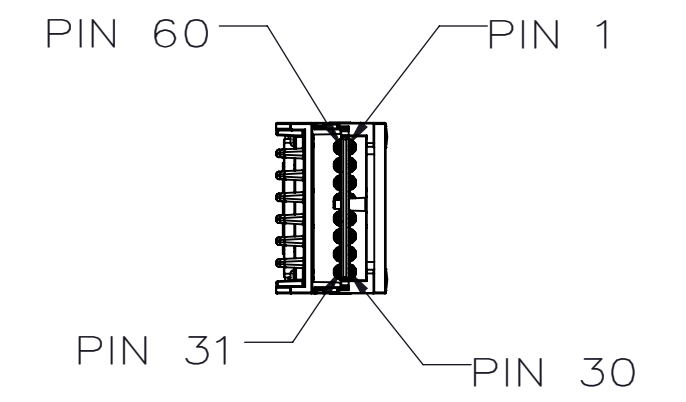
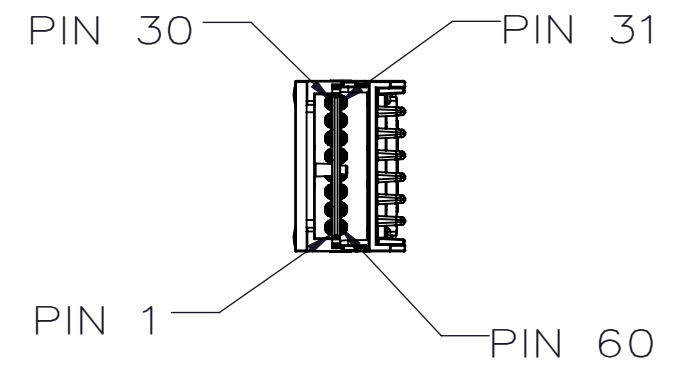
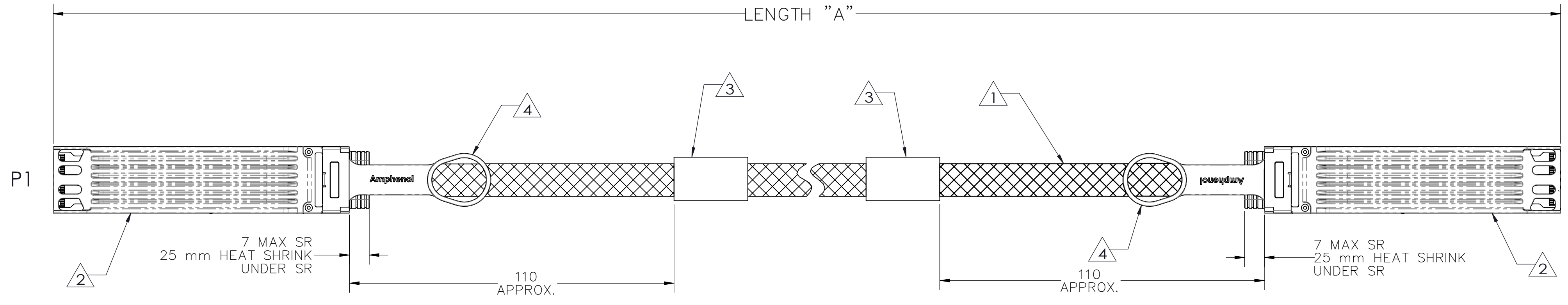


AHSP P/N	LENGTH "A"
NJMMEK-0001	1000±20mm
NJMMEK-0002	2000±50mm [2]
NJMMEK-0004	1500±50mm [2]
NJMMEK-0006	500±20mm

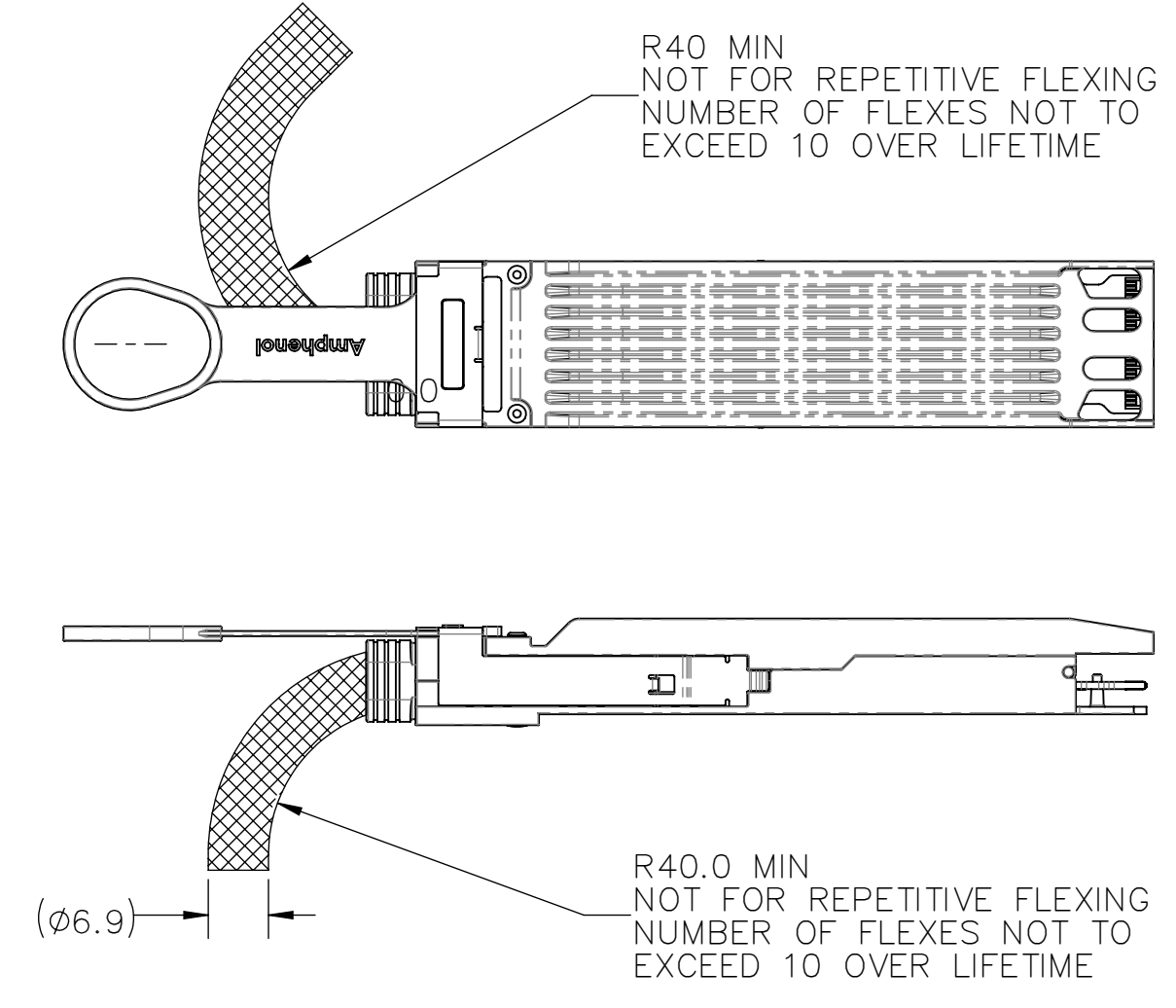
REVISIONS						
ZONE	REV.	ECN NUMBER	DESCRIPTION	BY	DATE	APPROVED
	1.0	MKHN-21060802	NEW RELEASE	M.HUSSAIN	06/08/2021	E.M
	2.0	RVAR-22071501	UPDATE TABLE 2, ITEM 1 TO CALLOUT Ø	R. VASSAR	07/15/2022	M.HUSSAIN
	3.0	RGAO-23010601	CORRECTED SCHEMATIC	D.YU	01/06/2023	C.DENG

D

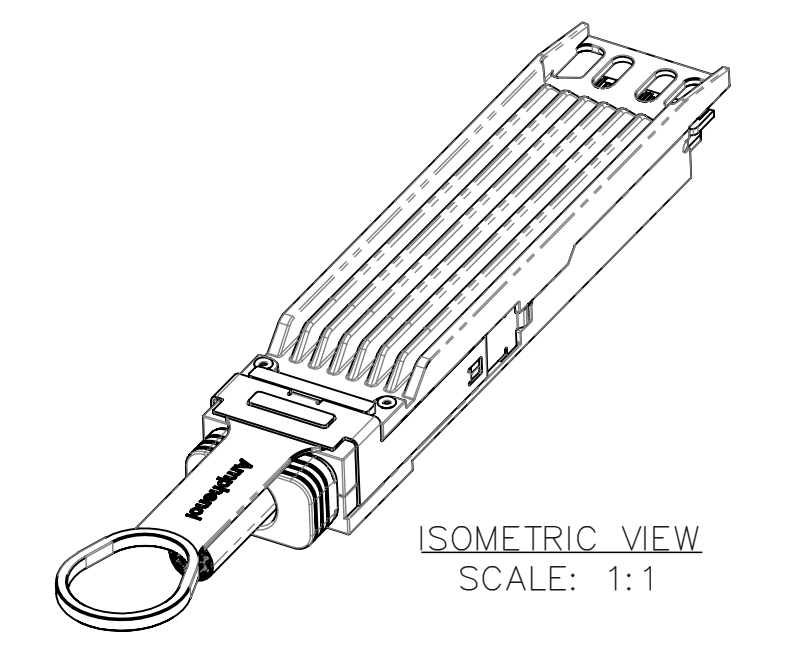


C

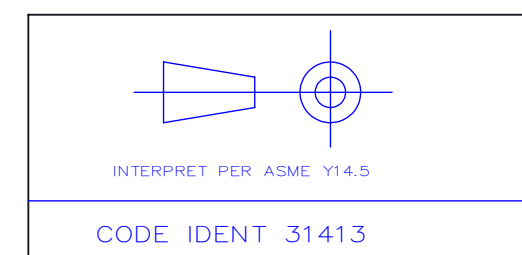
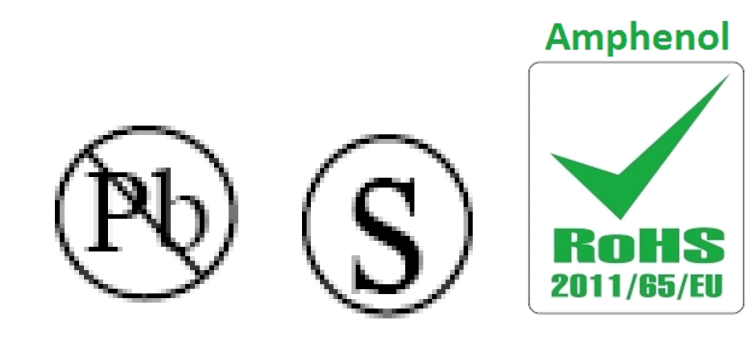
ITEM No.	DESCRIPTION
[1]	32 AWG, 16-PR, VW1 PROTECTIVE PLASTIC NET COVERING VW-1 (Ø6.9mm)
[2]	PLUG, OSFP, REFERENCE "OSFP MSA"
[3]	LABEL, FLAGGED - OSFP CONN - AMPHENOL P/N, REV, DATE CODE, LENGTH, CoO & SERIAL NUMBER
[4]	PULL TAB, BLUE
[5]	EPROM - REFERENCE CMIS, PAGE A0 ONLY



BEND RADIUS FROM END OF DIECAST
BEND DIRECTIONS APPLICABLE TO UP/DOWN & LEFT/RIGHT SIDES OF THE PLUG



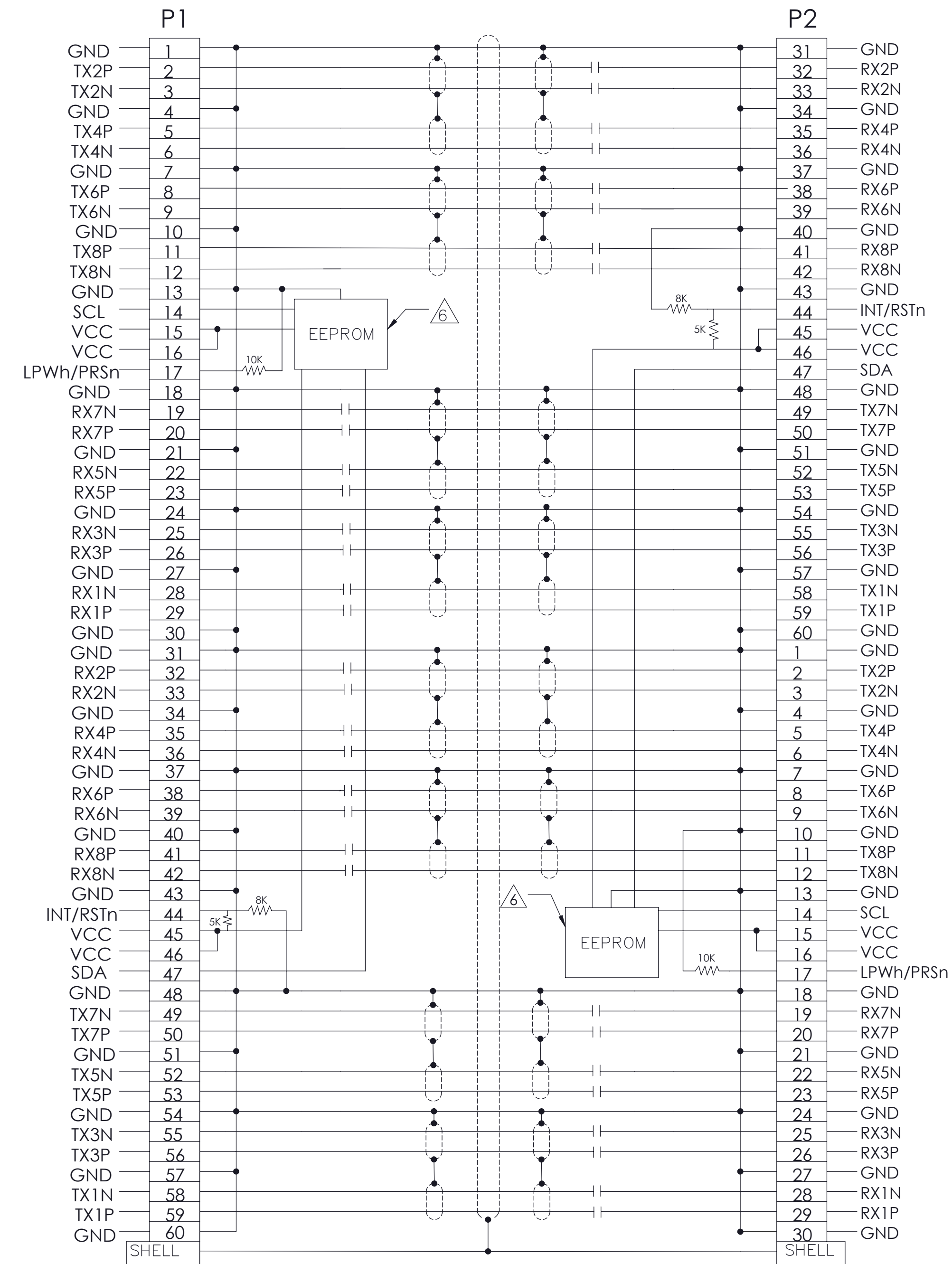
- NOTES:
- THIS DRAWING IS RESERVED FOR AMPHENOL.
 - ASSEMBLIES WITH LENGTHS UP TO 1.0m SHALL BE COMPLIANT TO IEEE802.3ck SPECIFICATION.
 - CABLE ASSEMBLIES, COMPONENTS AND SUB-COMPONENTS SHALL BE COMPLIANT TO EU DIRECTIVE 2011/65/EU-RoHS2.
 - CABLE ASSEMBLIES MUST MEET SHIELDING EFFECTIVENESS REQUIREMENTS OF 35DB MINIMUM FROM 1-10GHZ AND 30DB FROM 10-18 GHZ.
 - EEPROM CONTENT SHALL BE COMPLIANT WITH CMIS SPECIFICATIONS, EEPROM REVISION IS EQUAL TO PRINT REVISION, EEPROM IS WRITE PROTECTED
 - PACKAGE COMPLETED ASSY IN AN APPROPRIATELY SIZED ESD BAG.
 - UL LABEL MUST BE ON SHIPPING CARTON PER SUBJECT 764 OF THE UL COMPONENT WIRING HARNESS (ZPFW2) FILE #E86140. CSA LABEL MUST BE ON SHIPPING CARTON.



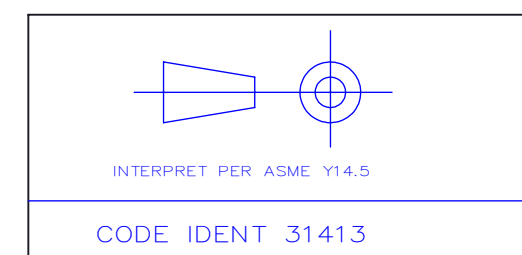
TOLERANCES	DWN	05/03/2021	M.HUSSAIN	Amphenol AHSP A Division of Amphenol Corporation 200 Innovative Way, Suite 201, Nashua, N.H. 03062 (603) 879-3000
0.0	± 0.1	CHK	05/03/2021	
0.00	± 0.08		M.HUSSAIN	
0.000	± -	APVD	06/08/2021	
ANGLES	± 1.0°		E.M	
UNLESS OTHERWISE SPECIFIED DIMENSIONS ARE IN MM				
TITLE				CABLE ASSEMBLY, OSFP 112G PASSIVE, 100Ω, 32AWG, DUAL DRAIN
PART NO.				SEE TABLE 1
DRAWING NO.				C-NJMMEK-0099
SIZE				D
SCALE				2:1
SHEET				1 of 2

A

REVISIONS						
ZONE	REV.	ECN NUMBER	DESCRIPTION	BY	DATE	APPROVED
			SEE SHEET 1			



NOTE: DC BLOCKING CAP VALUE IS 100nF



TOLERANCES		DWN	05/03/2021	Amphenol AHSP	
0.0	± 0.1	CHK	05/03/2021	A Division of Amphenol Corporation	
0.00	± 0.08			200 Innovative Way, Suite 201, Nashua, N.H. 03062 (603) 879-3000	
0.000	± -	APVD	06/08/2021	TITLE	
ANGLES	± 1.0°		E.M	CABLE ASSEMBLY, OSFP 112G	
UNLESS OTHERWISE SPECIFIED DIMENSIONS ARE IN MM				PASSIVE, 100Ω, 32AWG, DUAL DRAIN	
PART NO.		REV		N/A	
SEE TABLE 1					
DRAWING NO.		REV		3.0	
C-NJMMEK-0099					
SIZE	D	SCALE	1:1	SHEET 2 of 2	