

TABLE 1	
AHSP P/N	LENGTH "A"
NDVVYR-0001	1000±20MM
NDVVYR-0004	1500±30MM <sup>8</sup>
NDVVYR-0006	0500±20MM
NDVVYR-0003	3000±60MM <sup>8</sup>

REVISIONS						
ZONE	REV.	ECN NUMBER	DESCRIPTION	BY	DATE	APPROVED
ALL	A	MKHN-18110101	NEW RELEASE	HCL-PB	11/08/2018	M.HUSSAIN
	B	XMDR-20062902	CHANGED BEND RADIUS FROM R22 TO R25, BEND DISTANCE FROM 28MM TO 35MM, TO MATCH THE ACTUAL PRODUCT.	N.ZENG	06/29/2020	W.ZHANG
	C	DDYR-20082802	ADDED P/N -0003 TO TABLE 1.	HCL-PB	09/11/2020	D.DYER

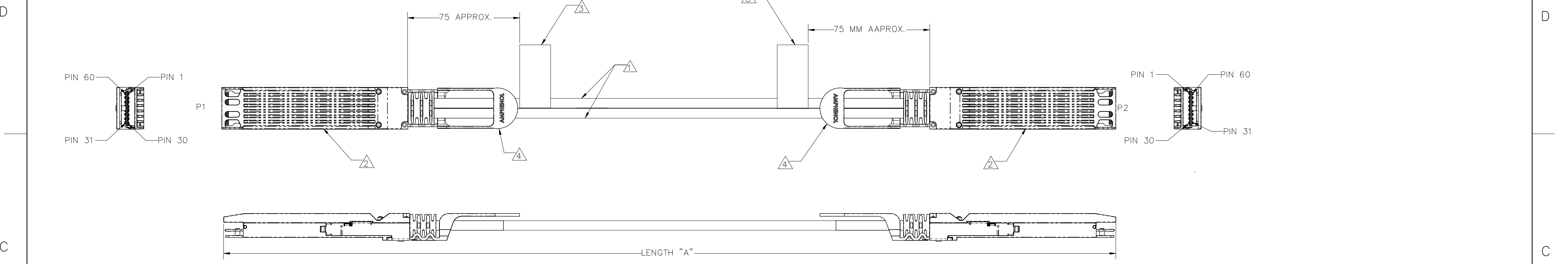
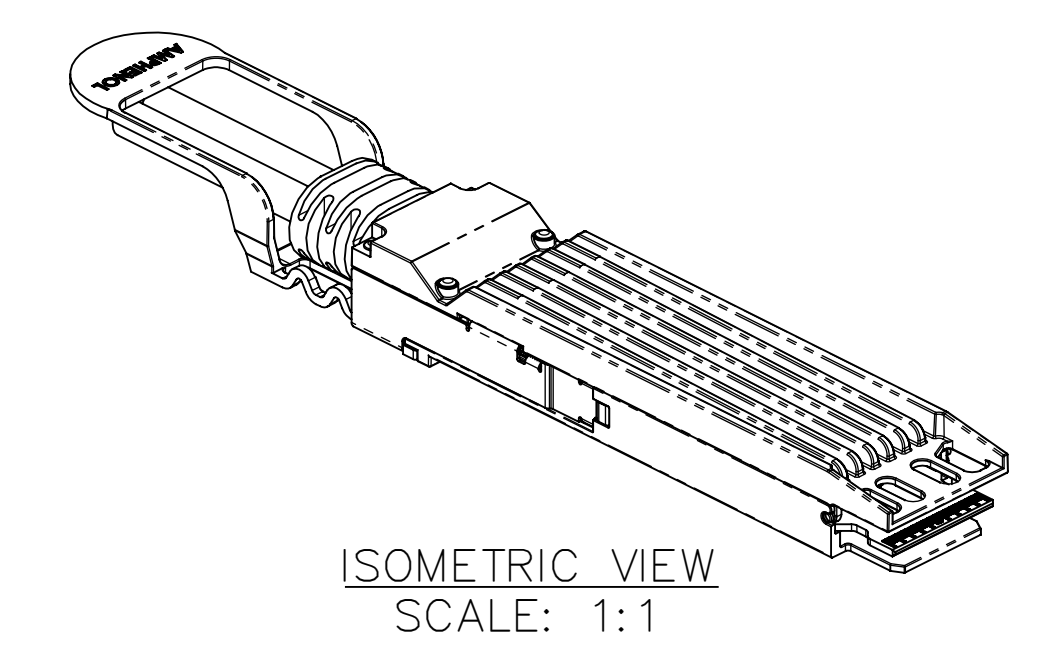
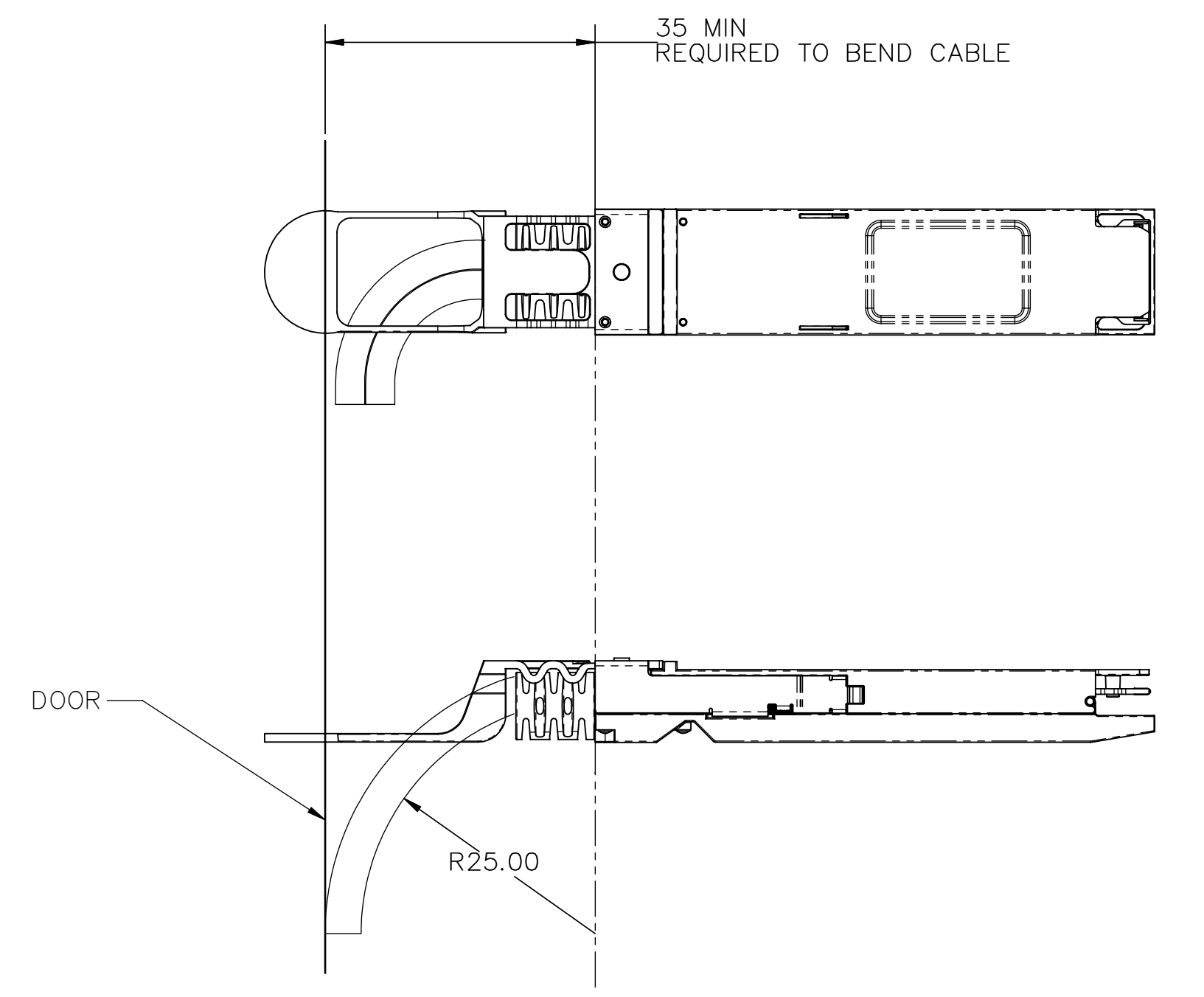
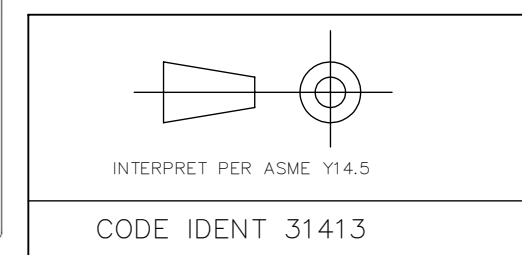
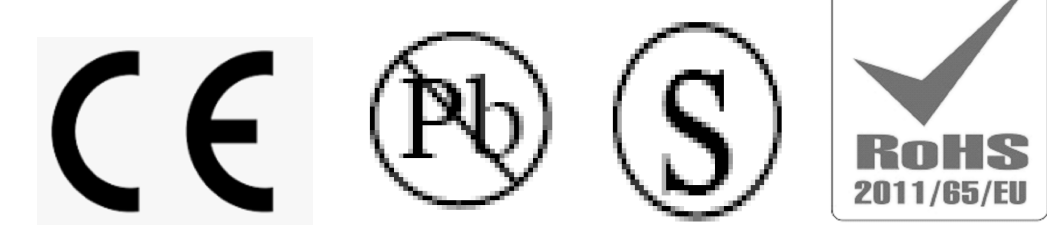


TABLE 2	
ITEM No.	DESCRIPTION
<sup>1</sup>	32 AWG, 8-PR, PVC JKT, AWM STYLE 20276 80°C, VM1
<sup>2</sup>	PLUG, OSFP, REFERENCE "OSFP MSA"
<sup>3</sup>	LABEL, FLAGGED-AHSP PN, SN, LENGTH
<sup>4</sup>	PULL TAB, BLUE 2718
<sup>5</sup>	EEPROM - REFERENCE OSFP MSA & SFF-8636, PAGE A0 ONLY

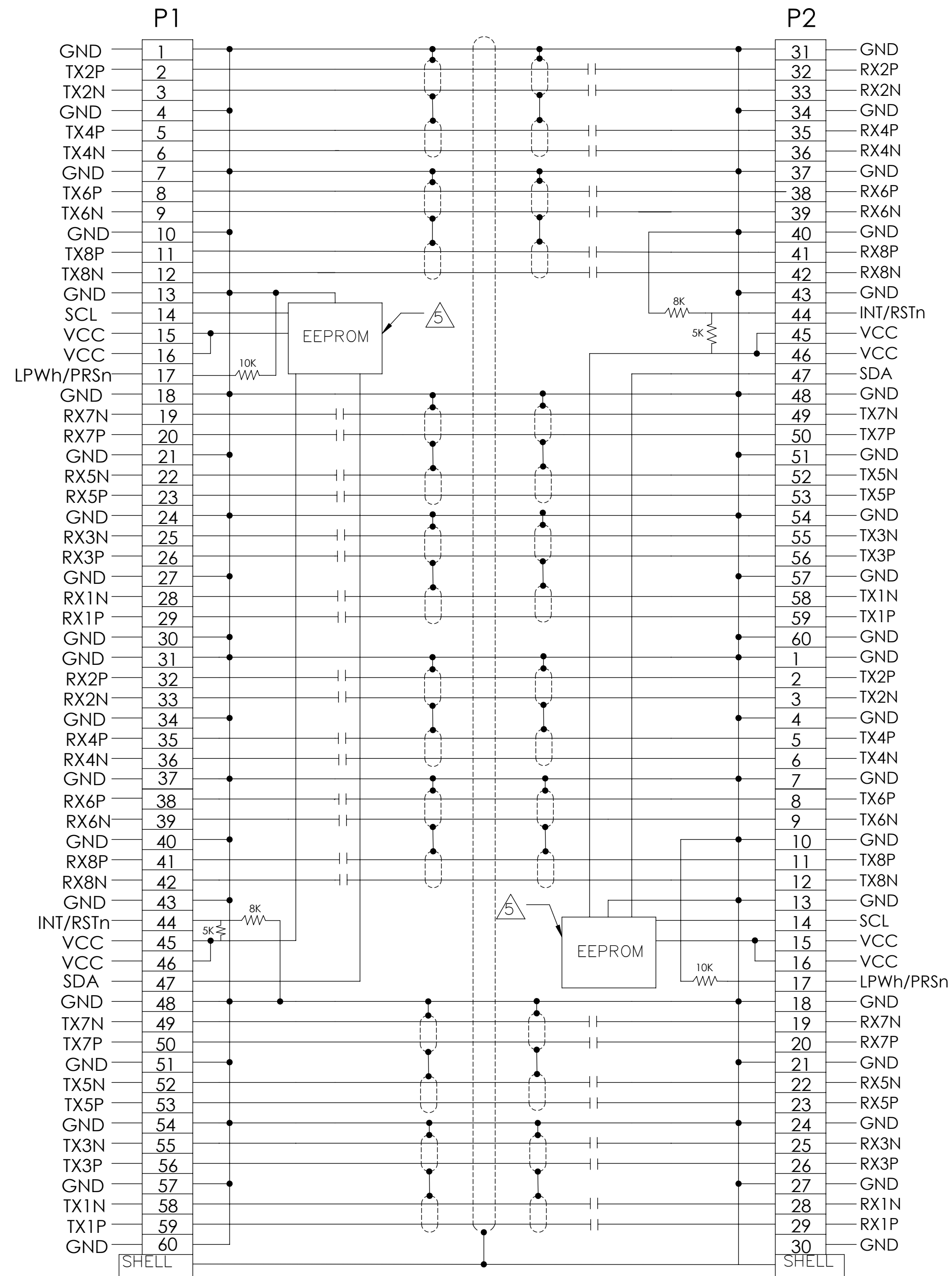


- NOTES:
- THIS DRAWING IS RESERVED FOR AMPHENOL.
  - ASSEMBLIES SHALL BE COMPLIANT TO OSFP MSA SPECIFICATION.
  - CABLE ASSEMBLIES, COMPONENTS AND SUB-COMPONENTS SHALL BE COMPLIANT TO EU DIRECTIVE 2011/65/EU-RoHS2.
  - CABLE ASSEMBLIES MUST MEET SHIELDING EFFECTIVENESS REQUIREMENTS OF 35DB MINIMUM FROM 1-10GHZ AND 30DB FROM 10-18 GHZ.
  - EPROM CONTENT SHALL BE COMPLIANT WITH OSFP MSA & SFF-8636 SPECIFICATIONS FOR 100GBASE-CR-4. EPROM REVISION IS EQUAL TO CUSTOMER PART NUMBER REVISION UNLESS OTHERWISE NOTED.
  - PACKAGE COMPLETED ASSY IN AN APPROPRIATELY SIZED ESD BAG.
  - UL LABEL MUST BE ON SHIPPING CARTON PER SUBJECT 764 OF THE UL COMPONENT WIRING HARNESS (ZPFW2) FILE #E86140. CSA LABEL MUST BE ON SHIPPING CARTON.
- <sup>8</sup> LENGTHS ABOVE 1.5 M DOES NOT SUPPORT IEEE802.3cd.



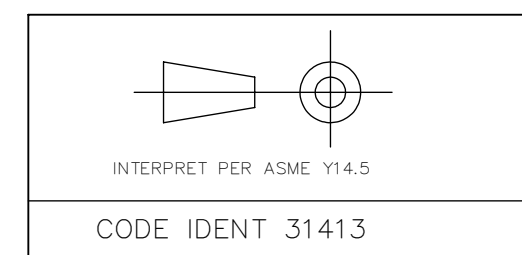
TOLERANCES	DWN 10/31/2018	<b>Amphenol AHSP</b> A Division of Amphenol Corporation 200 Innovative Way, Suite 201, Nashua, N.H. 03062 (603) 879-3000
0.0 ± 0.1	CHK 10/31/2018	
0.00 ± 0.08	M.HUSSAIN	
0.000 ± -	APVD 10/31/2018	
ANGLES ± 1.0*	M.HUSSAIN	
UNLESS OTHERWISE SPECIFIED DIMENSIONS ARE IN MM		
CUSTOMER USE DRAWING		TITLE: CABLE ASSY, OSFP PASSIVE, 100Ω, 32 AWG PART NO. SEE TABLE 1 DRAWING NO. C-NDVVYR-0099 SIZE D SCALE 2:1 SHEET 1 OF 2

REVISIONS						
ZONE	REV.	ECN NUMBER	DESCRIPTION	BY	DATE	APPROVED
			SEE SHEET 1			



NOTE: DC BLOCKING CAP VALUE IS 100nF

TOLERANCES	DWN	10/31/2018	<b>Amphenol AHSP</b> A Division of Amphenol Corporation 200 Innovative Way, Suite 201, Nashua, N.H. 03062 (603) 879-3000
0.0	± 0.1	M.HUSSAIN	
0.00	± 0.08	M.HUSSAIN	
0.000	± -	M.HUSSAIN	
ANGLES	± 1.0°	M.HUSSAIN	
UNLESS OTHERWISE SPECIFIED DIMENSIONS ARE IN MM			TITLE CABLE ASSY, OSFP PASSIVE, 100Ω, 32 AWG



CUSTOMER USE DRAWING	PART NO.	SEE TABLE 1	REV	N/A
	DRAWING NO.	C-NDVVYR-0099	REV	C
CODE IDENT 31413	SIZE D	SCALE 1:1	SHEET 2 OF 2	