

TABLE 1	
AHSP P/N	LENGTH "A"
NDVVYF-0001	1000±20MM
NDVVYF-0002	2000±40MM \triangle
NDVVYF-0004	1500±20MM
NDVVYF-0007	1750±40MM
NDVVYF-0003	3000±60MM \triangle

REVISIONS						
ZONE	REV.	ECN NUMBER	DESCRIPTION	BY	DATE	APPROVED
ALL	A	MKHN-18110101	NEW RELEASE	HCL-PB	11/08/2018	M.HUSSAIN
	B	JCHN-19122401	UPDATED ITEM #1 IN TABLE 2.	HCL-SH	01/28/2020	J.CHEN
	C	DDYR-20082801	ADDED P/N -0003 TO TABLE 1.	HCL-PB	09/10/2020	EM

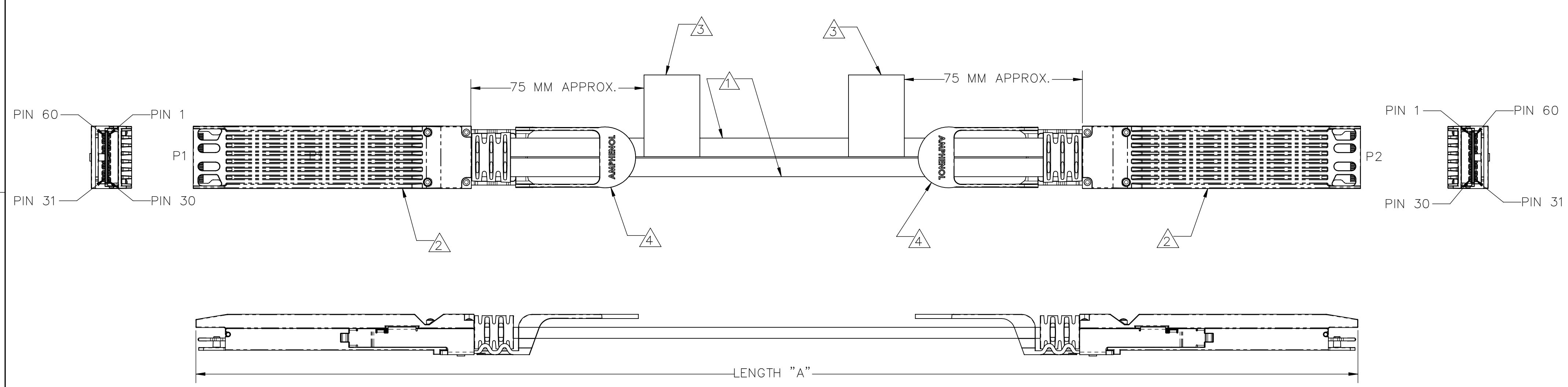
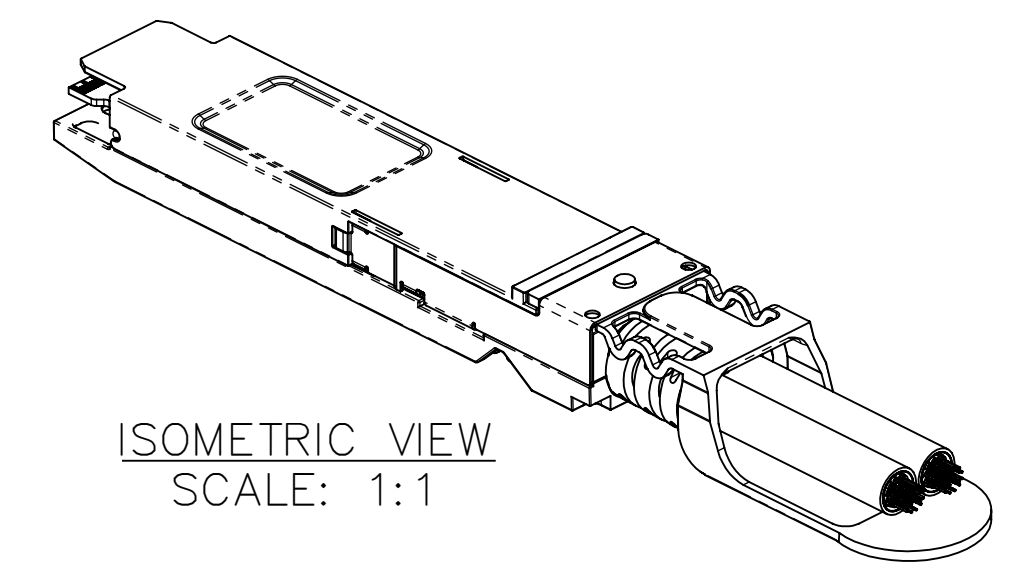
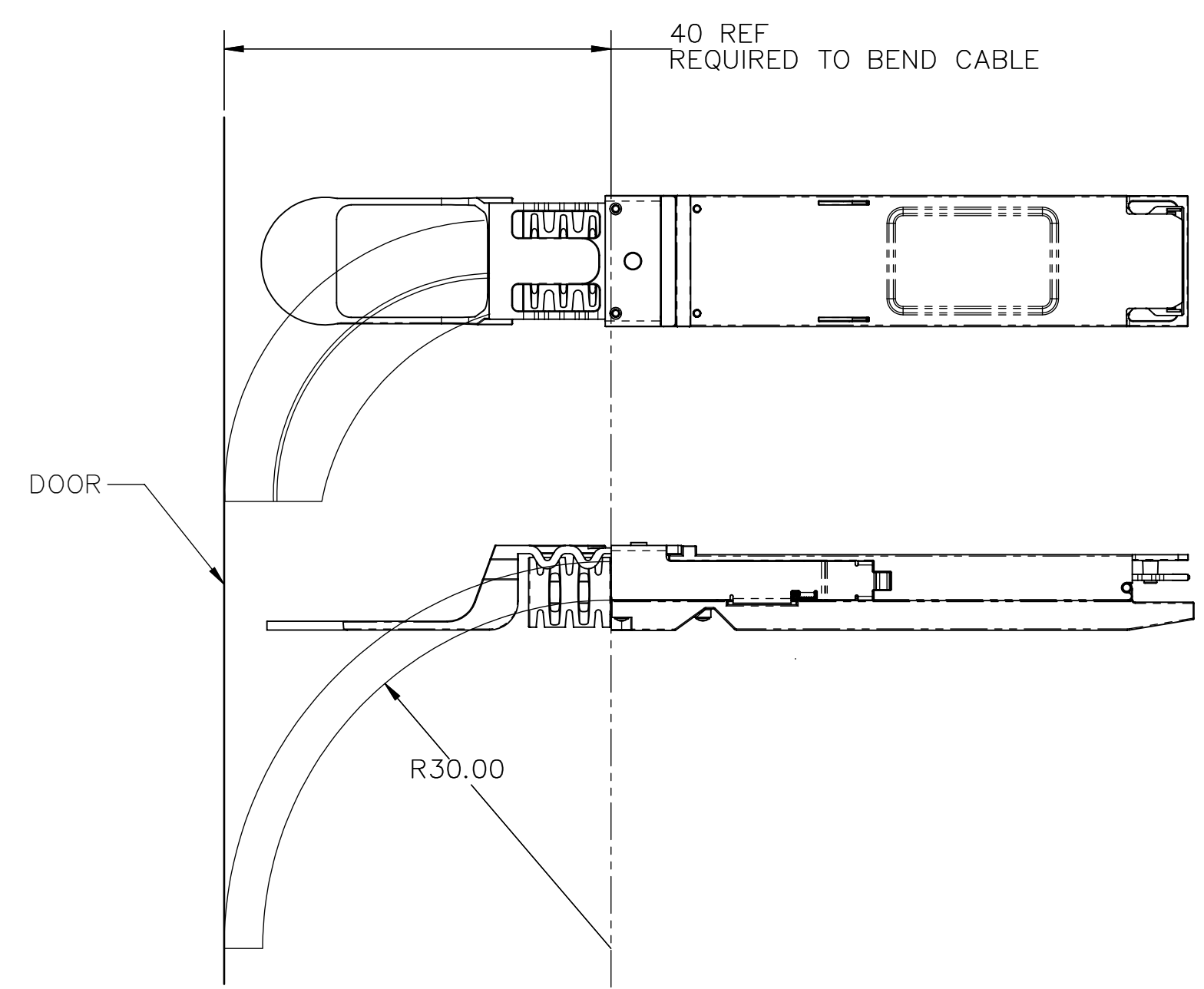
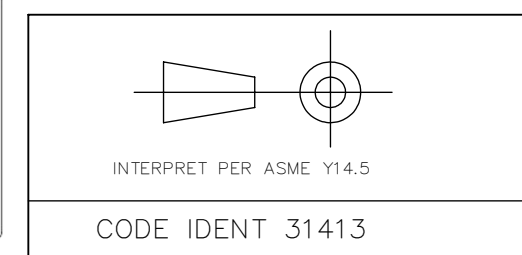
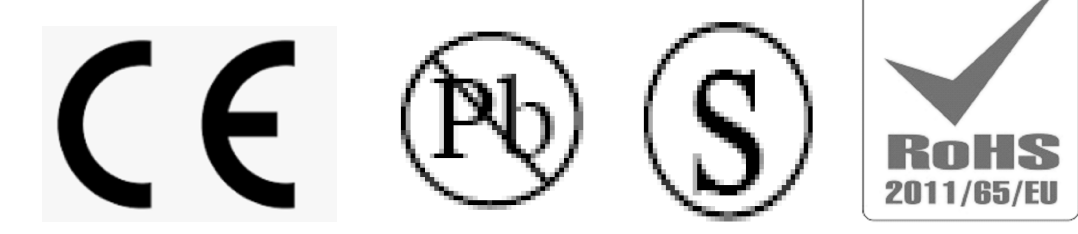


TABLE 2	
ITEM No.	DESCRIPTION
\triangle	30 AWG, 8-PR, PVC JKT, AWM STYLE 20276 80°C, VW-1
\triangle	PLUG, OSFP, REFERENCE "OSFP MSA"
\triangle	LABEL, FLAGGED-AHSP PN, SN, LENGTH
\triangle	PULL TAB, BLUE 2718
\triangle	EEPROM - REFERENCE OSFP MSA & SFF-8636, PAGE A0 ONLY

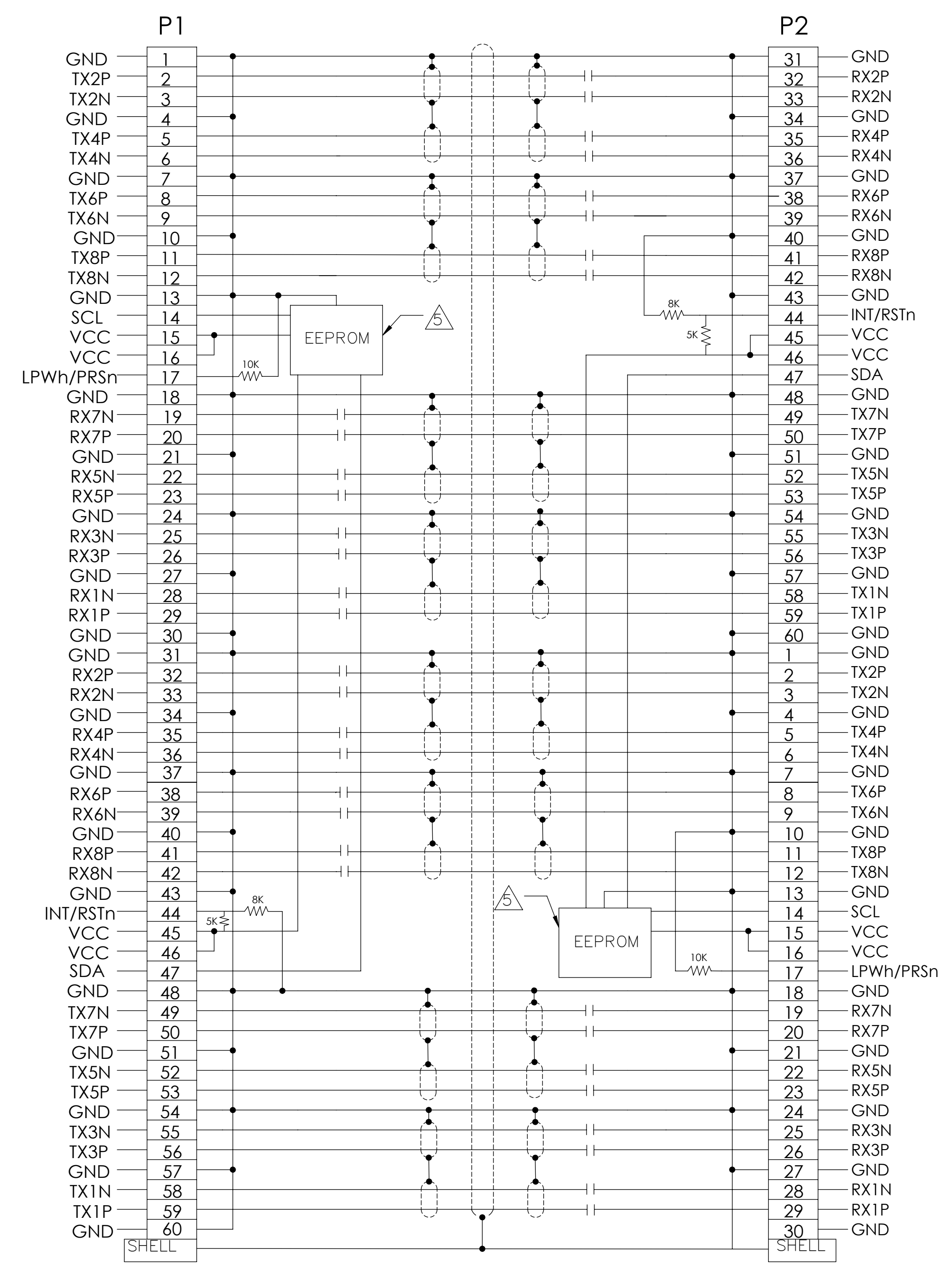


- NOTES:
- THIS DRAWING IS RESERVED FOR AMPHENOL.
 - ASSEMBLIES SHALL BE COMPLIANT TO OSFF MSA SPECIFICATION.
 - CABLE ASSEMBLIES, COMPONENTS AND SUB-COMPONENTS SHALL BE COMPLIANT TO EU DIRECTIVE 2011/65/EU-RoHS2.
 - CABLE ASSEMBLIES MUST MEET SHIELDING EFFECTIVENESS REQUIREMENTS OF 35DB MINIMUM FROM 1-10GHZ AND 30DB FROM 10-18 GHZ.
 - EPROM CONTENT SHALL BE COMPLIANT WITH OSFP MSA & SFF-8636 SPECIFICATIONS FOR 100GBASE-CR-4. EPROM REVISION IS EQUAL TO CUSTOMER PART NUMBER REVISION UNLESS OTHERWISE NOTED.
 - PACKAGE COMPLETED ASSY IN AN APPROPRIATELY SIZED ESD BAG.
 - UL LABEL MUST BE ON SHIPPING CARTON PER SUBJECT 764 OF THE UL COMPONENT WIRING HARNESS (ZPFW2) FILE #E86140. CSA LABEL MUST BE ON SHIPPING CARTON.
- \triangle LENGTHS ABOVE 2.0 M DOES NOT SUPPORT IEEE802.3cd.

TOLERANCES	DWN 10/31/2018	Amphenol AHSP A Division of Amphenol Corporation 200 Innovative Way, Suite 201, Nashua, N.H. 03062 (603) 879-3000	TITLE	CABLE ASSY, OSFP PASSIVE, 100Ω, 30 AWG
0.0 ± 0.1	CHK 10/31/2018		PART NO.	SEE TABLE 1
0.00 ± 0.08	M.HUSSAIN		DRAWING NO.	C-NDVVYF-0099
0.000 ± -	APVD 10/31/2018		SIZE	D
ANGLES ± 1.0°	M.HUSSAIN		SCALE	2:1
UNLESS OTHERWISE SPECIFIED DIMENSIONS ARE IN MM		SHEET	1 OF 2	



REVISIONS						
ZONE	REV.	ECN NUMBER	DESCRIPTION	BY	DATE	APPROVED
			SEE SHEET 1			



NOTE: DC BLOCKING CAP VALUE IS 100nF

TOLERANCES	DWN	10/31/2018	Amphenol AHSP A Division of Amphenol Corporation 200 Innovative Way, Suite 201, Nashua, N.H. 03062 (603) 879-3000
0.0	± 0.1	M.HUSSAIN	
0.00	± 0.08	M.HUSSAIN	
0.000	± -	M.HUSSAIN	
ANGLES	± 1.0°	M.HUSSAIN	

INTERPRET PER ASME Y14.5 CODE IDENT 31413	CUSTOMER USE DRAWING		PART NO. SEE TABLE 1 REV N/A
	DRAWING NO. C-NDVVYF-0099		REV C
	SIZE D	SCALE 1:1	SHEET 2 OF 2