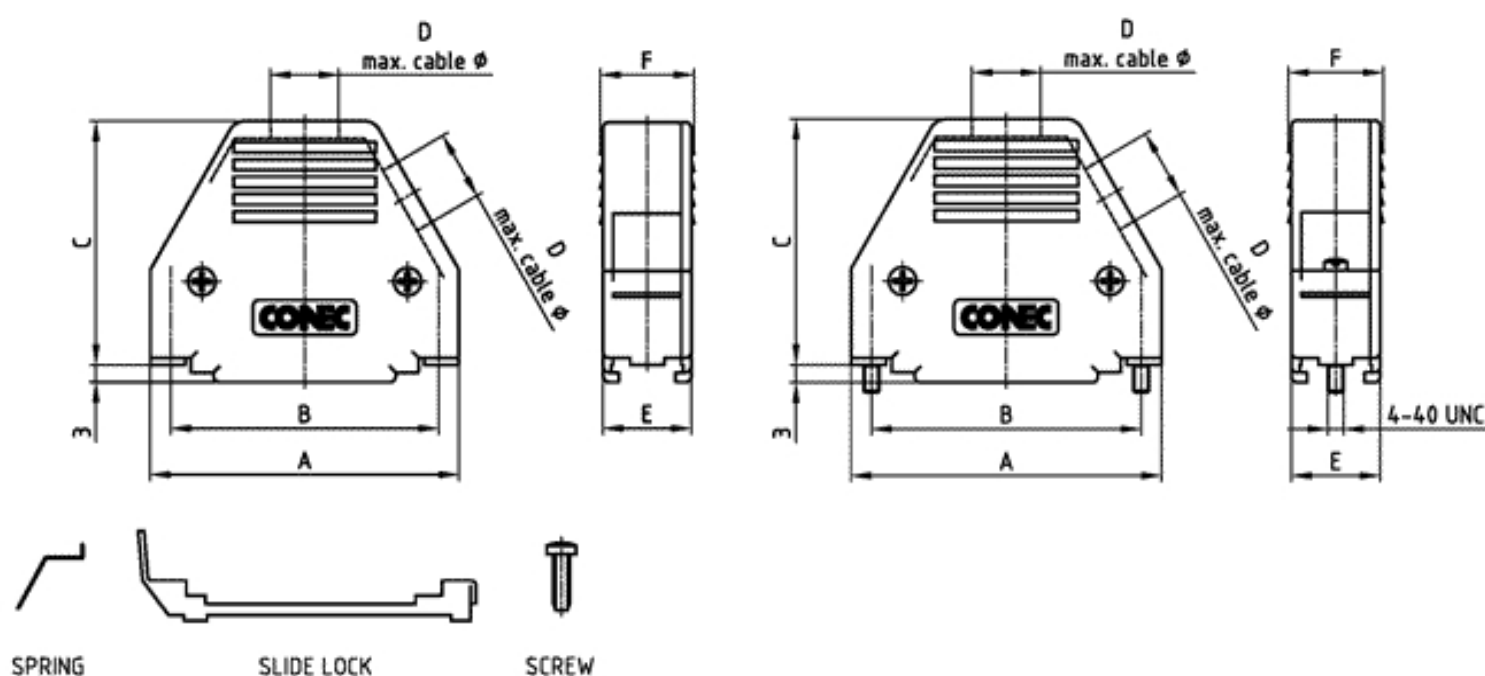


Plastic hood
with top and
side cable exit
slide lock
or jack screws



(click on the schematic(s) for a more detailed view)



PDF drawings

Part number	PDF-format drawing
165X11239XE	16K1A1731.pdf
165X11249XE	16K1A1731.pdf
165X11259XE	16K1A1731.pdf
165X11269XE	16K1A1731.pdf
165X11279XE	16K1A1732.pdf
165X11289XE	16K1A1732.pdf
165X11299XE	16K1A1732.pdf
165X11309XE	16K1A1732.pdf
165X11319XE	16K1A1733.pdf
165X11329XE	16K1A1733.pdf
165X11339XE	16K1A1733.pdf
165X11349XE	16K1A1733.pdf

Please contact Conec for any missing PDF drawings

Hood with top and side cable entry						
No. of pos.	A	B	C	ØD	E	F
9	32,0	25,0	36,7	6,3	15.5	16.5
15	40,0	33,3	38,2	8,0	15.5	16.5
25	54,2	47,0	42,2	10,5	15.5	16.5
37	70,6	63,5	47,2	11,5	15.5	16.5
50	68.2	61.1	47.2	16.0	19.6	20.6

Part Numbers

The two-piece hood has a top and side cable entry. The locking can be effected by a screw - or a slide lock. The standard version of the hood is either black or metallized. Entries not in use are blanked off with slide-in blanking plugs. The cable strain relief is integrated in the hood.

Material:

Hood: ABS UL 94 V-O

Bulk packaged hoods. For single packaged add letter "E" on the end of part number.

No. of Pos.	Black		Grey		Metallized		Lock for slide lock
	Jack screws	Slide lock	Jack screws	Slide lock	Jack screws	Slide lock	
9	165 X 11239 X	165 X 11279 X	165 X 511239 X	165 X 511279 X	165 X 11319 X	165 X 11359 X	165 X 10119 X
15	165 X 11249 X	165 X 11289 X	165 X 511249 X	165 X 511289 X	165 X 11329 X	165 X 11369 X	165 X 10119 X
25	165 X 11259 X	165 X 11299 X	165 X 511259 X	165 X 511299 X	165 X 11339 X	165 X 11379 X	165 X 10119 X
37	165 X 11269 X	165 X 11309 X	165 X 511269 X	165 X 511309 X	165 X 11349 X	165 X 11389 X	165 X 10119 X
50	165 X 16539 X	165 X 16549 X	165 X 516539 X	165 X 516549 X	165 X 16559 X	165 X 16569 X	165 X 16609 X



File #: E202784



File #: LR115000