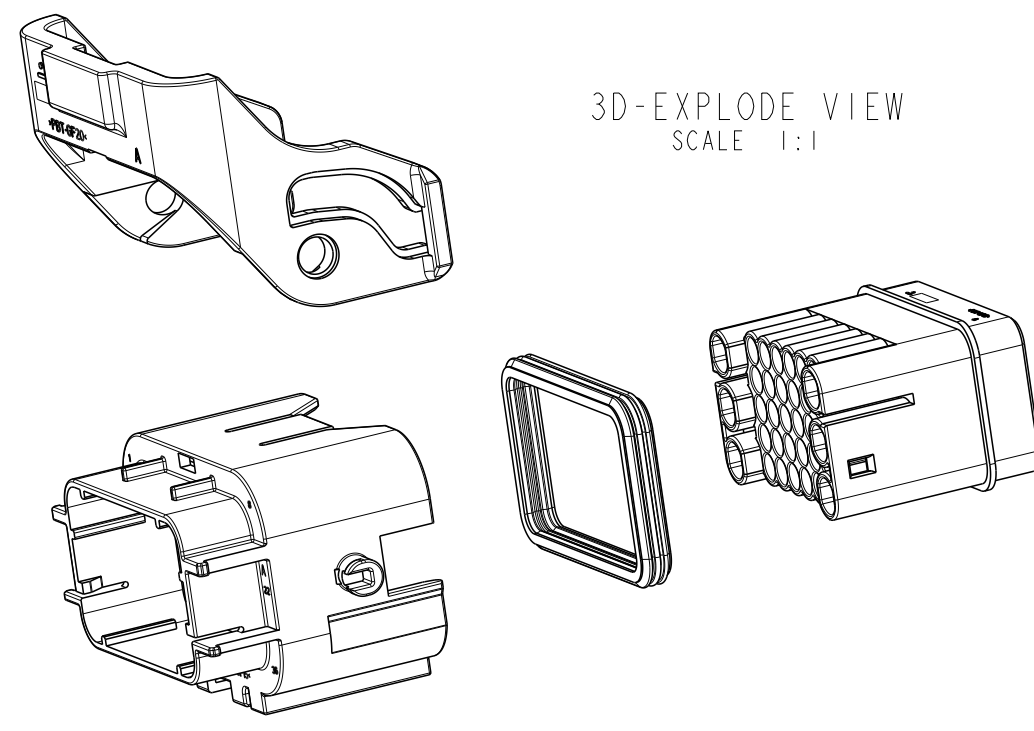
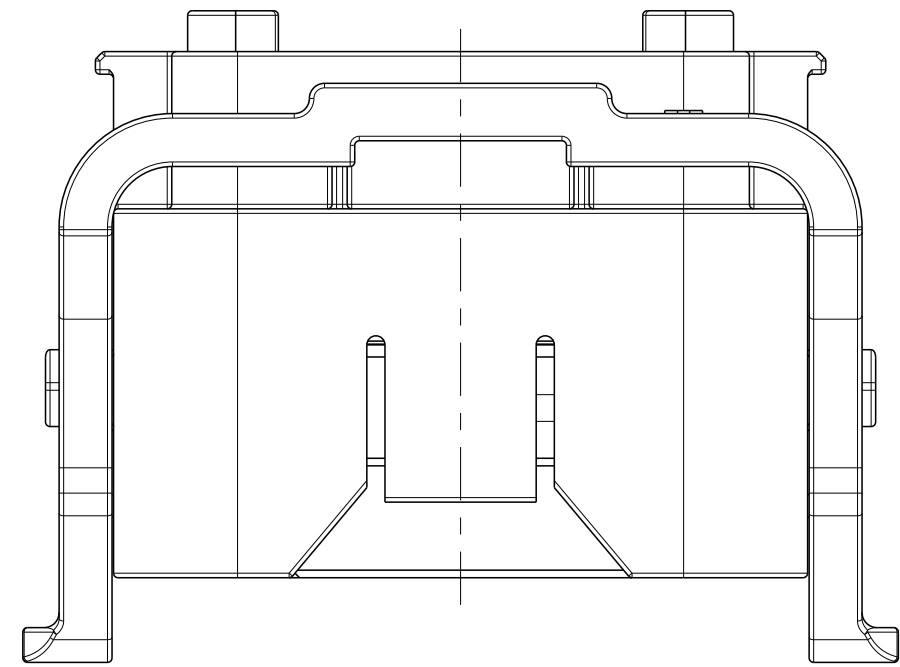
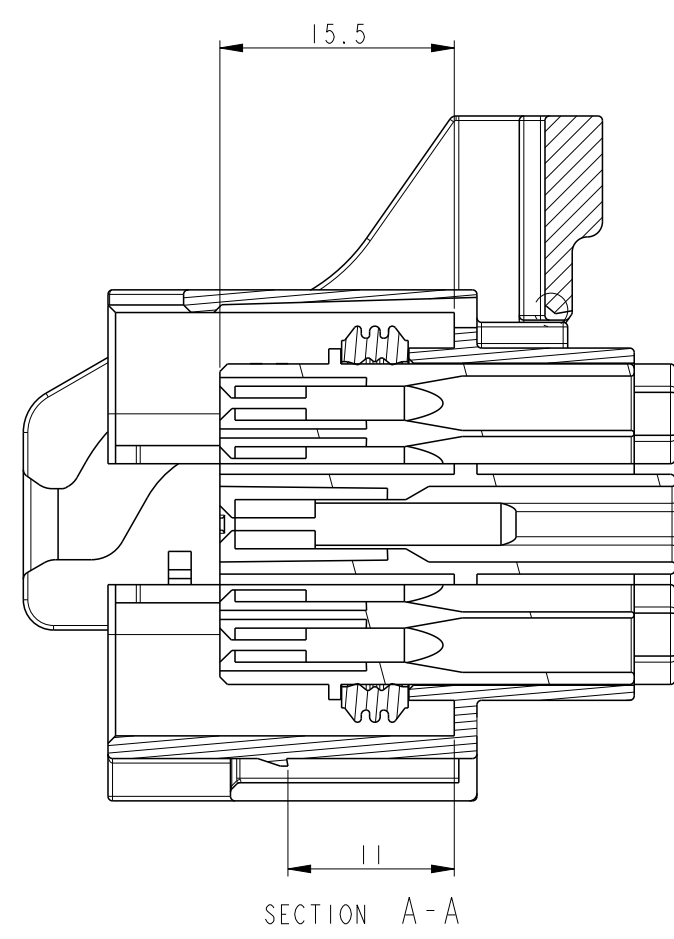
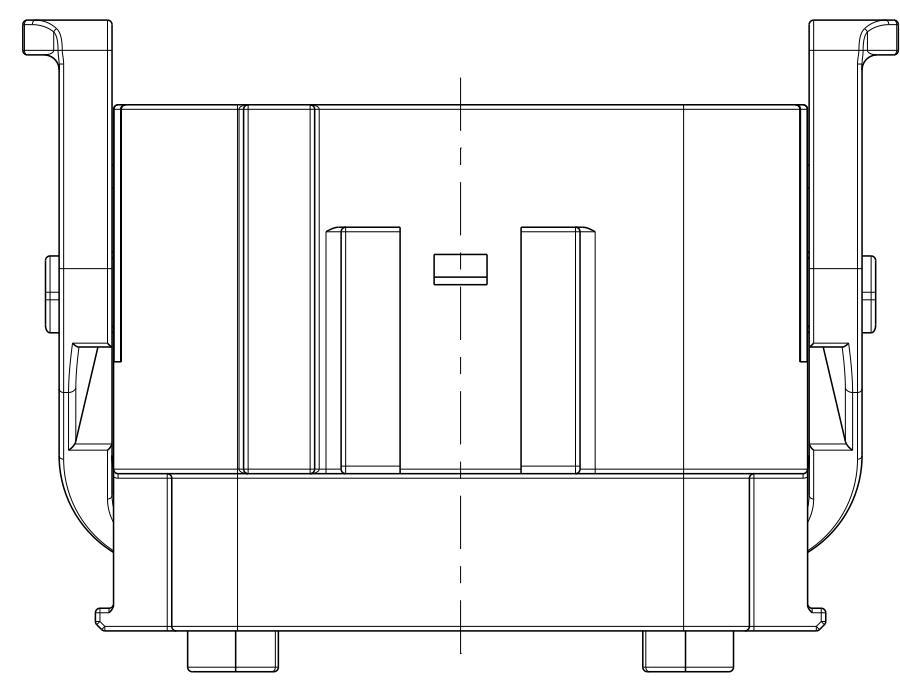
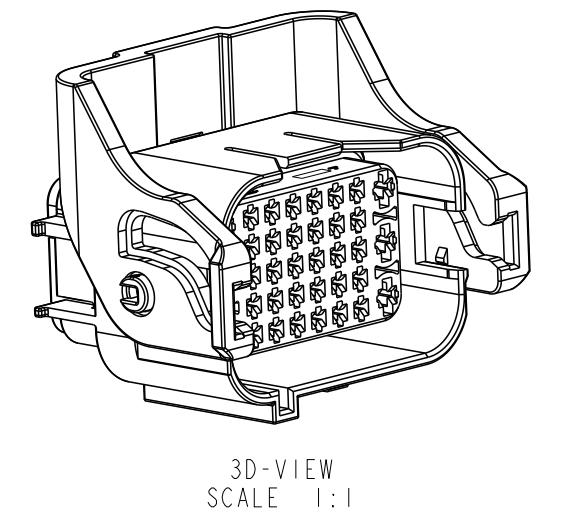
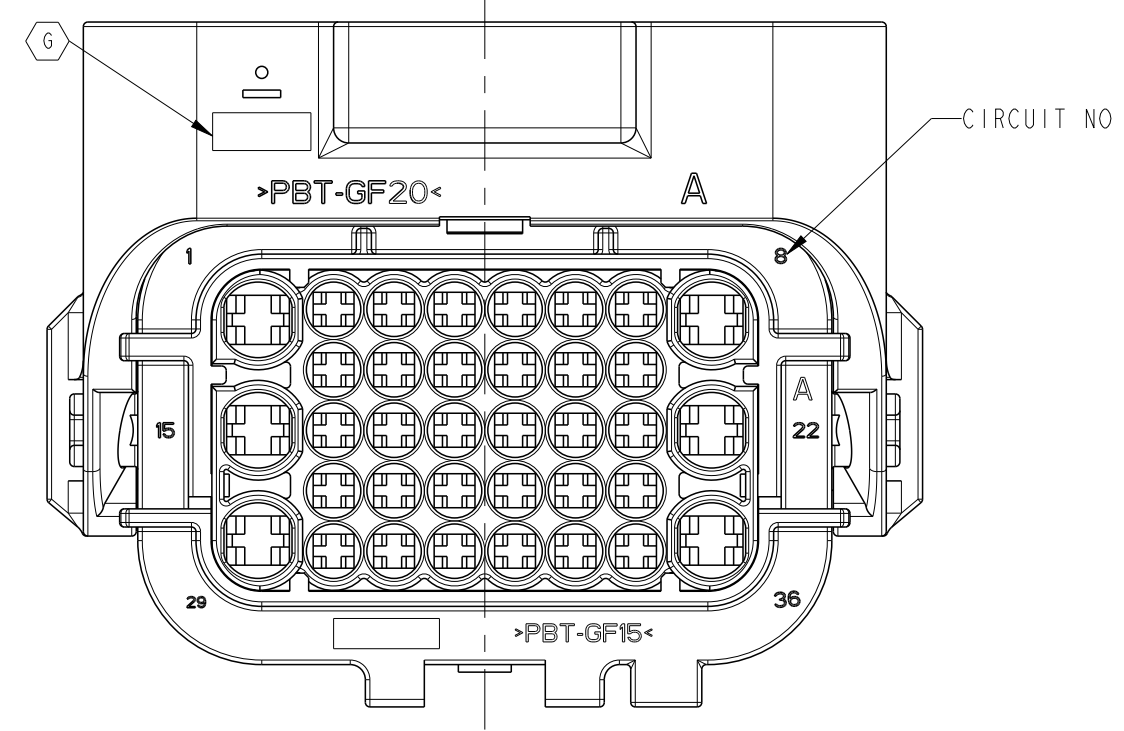
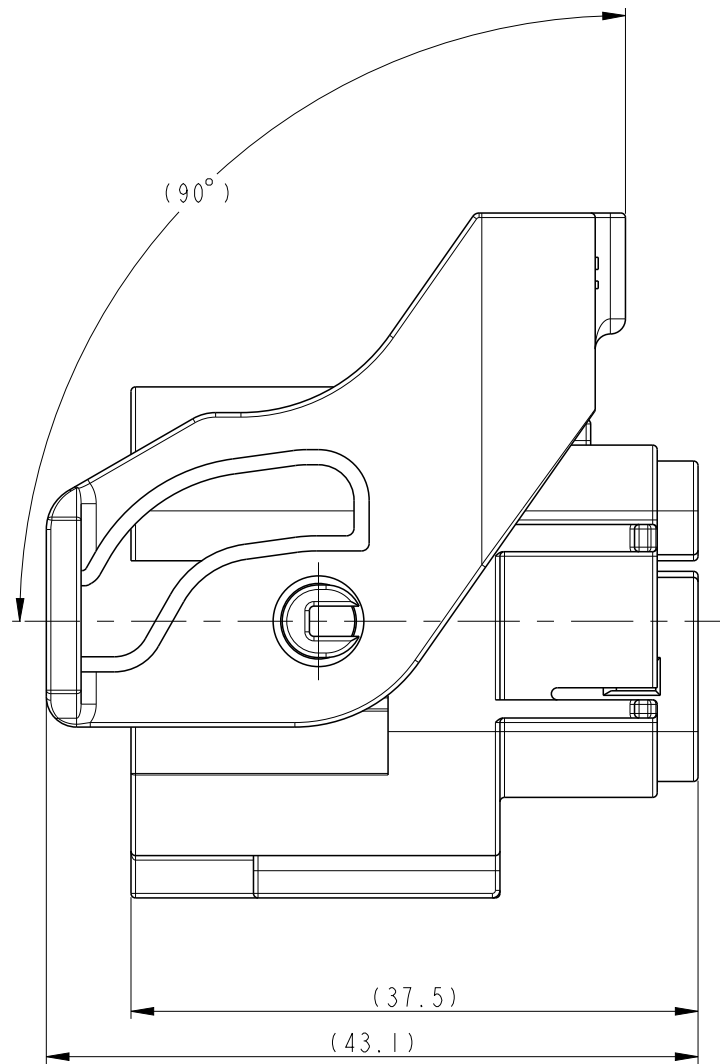
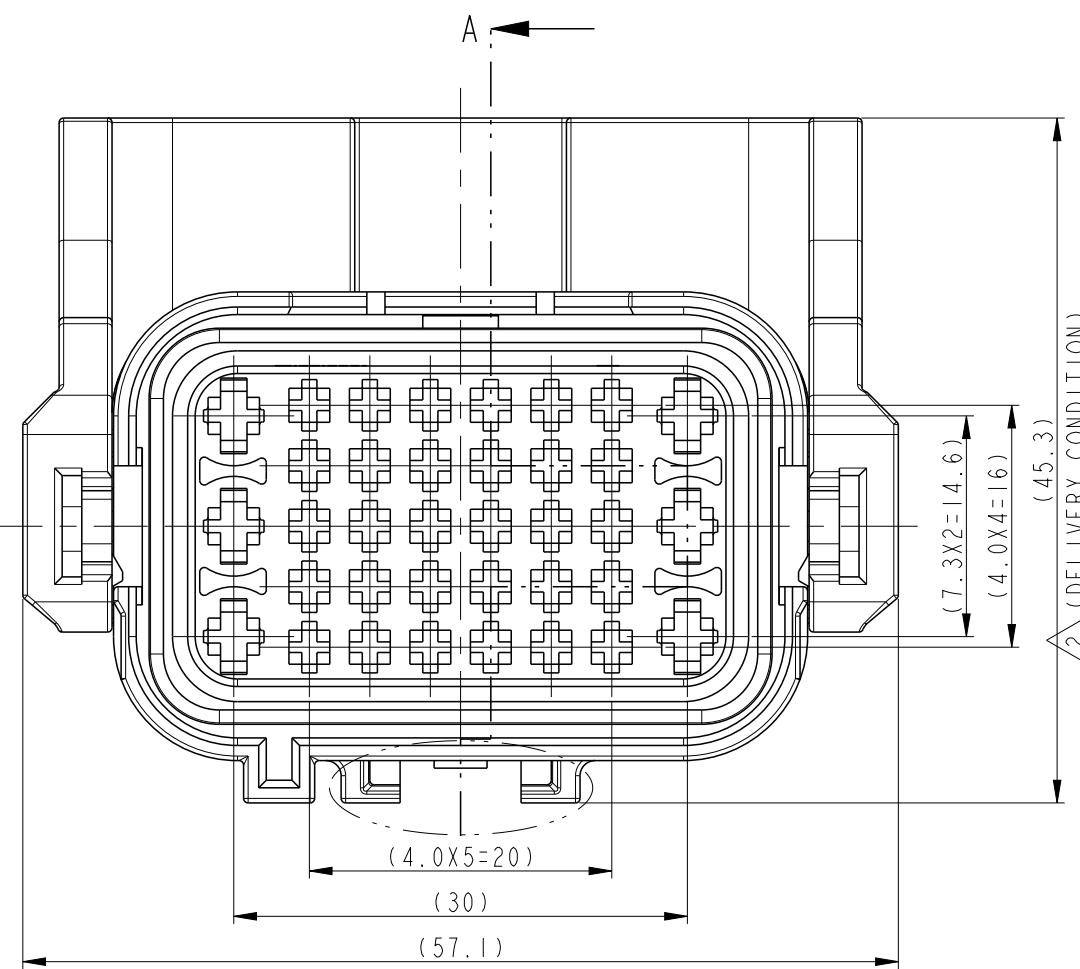
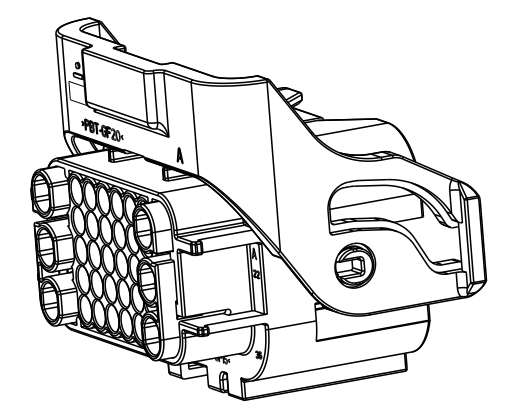


REVISIONS					
P	LTR	DESCRIPTION	DATE	DWN	APVD
E	I	REVISED (ECR-16-009129)	23. JUN. '16	SJ	HG
F		REVISED (ECR-17-008875)	02NOV2017	SJ	KT
F	I	REVISED (ECR-18-009554)	09. JUL '18	EW	YJ
G		REVISED (ECR-21-002339)	24FEB2021	CH	YJ



- NOTES:
 1. GENERAL TOLERANCE IS ± 0.3 , $\pm 3^\circ$
 2. CONDITION OF DELIVERY
 3. APPLIED CAP ASS'Y P/N : X-1743062-X
 APPLIED WIRE COVER P/N : X-1743064-X
 4. APPLIED RECEPTACLE CONTACT P/N : TABLE 1
 5. APPLIED WIRE SEAL P/N : TABLE 2



<TABLE 1>

TYPE	Part No.	WIRE SIZE (mm ²)	FINISH
MTII	0-962875-1	0.25 ~ 0.5	CuSn4
	0-962875-3		CuSn4(GOLD)
	0-962876-1	0.5 ~ 1.0	CuSn4
	0-962876-3		CuSn4(GOLD)
JPT	0-927770-3	0.5 ~ 0.85	CuSn4
	2-927770-1		CuSn4(GOLD)
	0-927766-3	1.25 ~ 2.0	CuSn4
	2-927766-1		CuSn4(GOLD)

<TABLE 2>

TYPE	Part No.	WIRE INSULATION DIAMETER(mm)	COLOR
MTII	964971-1	1.2 ~ 1.6	RED
	963530-1	1.7 ~ 1.9	GRAY
	963531-1	CAVITY PLUG	WHITE
JPT	828904-1	1.2 ~ 2.1	BLUE
	828905-1	2.2 ~ 3.0	WHITE
	828922-1	CAVITY PLUG	NATURAL

NO.	COLOR/FINISH	MATERIAL	DESCRIPTION	Q'TY	ASS'Y P/N
4	-	SILICONE	INNER SEAL	1	0-1743059-1
3	GRAY (RAL 7004)	PBT-GF20	LEVER HSG	1	0-1743059-2
	BLACK (RAL 9011)	PBT-GF20		-	1-1743059-2
2	DARK GRAY (RAL 7012)	PBT-GF15	MAIN BODY PLUG HSG	-	0-1743059-3
	BLACK (RAL 9011)	PBT-GF15		1	-
1	NATURAL	PBT-GF15	FRONT PLUG HSG	1	-
1	BLACK (RAL 9011)	PBT-GF15	FRONT PLUG HSG	1	-

THIS DRAWING IS A CONTROLLED DOCUMENT.

DIMENSIONS: mm

TOLERANCES UNLESS OTHERWISE SPECIFIED:

0 PLC	±
1 PLC	±
2 PLC	±
3 PLC	±
4 PLC	±
ANGLES	±
FINISH	±

MATERIAL: SEE TABLE

DWN: YD LEE
 CHK: BM JANG
 APVD: CS LEE
 PRODUCT SPEC

APPLICATION SPEC

WEIGHT: -

CUSTOMER DRAWING

NAME: PLUG ASS'Y FOR MTII JPT SLD 36P

SIZE: A2 CAGE CODE: 00779 DRAWING NO: 1743059 RESTRICTED TO: -

SCALE: 2:1 SHEET: 1 OF 1 REV: G