

# ME 17,5 UT BUS 10+2 GN - Mounting base housing



2697657

<https://www.phoenixcontact.com/us/products/2697657>

Please be informed that the data shown in this PDF document is generated from our online catalog. Please find the complete data in the user documentation. Our general terms of use for downloads are valid.



DIN rail housing, Lower housing part with metal foot catch, tall design, with vents, width: 17.6 mm, height: 99 mm, depth: 107.3 mm, color: green, cross connection: integrated bus connector, number of positions cross connector: 10+2, Bus connector: 10 parallel contacts, 2 serial contacts

## Your advantages

- Tool-free mounting
- Available in overall widths from 12.5 mm to 90 mm, modular extension possible
- Flammability rating V0 in accordance with UL 94
- Variety of connection technology
- Can be mounted on the DIN rail
- With integrated or DIN-rail-mountable bus connector as an option

## Commercial data

Item number	2697657
Packing unit	10 pc
Minimum order quantity	10 pc
Sales key	AC08
Product key	ACHAAB
GTIN	4017918995874
Weight per piece (including packing)	49.38 g
Weight per piece (excluding packing)	49.38 g
Customs tariff number	85369010
Country of origin	DE

# ME 17,5 UT BUS 10+2 GN - Mounting base housing



2697657

<https://www.phoenixcontact.com/us/products/2697657>

## Technical data

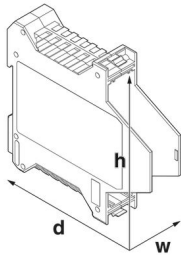
### Notes

General	Refer to the data sheet for the range in the download area.
General	Material of contact pads for bus connector, galvanic gold (hard gold)

### Product properties

Type	Lower housing parts with vents, housing cover necessary to complete the module
Product type	Enclosure bottom part
Product family	ME UT BUS
Type	Lower housing part with metal foot catch, tall design
Housing type	DIN rail housing
Ventilation openings present	yes
Housing series	ME

### Dimensions

Dimensional drawing	
Width	17.6 mm
Height	99 mm
Depth	107.3 mm
Depth from top edge of DIN rail	100.7 mm
Depth from top edge of DIN rail to support point on upper part	68.5 mm
Dimensions	17.6 mm (Without integrated bus connector)

### PCB design

PCB thickness	1.4 mm ... 1.8 mm
---------------	-------------------

### Material specifications

Color (Housing)	green (RAL 6021)
Flammability rating according to UL 94	V0
CTI according to IEC 60112	600
Surface characteristics	untreated
Housing material	Polyamide

### Environmental and real-life conditions

# ME 17,5 UT BUS 10+2 GN - Mounting base housing



2697657

<https://www.phoenixcontact.com/us/products/2697657>

## Power dissipation single housing for 20 °C

Ambient temperature	20 °C
Reduction factor	1
Mounting position	vertical
Power dissipation	5.2 W

## Power dissipation single housing for 30 °C

Ambient temperature	30 °C
Reduction factor	0.91
Mounting position	vertical
Power dissipation	4.7 W

## Power dissipation single housing for 40 °C

Ambient temperature	40 °C
Reduction factor	0.81
Mounting position	vertical
Power dissipation	4.2 W

## Power dissipation single housing for 50 °C

Ambient temperature	50 °C
Reduction factor	0.7
Mounting position	vertical
Power dissipation	3.6 W

## Power dissipation single housing for 60 °C

Ambient temperature	60 °C
Reduction factor	0.57
Mounting position	vertical
Power dissipation	3 W

## Power dissipation single housing for 70 °C

Ambient temperature	70 °C
Reduction factor	0.49
Mounting position	vertical
Power dissipation	2.5 W

## Vibration test

Specification	IEC 60068-2-6:2007-12
Frequency	10 - 150 - 10 Hz
Sweep speed	1 octave/min
Amplitude	0.15 mm (10 Hz ... 58.1 Hz)
Acceleration	2g (58.1 Hz ... 150 Hz)
Test duration per axis	2.5 h
Test directions	X-, Y- and Z-axis

## Glow-wire test

Specification	IEC 60695-2-11:2014-02
---------------	------------------------

# ME 17,5 UT BUS 10+2 GN - Mounting base housing



2697657

<https://www.phoenixcontact.com/us/products/2697657>

Temperature	850 °C
Time of exposure	30 s

## Thermal stability / ball thrust test

Specification	IEC 60695-10-2:2014-02
Temperature	125 °C
Test duration	1 h
Force	20 N

## Mechanical strength / tumbling barrel

Specification	IEC 60998-1:2002-12
Height of fall	50 cm
Frequency	10

## Shocks

Specification	IEC 60068-2-27:2008-02
Pulse shape	Half-sine
Acceleration	15g
Shock duration	11 ms
Number of shocks per direction	3
Test directions	X-, Y- and Z-axis (pos. and neg.)

## Degree of protection (IP code)

Specification	IEC 60529:1989-11 + AMD 1:1999-11 + AMD 2:2013-08
---------------	---

## Ambient conditions

Max. IP code to attain	IP20
Ambient temperature (operation)	-40 °C ... 105 °C (depending on power dissipation)
Ambient temperature (storage/transport)	-40 °C ... 55 °C
Ambient temperature (assembly)	-5 °C ... 100 °C
Relative humidity (storage/transport)	80 %

## PCB data

Number of PCB holders	1
Type of PCB mount	Insertion (optional latching by PCB stop)
Thickness of the PCB	1.4 mm ... 1.8 mm

## Mounting

Mounting type	DIN rail mounting
Mounting position	Vertical (horizontal DIN rail)

## Packaging specifications

Type of packaging	packed in cardboard
Outer packaging type	Carton

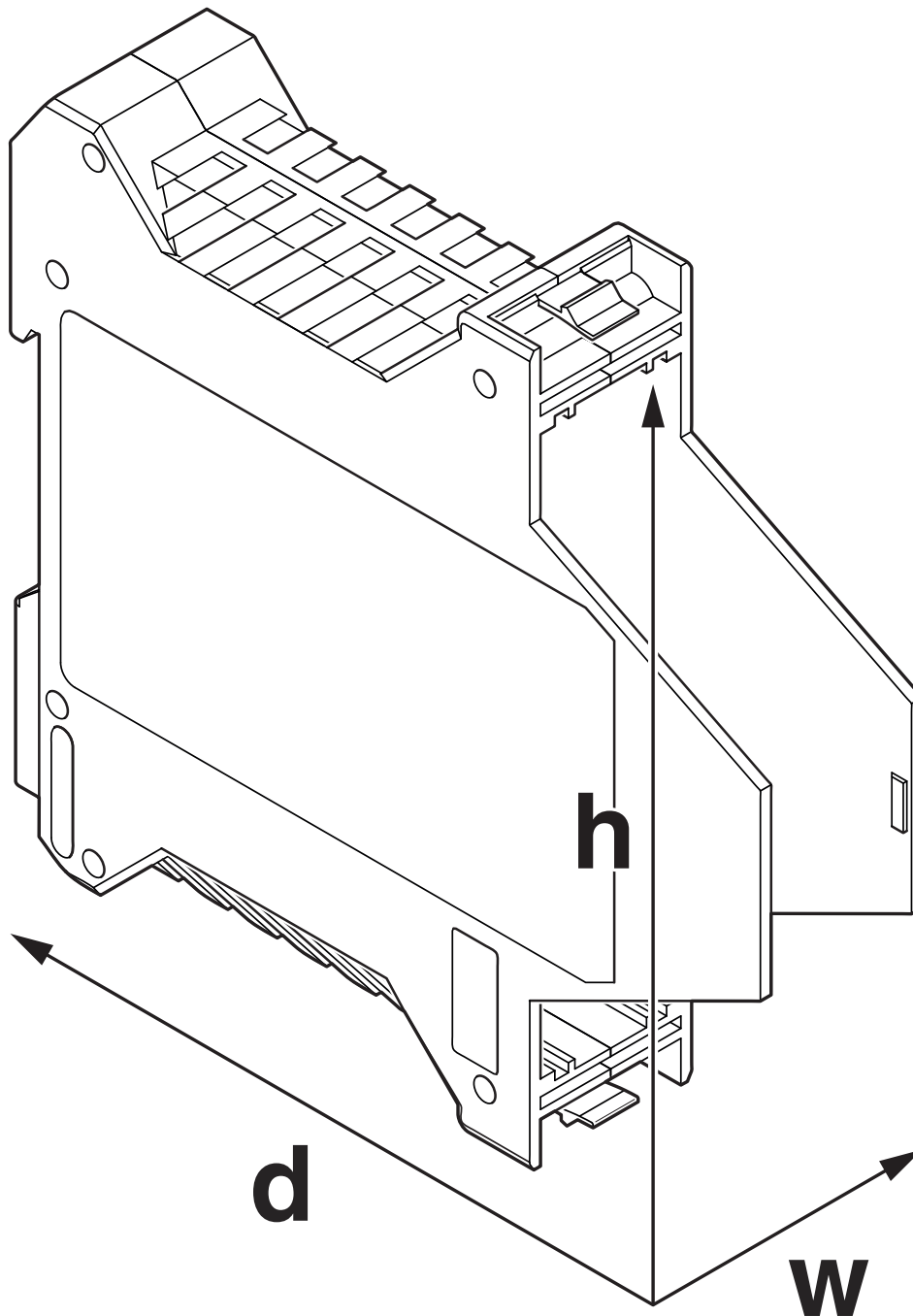
# ME 17,5 UT BUS 10+2 GN - Mounting base housing

2697657

<https://www.phoenixcontact.com/us/products/2697657>

## Drawings

Dimensional drawing



Schematic figure for illustrating the item dimensions. The figure is not of the desired product. For further details, refer to the product drawings in the "Downloads" tab.

# ME 17,5 UT BUS 10+2 GN - Mounting base housing





2697657

<https://www.phoenixcontact.com/us/products/2697657>

## Approvals

To download certificates, visit the product detail page: <https://www.phoenixcontact.com/us/products/2697657>

 <b>cUL Recognized</b> Approval ID: FILE E 60425				
	Nominal voltage $U_N$	Nominal current $I_N$	Cross section AWG	Cross section $\text{mm}^2$
Use group B	300 V	8 A	-	-
Use group D	300 V	8 A	-	-

 <b>UL Recognized</b> Approval ID: FILE E 60425				
	Nominal voltage $U_N$	Nominal current $I_N$	Cross section AWG	Cross section $\text{mm}^2$
Use group B	300 V	8 A	-	-
Use group D	300 V	8 A	-	-

<b>cULus Recognized</b>				
-------------------------	--	--	--	--

# ME 17,5 UT BUS 10+2 GN - Mounting base housing



2697657

<https://www.phoenixcontact.com/us/products/2697657>

## Classifications

### ECLASS

ECLASS-11.0	27182702
ECLASS-13.0	27190601

### ETIM

ETIM 9.0	EC001031
----------	----------

### UNSPSC

UNSPSC 21.0	31261500
-------------	----------

# ME 17,5 UT BUS 10+2 GN - Mounting base housing



2697657

<https://www.phoenixcontact.com/us/products/2697657>

## Environmental product compliance

China RoHS	Environmentally friendly use period: unlimited = EFUP-e
	No hazardous substances above threshold values



# ME 17,5 UT BUS 10+2 GN - Mounting base housing

2697657

<https://www.phoenixcontact.com/us/products/2697657>

## Mandatory accessories

### ME 17,5 OT-MSTBO GN - Upper part of housing

2906827

<https://www.phoenixcontact.com/us/products/2906827>

DIN rail housing, Upper housing part for connectors with header, width: 17.6 mm, height: 99 mm, depth: 45.85 mm, color: green



---

### ME 17,5 OT-MKDSO GN - Upper part of housing

2906843

<https://www.phoenixcontact.com/us/products/2906843>

DIN rail housing, Upper housing part for PCB terminal blocks with screw connection, width: 17.6 mm, height: 99 mm, depth: 45.85 mm, color: green



# ME 17,5 UT BUS 10+2 GN - Mounting base housing

2697657

<https://www.phoenixcontact.com/us/products/2697657>

## ME 17,5 OT-MSTBO SET - Upper part of housing

2907431

<https://www.phoenixcontact.com/us/products/2907431>

DIN rail housing, Set comprised of upper housing part, 4 PCB headers (3-pos.), and 4 PCB terminal blocks with screw connection (3-pos.), width: 17.6 mm, height: 99 mm, depth: 45.85 mm, color: green



---

## ME 17,5 OT-MKDSO SET - Upper part of housing

2907460

<https://www.phoenixcontact.com/us/products/2907460>

DIN rail housing, Set comprised of upper housing part and 4 PCB terminal blocks (3-pos.) with screw connection, width: 17.6 mm, height: 99 mm, depth: 45.85 mm, color: green



---

## Accessories

# ME 17,5 UT BUS 10+2 GN - Mounting base housing



2697657

<https://www.phoenixcontact.com/us/products/2697657>

## ME LPZS - PCB stop

2906911

<https://www.phoenixcontact.com/us/products/2906911>



DIN rail housing, after approx. 4 cm, the ME LPZS PCB pull-out stop prevents the PCB from being removed completely and locks the PCB in place

---

## ME DH27 NS 35 - Spacer

2908760

<https://www.phoenixcontact.com/us/products/2908760>



Spacer, for protecting the input and output contacts for NS 35 DIN rails

# ME 17,5 UT BUS 10+2 GN - Mounting base housing

2697657

<https://www.phoenixcontact.com/us/products/2697657>

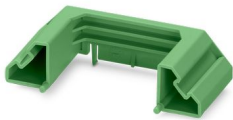


## ME DH36 NS 35 - Spacer

2909895

<https://www.phoenixcontact.com/us/products/2909895>

Spacers, for protection of the input or output contacts for DIN rail NS 35, width [B] 36 mm



---

## ME B-SA/NS 35 - Cover

2935959

<https://www.phoenixcontact.com/us/products/2935959>

Terminal cover, 1 strip covers up to 12 terminal points, for ME-BUS male side, (female side)



# ME 17,5 UT BUS 10+2 GN - Mounting base housing

2697657

<https://www.phoenixcontact.com/us/products/2697657>

## MCVR 1,5/ 5-ST-3,81 AU - PCB connector

1893203

<https://www.phoenixcontact.com/us/products/1893203>



PCB connector, nominal cross section: 1.5 mm<sup>2</sup>, color: green, nominal current: 8 A, rated voltage (III/2): 160 V, contact surface: Gold, contact connection type: Socket, number of potentials: 5, number of rows: 1, number of positions: 5, number of connections: 5, product range: MCVR 1,5/...-ST, pitch: 3.81 mm, connection method: Screw connection with tension sleeve, screw head form: L Slotted, conductor/PCB connection direction: 90 °, plug-in system: COMBICON MC 1,5, locking: without, mounting: without, type of packaging: packed in cardboard

## ME B-KA - Cover

2854173

<https://www.phoenixcontact.com/us/products/2854173>



Terminal cover, 1 strip covers up to 12 terminal points, for ME-BUS terminal opening, (male side)

# ME 17,5 UT BUS 10+2 GN - Mounting base housing



2697657

<https://www.phoenixcontact.com/us/products/2697657>

## EML (44X64)R-ME - Label for ME ... UT ... BUS ... housing

0828266

<https://www.phoenixcontact.com/us/products/0828266>



Label for ME ... UT ... BUS ... housing, Roll, white, unlabeled, can be labeled with: THERMOMARK ROLLMASTER 300/600, THERMOMARK X1.2, THERMOMARK ROLL X1, THERMOMARK ROLL 2.0, THERMOMARK ROLL, mounting type: adhesive, lettering field size: 44 x 64 mm, Number of individual labels: 200

---

Phoenix Contact 2024 © - all rights reserved

<https://www.phoenixcontact.com>

Phoenix Contact USA  
586 Fulling Mill Road  
Middletown, PA 17057, United States  
(+717) 944-1300  
[info@phoenixcon.com](mailto:info@phoenixcon.com)