

# SAC-4P-M8MR/ 5,0-680 FDN - Sensor/actuator cable



1095930

<https://www.phoenixcontact.com/us/products/1095930>

Please be informed that the data shown in this PDF document is generated from our online catalog. Please find the complete data in the user documentation. Our general terms of use for downloads are valid.



Sensor/actuator cable, 4-position, PVC, gray, shielded (Plastic-coated aluminum foil connection with a drain wire), Plug angled M8, on free cable end, cable length: 5 m, Foil shielding plus drain wire

## Commercial data

Item number	1095930
Packing unit	1 pc
Note	Made to order (non-returnable)
Sales key	BF13
Product key	BF1IEF
GTIN	4055626928814
Weight per piece (including packing)	22.22 g
Weight per piece (excluding packing)	22.22 g
Country of origin	US

1095930

<https://www.phoenixcontact.com/us/products/1095930>

## Technical data

### Product properties

Product type	Sensor/actuator cable
Number of positions	4
Application	Standard, U.S. cables
No. of cable outlets	1
Shielded	yes
Coding	A

### Insulation characteristics

Overvoltage category	II
Degree of pollution	3

### Material specifications

Flammability rating according to UL 94	HB
Material of grip body	TPU, hardly inflammable, self-extinguishing
Contact material	CuSn
Contact surface material	Ni/Au
Contact carrier material	TPU GF
Material for screw connection	Zinc die-cast, nickel-plated

### Electrical properties

Contact resistance	$\leq 5 \text{ m}\Omega$
Insulation resistance	$\geq 100 \text{ M}\Omega$
Nominal voltage $U_N$	48 V AC
	60 V DC
Nominal current $I_N$	4 A
Protective circuit	unwired

### Mechanical properties

#### Mechanical data

Insertion/withdrawal cycles	$\geq 100$
-----------------------------	------------

### Signaling

Status display	No
Status display present	No

### Connection data

#### Conductor connection

Tightening torque	0.2 Nm (M8 connectors)
-------------------	------------------------

### Connector

# SAC-4P-M8MR/ 5,0-680 FDN - Sensor/actuator cable



1095930

<https://www.phoenixcontact.com/us/products/1095930>

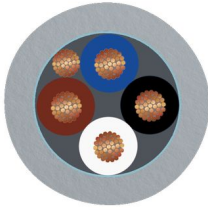
## Connection 1

Type	Plug angled M8
------	----------------

## Connection 2

Type	free cable end
------	----------------

## Cable/line

Cable length	5 m
Dimensional drawing	
Cable weight	30.3 kg/km
UL AWM Style	2517 (105 °C / 300 V)
Number of positions	4
Shielded	yes
AWG signal line	24
Wire diameter incl. insulation	1.12 mm ±0.03 mm
External cable diameter	4.45 mm ±0.2 mm
Outer sheath, material	PVC
External sheath, color	gray
Conductor material	Tin-plated Cu litz wires
Material wire insulation	PVC (Signal line)
Single wire, color	brown, white, blue, black
Type of pair shielding	Plastic-coated aluminum foil, aluminum side inside
Overall twist	Conductors, fillers, and drain wire are twisted with left-hand lay
Max. conductor resistance	max. 80.2 Ω/km (20 °C)
Insulation resistance	≥ (550 M Ohms/m @ 500V)
Nominal voltage, cable	300 V
Minimum bending radius, flexible installation	8 x D
Smallest bending radius, movable installation	36 mm
Flame resistance	FT4
Other resistance	UV resistant
Ambient temperature (operation)	-30 °C ... 105 °C (cable, fixed installation)

## Environmental and real-life conditions

### Ambient conditions

Degree of protection	IP65
	IP67

# SAC-4P-M8MR/ 5,0-680 FDN - Sensor/actuator cable



1095930

<https://www.phoenixcontact.com/us/products/1095930>

	IP68
Ambient temperature (operation)	-25 °C ... 90 °C (Plug / socket)
	-40 °C ... 80 °C (cable, fixed installation)
	-5 °C ... 80 °C (Cable, flexible installation)

## Standards and regulations

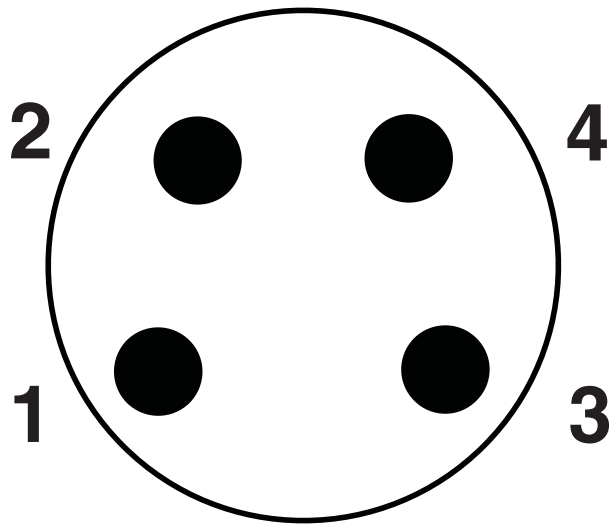
Standard designation	M8 connector
Standards/specifications	IEC 61076-2-104

Drawings

Circuit diagram



Schematic diagram



Pin assignment M8 plug, 4-pos., view male side

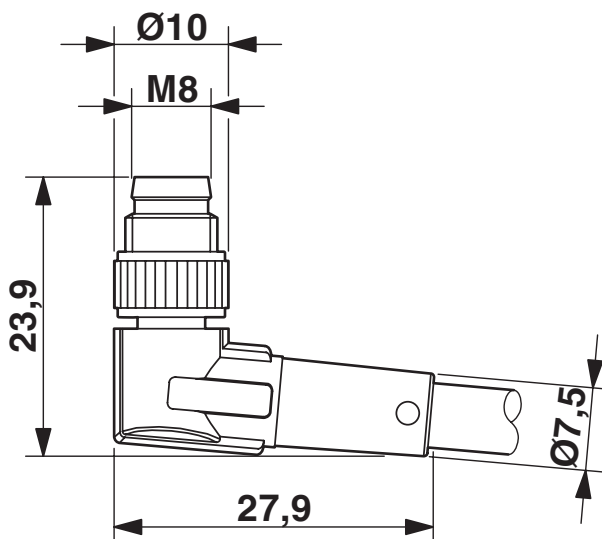
# SAC-4P-M8MR/ 5,0-680 FDN - Sensor/actuator cable

1095930

<https://www.phoenixcontact.com/us/products/1095930>



Dimensional drawing



M8 x 1 male plug, angled version

# SAC-4P-M8MR/ 5,0-680 FDN - Sensor/actuator cable





1095930

<https://www.phoenixcontact.com/us/products/1095930>

## Approvals

To download certificates, visit the product detail page: <https://www.phoenixcontact.com/us/products/1095930>

 <b>UL Listed</b> Approval ID: FILE E 221474				
	Nominal voltage $U_N$	Nominal current $I_N$	Cross section AWG	Cross section $\text{mm}^2$
	30 V	4 A	-	-

 <b>cUL Listed</b> Approval ID: FILE E 221474				
	Nominal voltage $U_N$	Nominal current $I_N$	Cross section AWG	Cross section $\text{mm}^2$
	30 V	4 A	-	-

<b>cULus Listed</b>				
---------------------	--	--	--	--

# SAC-4P-M8MR/ 5,0-680 FDN - Sensor/actuator cable



1095930

<https://www.phoenixcontact.com/us/products/1095930>

## Classifications

### ECLASS

ECLASS-11.0	27060311
ECLASS-12.0	27060311
ECLASS-13.0	27060311

### UNSPSC

UNSPSC 21.0	31251501
-------------	----------



# SAC-4P-M8MR/ 5,0-680 FDN - Sensor/actuator cable



1095930

<https://www.phoenixcontact.com/us/products/1095930>

## Environmental product compliance

REACH SVHC	Lead 7439-92-1
China RoHS	Environmentally Friendly Use Period = 50 years
	For information on hazardous substances, refer to the manufacturer's declaration available under "Downloads"

# SAC-4P-M8MR/ 5,0-680 FDN - Sensor/actuator cable



1095930

<https://www.phoenixcontact.com/us/products/1095930>

## Accessories

### PROT-M 8 FS-PA-CHAIN - Sealing cap

1430857

<https://www.phoenixcontact.com/us/products/1430857>

M8 sealing cap made of plastic with fixing band for sensor cables, for M8 plugs



---

### PROT-M 8 MS-PA-CHAIN - Screw plug

1430860

<https://www.phoenixcontact.com/us/products/1430860>

M8 sealing cap made of plastic with fixing band for sensor cables, for M8 sockets



# SAC-4P-M8MR/ 5,0-680 FDN - Sensor/actuator cable



1095930

<https://www.phoenixcontact.com/us/products/1095930>

## TSD 02 SAC - Torque screwdriver

1208487

<https://www.phoenixcontact.com/us/products/1208487>



Torque screwdriver, with preset torque of 0.2 Nm and 4 mm hexagonal drive for M8 connectors

---

## SAC BIT M8-D10 - Tool

1208461

<https://www.phoenixcontact.com/us/products/1208461>



Nut for assembling M8 connectors with longitudinal knurl and a knurl diameter of 10 mm, for 4 mm hexagonal drive

---

Phoenix Contact 2024 © - all rights reserved  
<https://www.phoenixcontact.com>

Phoenix Contact USA  
586 Fulling Mill Road  
Middletown, PA 17057, United States  
(+717) 944-1300  
[info@phoenixcon.com](mailto:info@phoenixcon.com)