

N= NUMBER OF POLES

Dim A	Nx5.08
Dim B	(N-1)x5.08
Dim C	(N-1)x5.08

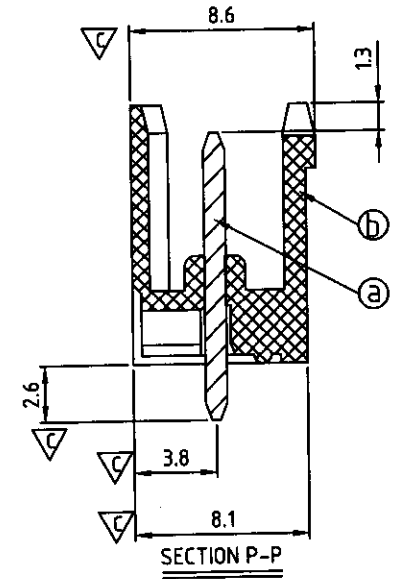
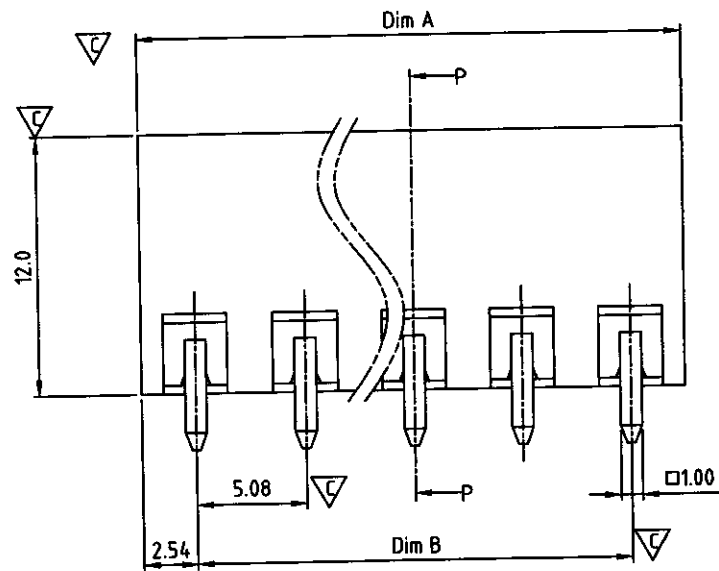
Poles	Tolerance
2P-3P	±0.15
4P-8P	±0.20
9P-12P	±0.25

SIGN	DATE	DESCRIPTION	APPROVER
△			

THIS IS CAD DRAWING, DO NOT REVISE MANUALLY!!!

- Material:
- Item ㉑ Male contact pin: Copper Tin plated
 - Item ㉒ Terminal(housing): High temp. polyamide (UL94V-0)

- Electrical: cULus
- Voltage rating: 300V
 - Current rating: 20A
 - Withstanding Voltage: 1.6 KV
 - Operating temperature: -45°C to +65°C
 - Soldering temperature: 280°C/10 Sec
 - Safety Approval:
 - Critical dimension: ▽

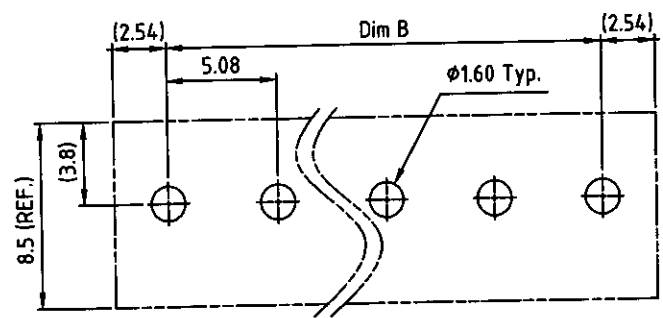
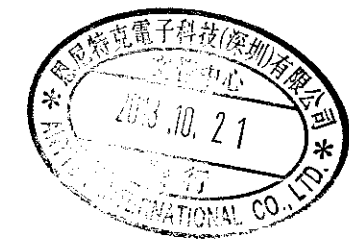


OQ xx 5 A x 0 xxxx G

No. OF POLES
 02 : 2 POLES
 03 : 3 POLES
 :
 :
 12 : 12 POLES

Color
 0 Black (RAL9005)

G RoHS compliant (lead<4%) In copper Alloy
 0000: "@ Logo (Standard)
 000A: "ANYTEK" Mark
 Any special item by customer request, please contact sales department.



ANYTEK		CUSTOMER COPY	
ALL RIGHTS RESERVED. REPRODUCTION OR ISSUE TO THIRD PARTIES IN ANY FORM WHATSOEVER IS NOT PERMITTED WITHOUT WRITTEN AUTHORITY FROM THE PROPRIETOR. PROPERTY OF ANYTEK TECHNOLOGY CO., LTD			
TITLE	OQ 5.08mm 180° Series 2P-12P Open THR TYPE		
PART NO.	OQxx5A000000G/AG	DWG NO.	80Q0102
APPROVED	CHECKED	DESIGNED	DRAWN
		Chen Bo 10/17 13	Chen Bo 09/18 13
SHEET: 01/01		UNIT: mm	Tolerance
SCALE: NONE		REV: B	X. ±0.50
			X.X ±0.30
			X.XX ±0.10
			X* ±1°