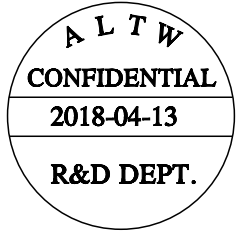
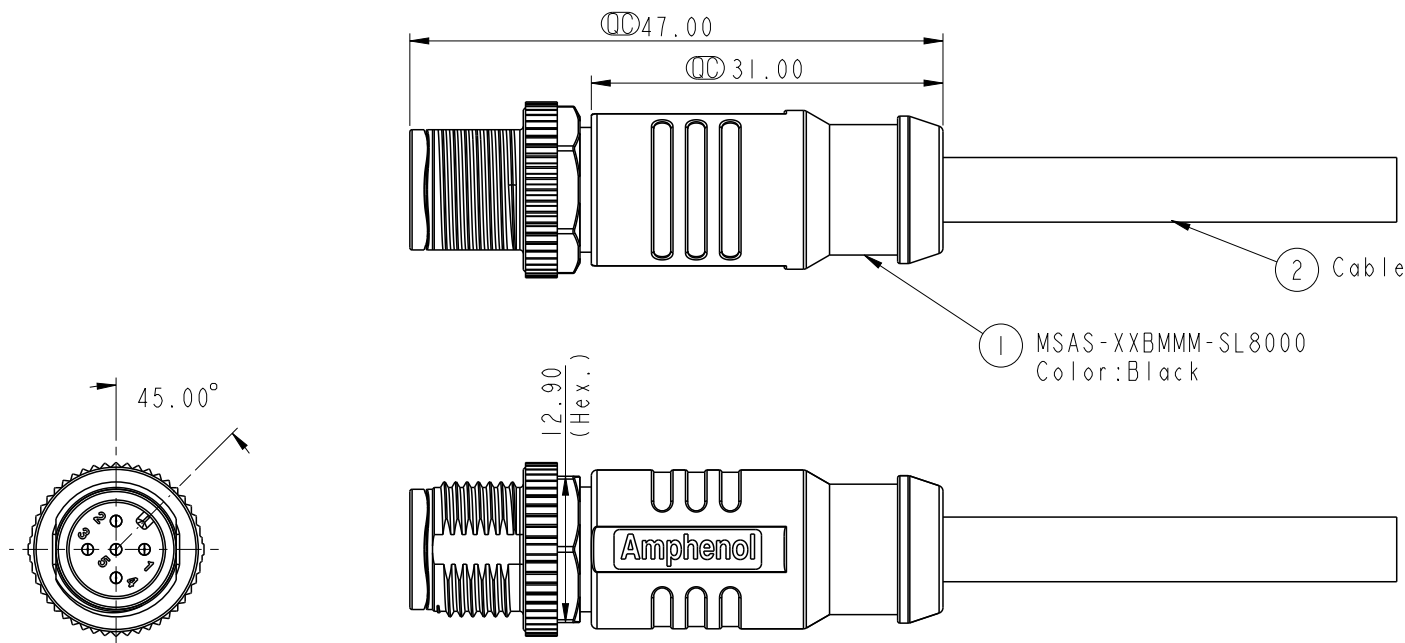


THIS DOCUMENT IS SUBJECT TO CHANGE WITHOUT NOTICE. IT IS CONFIDENTIAL AND A PROPERTY OF Amphenol LTW. DISCLOSURE TO THIRD PARTY HAS TO BE AUTHORIZED BY Amphenol LTW.

REV.	ECN NO.	DATE	SIGN	DESCRIPTION
A		2018/04/13	Brady	New Initial



- Notes:
- * \varnothing Important Dimension.
 - * Waterproof Rate: IP68(Under water 1M for 24Hrs).
 - * Connector: Nylon+GF, Black.
 - * Male Pin: Copper Alloy, Gold Plated.
 - * Screw Nut: Zinc Alloy, Nickel Plated.
 - * Outer Mold: PP, Black.
 - * Cable: UL2517, Shield, PVC Jacket,UV resistant. Black.
UL20549,Shield, PU Jacket, Black.
 - * Rated Voltage: 3 & 4Pin 250V dc. or ac.
5Pin 60V dc. or ac.
6~12Pin 30V dc. or ac.
 - * Rated Current: 3~5Pin 4A
6~8Pin 2A
10~12Pin 1.5A
 - * Operating Temperature: -25~85°C

UNIT:mm TOLERANCE $\pm 0.5mm$	TITLE M12 Shielded A Code Cable Male Conn.			<h1>Amphenol LTW</h1> <p>安費諾亮泰企業股份有限公司</p>	ITEM NO	DRAWN BY Brady	DATE 2018/04/13
	SCALE 3:2	SIZE A4	SHEET 1 OF 3		DWG NO MSAS-XXBMMM-SL8XXX	CHECKED BY Neo	DATE 2018/04/13
	REV. A	WC-REV. A.1	\varnothing : Inspection item		CUSTOMER ALTW	APPROVED BY Max	DATE 2018/04/13

THIS DOCUMENT IS SUBJECT TO CHANGE WITHOUT NOTICE. IT IS CONFIDENTIAL AND A PROPERTY OF Amphenol LTW. DISCLOSURE TO THIRD PARTY HAS TO BE AUTHORIZED BY Amphenol LTW.

12P	PU	6.4	26	MSAS-12BMMM-SL8EXX
8P		5.8	24	MSAS-08BMMM-SL8EXX
5P		5.7	22	MSAS-05BMMM-SL8EXX
12P	PVC	6.4	26	MSAS-12BMMM-SL8DXX
8P		5.8	24	MSAS-08BMMM-SL8DXX
5P		5.7	22	MSAS-05BMMM-SL8DXX
Contacts	Cable Jacket	Cable OD	AWG	Item No.

M SAS - XX B M M M - S L 8 X XX

12A: A-Code Shielded

05: 5Pin
08: 8Pin
12: 12Pin

XX: 01~99Meters
01: 01Meter
02: 02Meters
:
99: 99Meters

D: PVC UL2517 Cable, Black (PVC 黑色外被線材)
E: PU UL20549 Cable, Black (PU 黑色外被線材)

8: IP68 (防水等級68)

L: Straight (180° 線端)

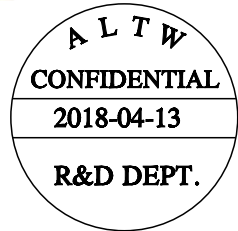
S: Screw (螺紋式)

M: Molding Type (射出成型)

B: Cable Without S/R (線端無網尾)

M: Male Connector (公座)

M: Male Pin (公Pin)



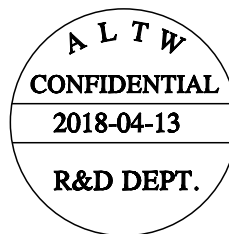
UNIT: mm		
TOLERANCE		
±0.5mm		

TITLE M12 Shielded A Code Cable Male Conn.		
SCALE 3:2	SIZE A4	SHEET 2 OF 3
REV. A	WC-REV. A.1	QC: Inspection item

Amphenol LTW
安費諾亮泰企業股份有限公司

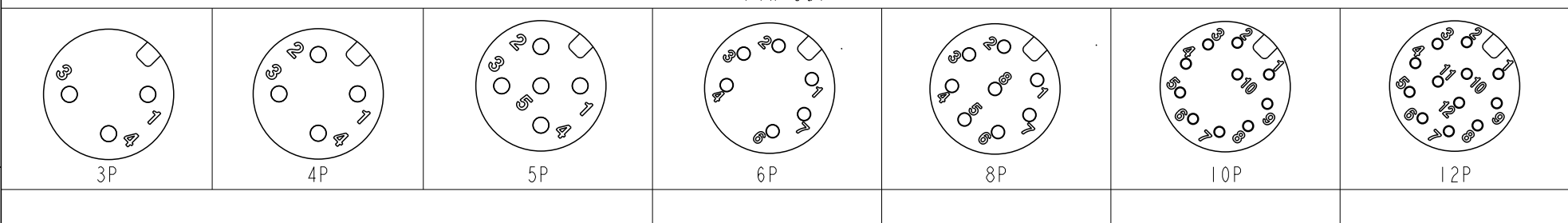
ITEM NO	DRAWN BY Brady	DATE 2018/04/13
DWG NO MSAS-XXBMMM-SL8XXX	CHECKED BY Neo	DATE 2018/04/13
CUSTOMER ALTW	APPROVED BY Max	DATE 2018/04/13

THIS DOCUMENT IS SUBJECT TO CHANGE WITHOUT NOTICE. IT IS CONFIDENTIAL AND A PROPERTY OF Amphenol LTW. DISCLOSURE TO THIRD PARTY HAS TO BE AUTHORIZED BY Amphenol LTW.



5	--		5	--		5	Gray	灰	8	--	8	Red	紅	12	--	12	Red/Blue	紅/藍			
4	Black	黑	4	Black	黑	4	Black	黑	7	Blue	藍	7	Blue	藍	7	Blue	Blue	藍			
3	Blue	藍	3	Blue	藍	3	Blue	藍	6	Pink	粉	6	Pink	粉	6	Pink	Pink	粉			
2	--		2	White	白	2	White	白	5	--		5	Gray	灰	5	Gray	灰	5	Gray	灰	
1	Brown	棕	1	Brown	棕	1	Brown	棕	4	Yellow	黃	4	Yellow	黃	4	Yellow	Yellow	4	Yellow	黃	
									3	Green	綠	3	Green	綠	3	Green	Green	3	Green	綠	
									2	Brown	棕	2	Brown	棕	2	Brown	Brown	2	Brown	棕	
									1	White	白	1	White	白	1	White	White	1	White	白	
Pin #	Wire		Pin #	Wire		Pin #	Wire		Pin #	Wire		Pin #	Wire		Pin #	Wire	Pin #	Wire		Pin #	Wire

Pin Out



UNIT: mm TOLERANCE ±0.5mm		TITLE M12 Shielded A Code Cable Male Conn.		<h1>Amphenol LTW</h1> 安費諾亮泰企業股份有限公司	ITEM NO	DRAWN BY	DATE	
		SCALE 3:2	SIZE A4		SHEET 3 OF 3	DWG NO MSAS-XXBMM-SL8XXX	CHECKED BY Neo	DATE 2018/04/13
		REV. A	WC-REV. A.1		☉: Inspection item	CUSTOMER ALTW	APPROVED BY Max	DATE 2018/04/13