

PRODUCT DATA DRAWING

| REVISION HISTORY | | | |
|------------------|----------------|-------|----------|
| REV | DESCRIPTION | DATE | APPROVED |
| - | REL. DCN 34436 | 08/06 | STW |
| A | DCN 39493 | 11/12 | PJS |

MATERIAL:

BODY,
PRESS CAP &
COUPLING NUT:

STAINLESS STEEL PER AMS-5640,
ALLOY UNS S30300, TYPE 1

LOCK RING &
CONTACT:

BERYLLIUM COPPER PER ASTM B196,
ALLOY No. UNS C17300, TD04

RIVET:

BRASS PER ASTM B16, ALLOY UNS No. C36000

INSULATOR:

PTFE PER ASTM D1710, TYPE I, GRADE 1, CLASS B

GASKET:

SILICONE RUBBER PER ZZ-R-765,
CLASS 2B, GRADE 50/60

RESISTOR ELEMENT:

ALUMINA SUBSTRATE WITH
NICHROME RESISTOR

FINISH:

BODY:

GOLD PER ASTM B 488, TYPE I,
CODE C, CLASS 1.27; OVER NICKEL
PER AMS-QQ-N-290, CLASS 1, .00005" MIN.

PRESS CAP &
COUPLING NUT:

PASSIVATED PER AMS-2700, TYPE 2

CONTACT:

GOLD PER ASTM B488, TYPE II,
CODE C, CLASS 1.27; OVER NICKEL
PER AMS-QQ-N-290, CLASS 1, .00005" MIN.

RIVET:

NICKEL PER AMS-QQ-N-290, CLASS 1,
GRADE G

PERFORMANCE:

IMPEDANCE:

50 OHMS

FREQ. RANGE:

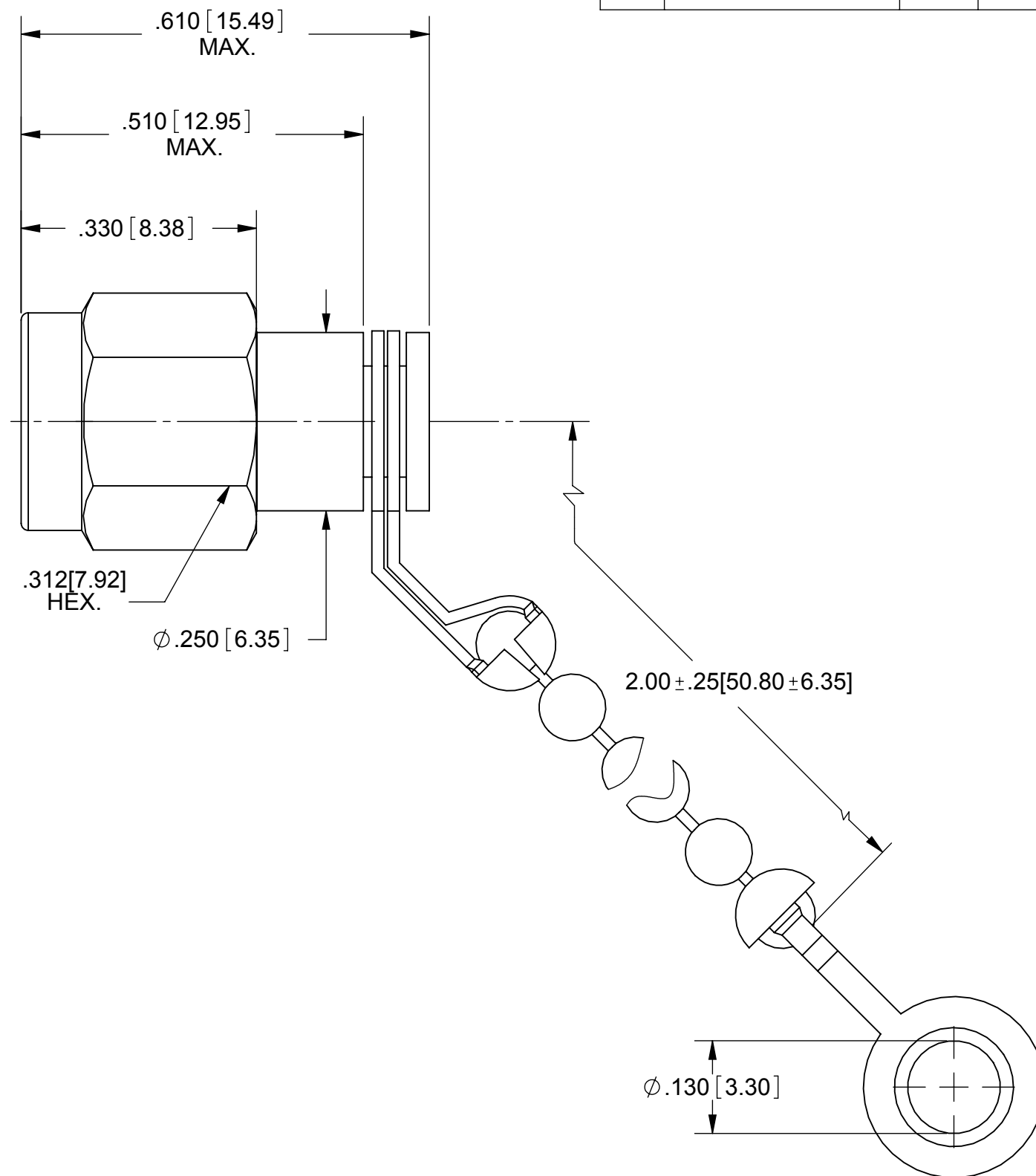
DC TO 18.0 GHz

VSWR:

1.05+.010F DC TO 18.0 GHz

AVG POWER:

0.5 WATTS (POWER INPUT DERATED LINEARLY FROM 25°C
TO 0.125 WATTS AT 125°C)



| | | | |
|--|--|--|---|
| MATERIAL: SEE NOTES | DIMENSIONS ARE IN INCHES TOLERANCES: FRACTIONAL: ±1/64 ANGULAR: X° ±1'0" X°X' ±15' | UNLESS OTHERWISE SPECIFIED 1) ALL DIMENSIONS ARE IN INCHES (MILLIMETERS) 2) ALL DIMENSIONS ARE AFTER PLATING. 3) BREAK CORNERS & EDGES .005 R. MAX. 4) CHAM. 1ST & LAST THREADS. 5) SURFACE ROUGHNESS 63-MIL-STD-10. 6) DIA: 'S ON COMMON CENTERS TO BE CONCENTRIC WITHIN .005 T.I.R. 7) REMOVE ALL BURRS | SV Microwave, Inc. 2400 Centrepark West Drive, Suite 100 West Palm Beach, FL 33409 |
| FINISH: SEE NOTES | DECIMAL: X ±.030 .XX ±.010 .XXX ±.005 | INTERPRET DIMENSIONS AND TOLERANCES PER ASME Y14.5M - 1994 | TITLE: SMA PLUG TERMINATION DC TO 18 GHz |
| SURFACE AREA: N/A | THIRD ANGLE PROJECTION | DRAWN: ADK 08/09/06 | SIZE: B CAGE CODE: 95077 DWG. NO.: M39030/3-04 |
| PROPRIETARY THE INFORMATION CONTAINED IN THIS DRAWING IS THE SOLE PROPERTY OF SV MICROWAVE, INC. ANY REPRODUCTION IN PART OR AS A WHOLE WITHOUT THE WRITTEN PERMISSION OF SV MICROWAVE, INC IS PROHIBITED. | | CHECKED: STW 08/10/06 | SCALE: 5:1 |
| | | APPROVED: STW 08/10/06 | SHEET 1 OF 1 |