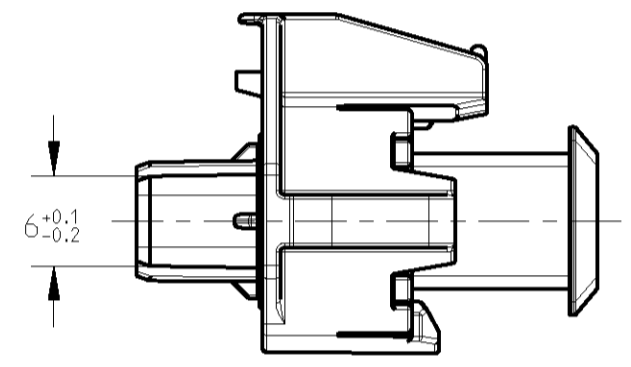
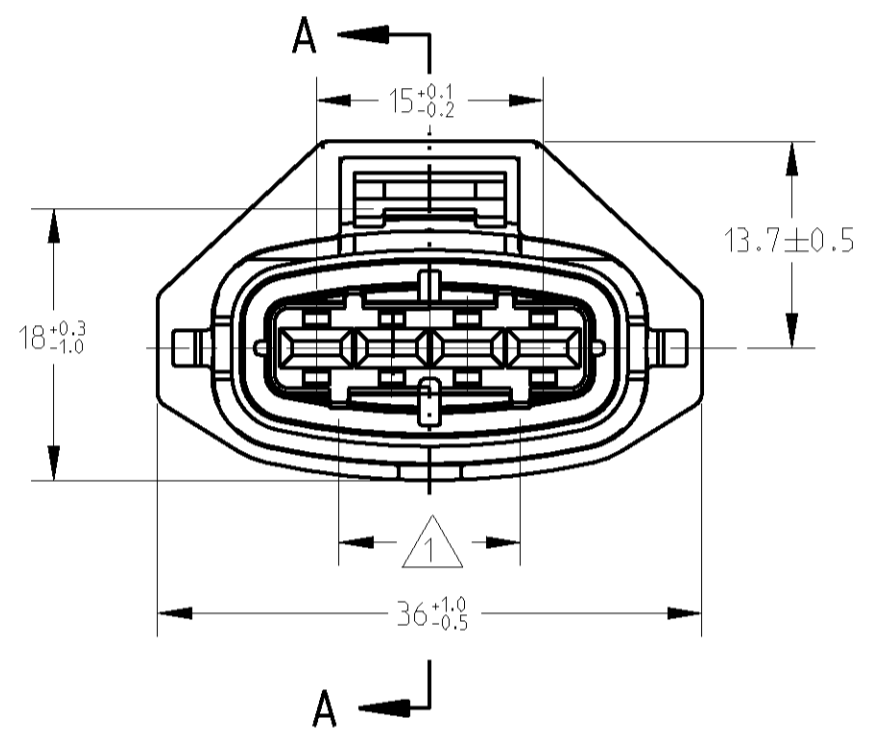
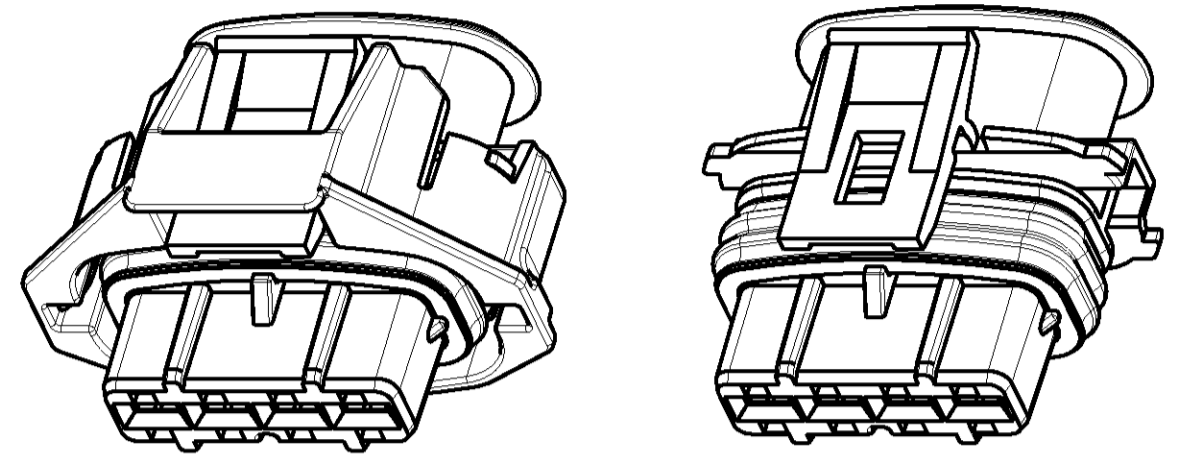
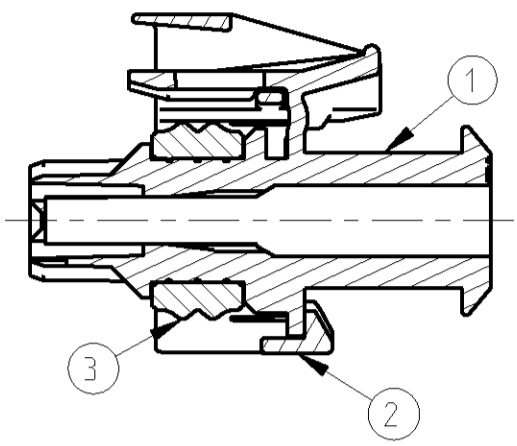
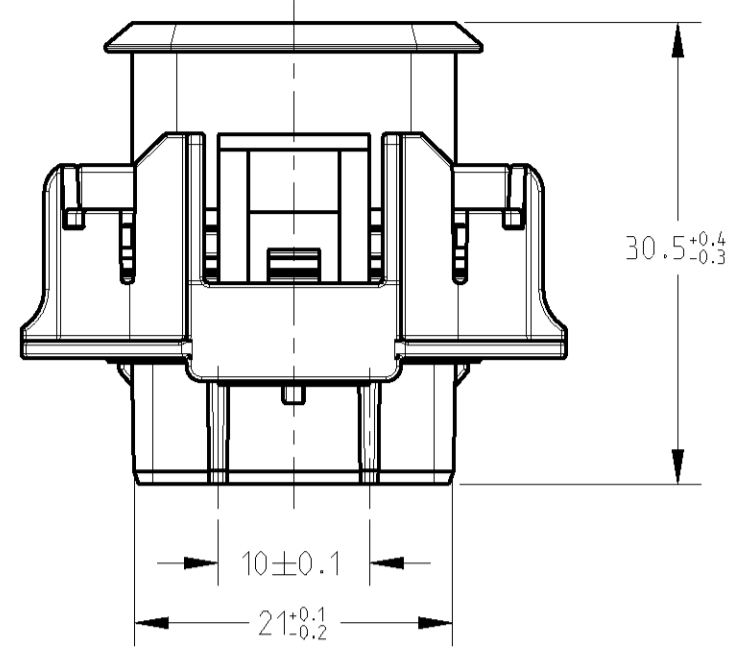


THIS DRAWING IS UNPUBLISHED. RELEASED FOR PUBLICATION 20
 © COPYRIGHT 20 BY TYCO ELECTRONICS CORPORATION. ALL RIGHTS RESERVED.

LOC	DIST	REVISIONS			
P	LTR	DESCRIPTION	DATE	DWN	APVD
ES	00	A	RELEASED	16MAR09	NZ KO



TYPE I AS SHOWN

(TABLE 1)

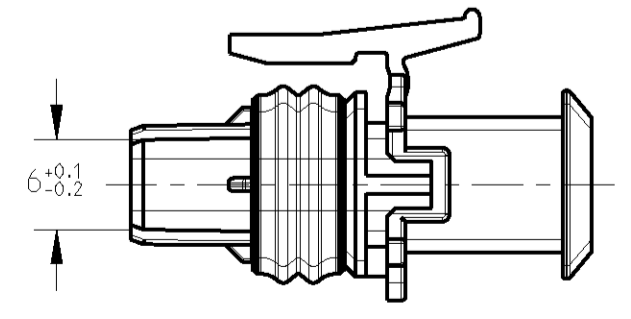
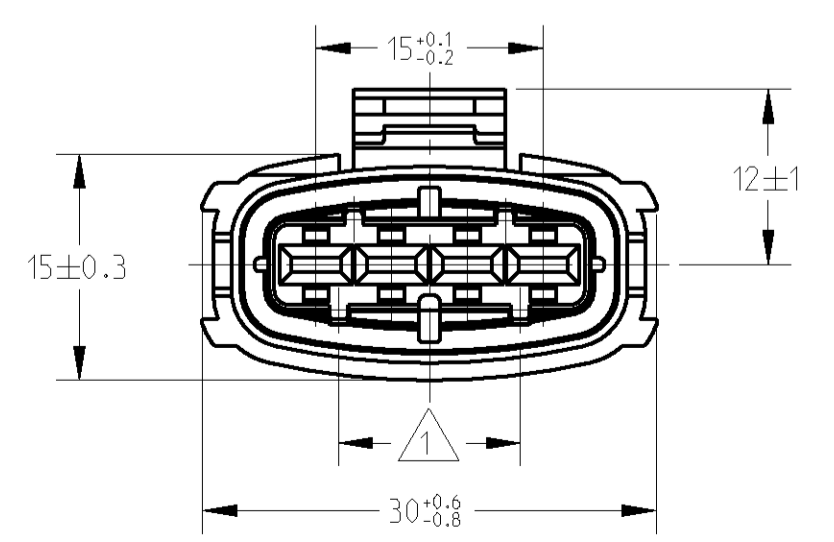
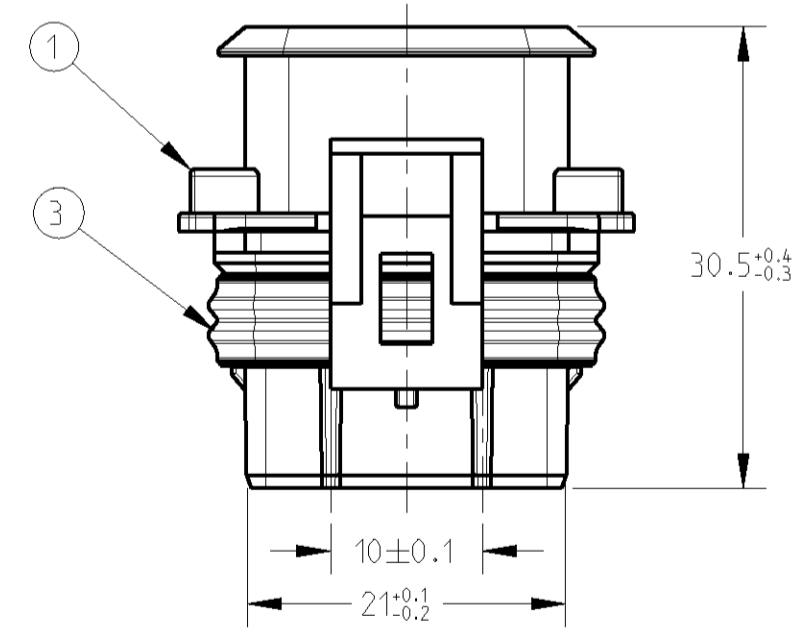
TYPE 1 / CODE 1 2050052-1	TYPE 1 / CODE 2 2050052-2/4
TYPE 2 / CODE 1 2050052-3	

NOTE:
 1. CODING AND TYPE IS AS FOLLOWS, SEE TABLE 1.
 2. APPLIED RECEPTACLE CONTACT P/N:

DESCRIPTION	2.8mm SENSOR-FLAT RECEPTACLE OR EQUIVALENT
PART NO.	967542 OR EQU. 967543 OR EQU.
WIRE SIZE	0.5~1.0 >1.0~2.5

3. APPLIED WIRE SEAL P/N:

DESCRIPTION	SINGLE-WIRE SEAL(5mm HOLE)
PART NO.	828904 828905
INSULATION DIA.(∅)	1.2~2.1mm 2.2~3.0mm



TYPE II AS SHOWN

	1	1	1	1	PC	ORANGE	SILICON	INNER SEAL	3
					PC	BLACK	PA66 GF30	COVER	2
					PC	GREY	PA66 GF30	COVER	2
					PC	GREY	PA66 GF15	PLUG (CODE 2)	1
					PC	BLACK	PA66 GF15	PLUG (CODE 2)	1
					PC	BLACK	PA66 GF15	PLUG (CODE 1)	1
	-4	-3	-2	-1	U/M	COLOR	MATERIAL	DESCRIPTION	ITEM

THIS DRAWING IS A CONTROLLED DOCUMENT FOR TYCO ELECTRONICS CORPORATION IT IS SUBJECT TO CHANGE AND THE CONTROLLING ENGINEERING ORGANIZATION SHOULD BE CONTACTED FOR THE LATEST REVISION

DWN: N.ZHOU 16MAR09
 CHK: W.YUAN 16MAR09
 APVD: K.OO 16MAR09

PRODUCT SPEC: 108-101133
 APPLICATION SPEC

TOLERANCES UNLESS OTHERWISE SPECIFIED:
 ±0.30
 0-PLC ±
 1-PLC ±0.5
 2-PLC ±0.13
 3-PLC ±0.013
 4-PLC ±0.0001
 ANGLES ±3
 FINISH

MATERIAL

WEIGHT

CUSTOMER DRAWING

NAME: 2.8mm SEALED 4P PLUG ASSEMBLY

SIZE: A2 CAGE CODE: 00779 DRAWING NO: C-2050052 RESTRICTED TO

SCALE: 2:1 SHEET 1 OF 1 REV A

Tyco Electronics Shanghai, China