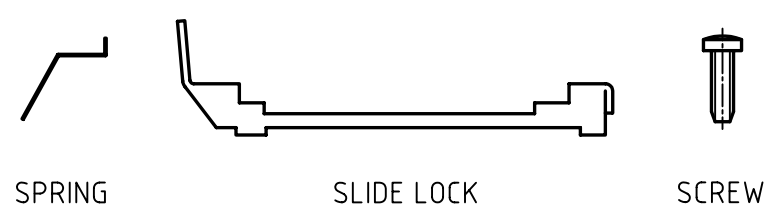
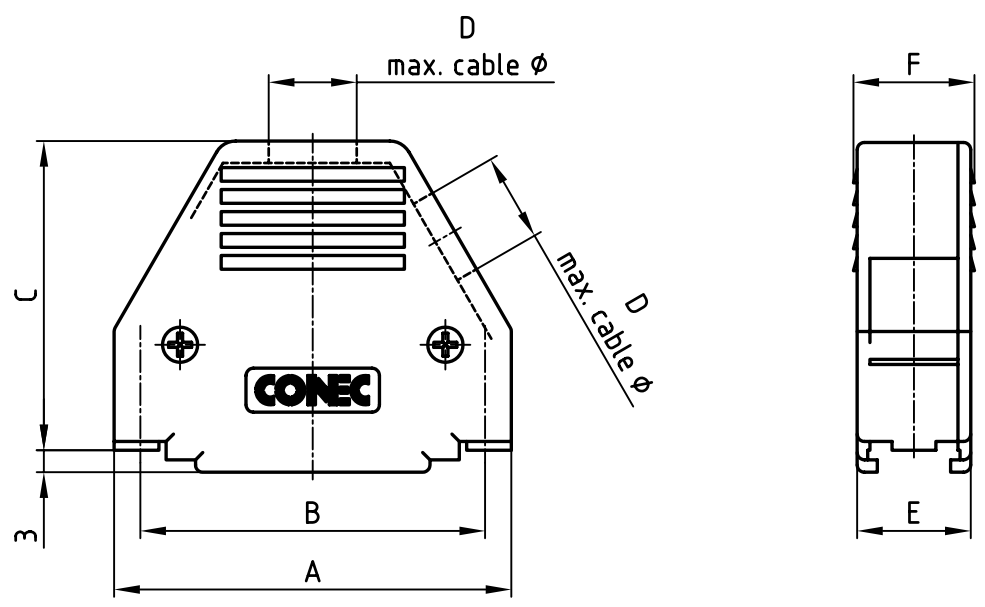


used for: D-SUB



(b)

| POS. | A | B | C | D max. cable ϕ | E | F | Part No. Single package |
|------|------|------|------|------------------------|------|------|----------------------------|
| 9 | 32.0 | 25.0 | 36.7 | 6.3 | 15.5 | 16.5 | 165X11279XE |
| 15 | 40.0 | 33.3 | 38.2 | 8.0 | 15.5 | 16.5 | 165X11289XE |
| 25 | 54.2 | 47.0 | 42.2 | 10.5 | 15.5 | 16.5 | 165X11299XE |
| 37 | 70.6 | 63.5 | 47.2 | 11.5 | 15.5 | 16.5 | 165X11309XE |

- NOTES:**
- HOOD + COVER: ABS UL 94 V-0, BLACK
 - BLIND PLUG: ABS UL 94 V-0, BLACK
 - CABLE STRAIN RELIEF: STEEL; NICKEL PLATED
 - SPRING: STEEL; TIN PLATED
 - SLIDE LOCK: STEEL; NICKEL PLATED
 - SCREWS: STEEL; NICKEL PLATED

Directive 2002/95/EC
"RoHS"
Compliant

THIS DRAWING MAY NOT BE COPIED OR REPRODUCED IN ANY WAY, AND MAY NOT BE PASSED ON TO A THIRD PARTY WITHOUT WRITTEN PERMISSION.
 OWNERSHIP AND COPYRIGHT OF CONEC GmbH
 DO NOT ALTER CAD DRAWING BY HAND

| | | | | | |
|-----------|-------------|------------|--------------|---|--|
| tolerance | | | | scale: 1:1 | |
| | | | | material: SEE NOTES | |
| | 2006 | date | name | title: PLASTIC HOOD 9-37pos. WITH TOP AND SIDE CABLE EXIT with slide lock | |
| | drawn | 07.02. | Lehmenkühler | | |
| | appd. | 07.02. | Mickenbecker | | |
| | norm | | | | |
| | d-old | | | dwg no: AutoCAD 2004 | |
| 1 x b | Ä 2607 | 21.11.2006 | Lehmen | DIN-A 4 sh: 1/1 | |
| a | Origin | | | | |
| rev. | description | date | name | part no: SEE TABLE | |

