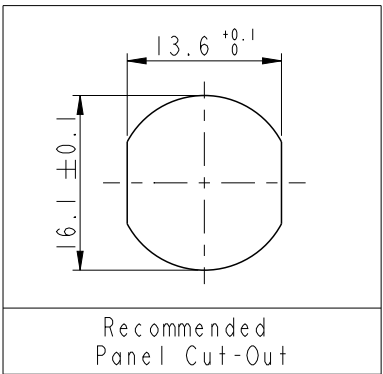
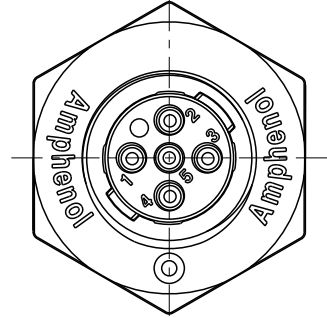
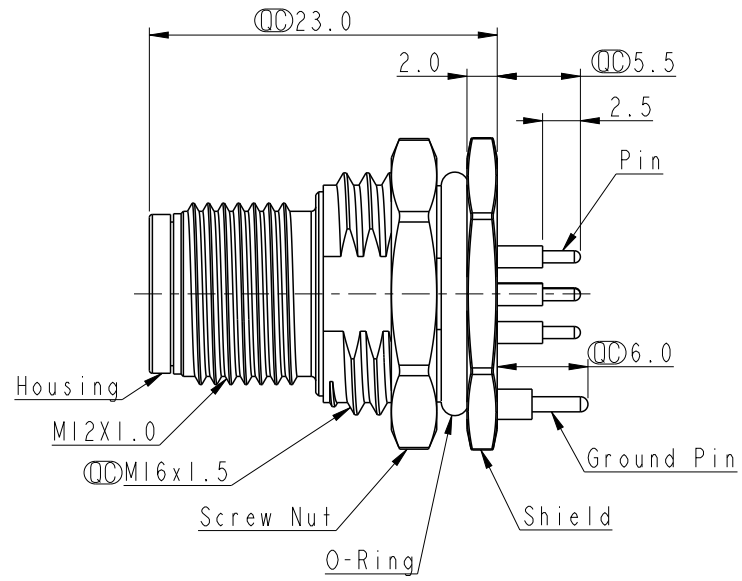
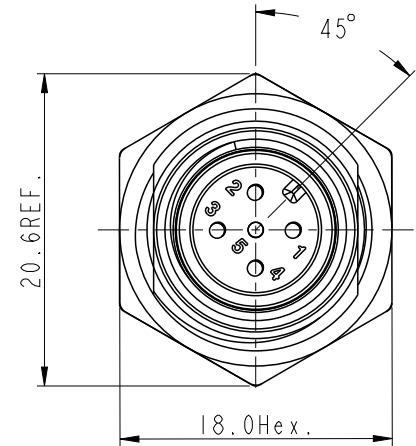


THIS DOCUMENT IS SUBJECT TO CHANGE WITHOUT NOTICE. IT IS CONFIDENTIAL AND A PROPERTY OF Amphenol LTW. DISCLOSURE TO THIRD PARTY HAS TO BE AUTHORIZED BY Amphenol LTW.

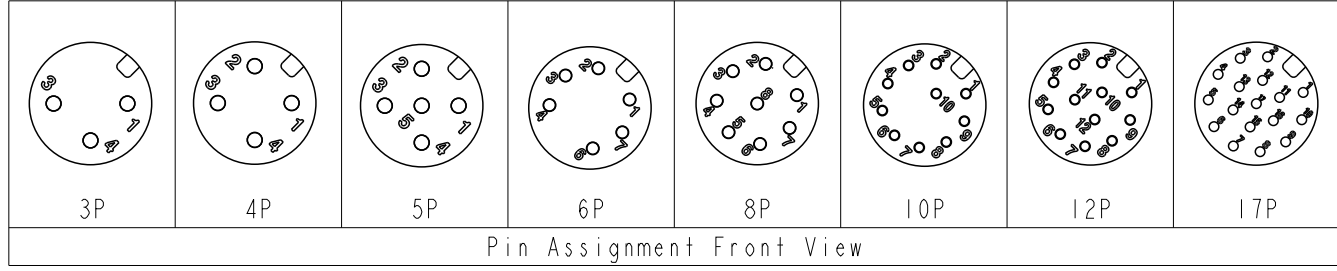
REV.	ECN NO.	DATE	SIGN	DESCRIPTION
A		2023-10-11	Sam Ho	Rev.01 to A, Initial Released
B	C231401	2023-11-17	Sam Ho	△B XI



△B HDM12A-XXPMMP-SF8002
 XX: No. Of Pin



Note:
 * RoHS Compliant
 * ⌀ Important dimension
 * Waterproof rate: IP68, unmated 1m/24h
 IP69K, mated
 * Connector
 Housing: Thermoplastic, Black
 Pin: Copper alloy, Gold plated
 * Shield: Metal
 * Screw Nut: Metal
 * Ground Pin: Metal
 * O-Ring: Rubber, Black
 * For panel thickness max: 4.5mm
 * Nut is packed separately in pe bag



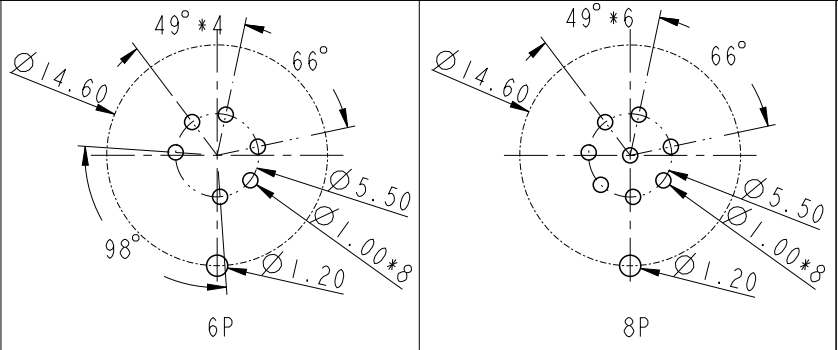
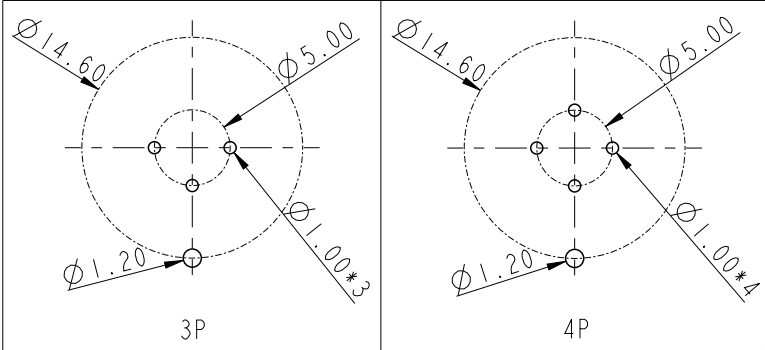
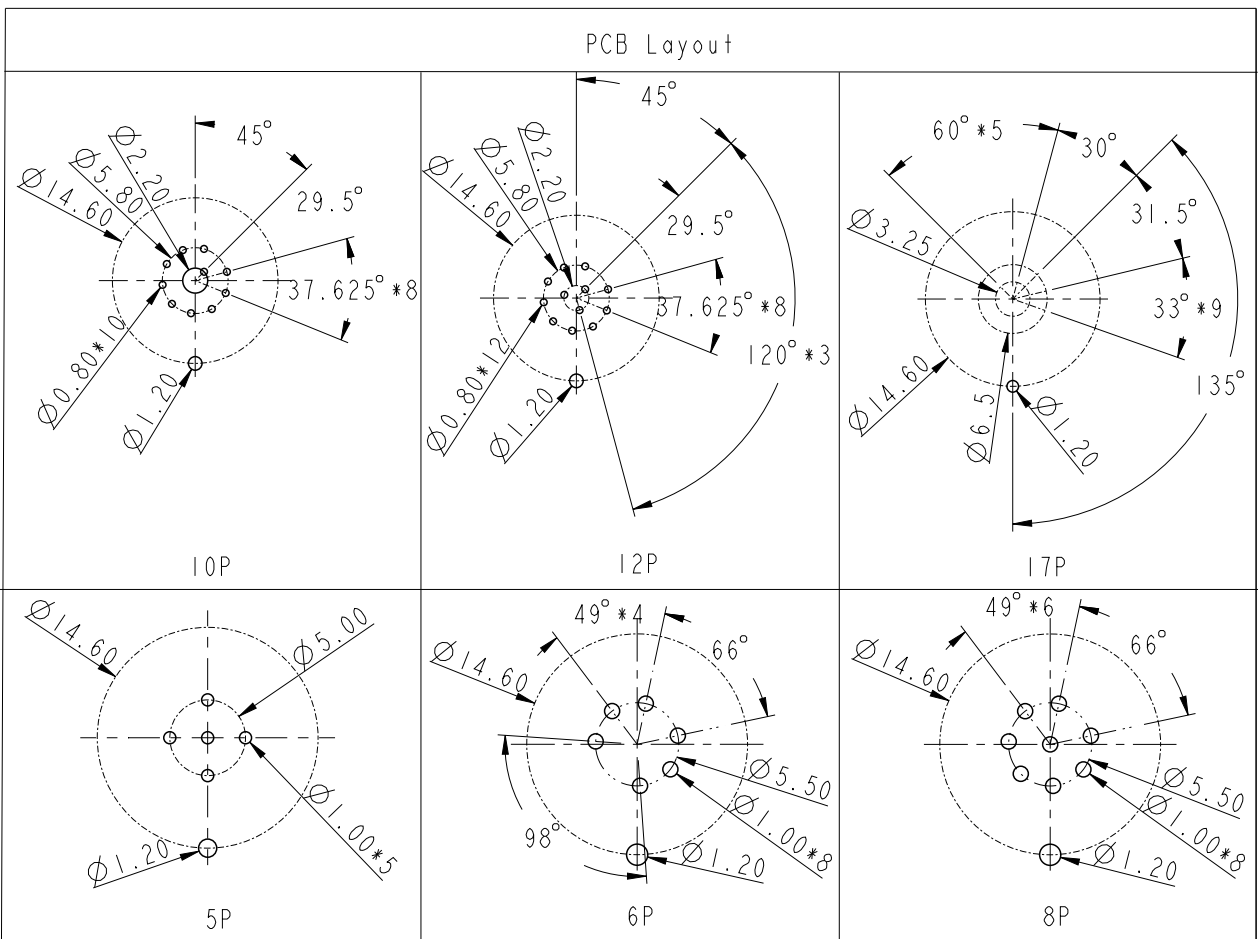
UNIT: mm		
TOLERANCE	.X ±0.25	
.XX ±0.1		
.XXX ±0.05		
ANGLES	±1°	

TITLE N SEN, HDM12 A-240H, HT, SCREW RECEPTACLE, M, M, PCB S		
SCALE 2:1	SIZE A4	SHEET 1 OF 2
REV. B	WC-REV.	⌀: Inspection item

Amphenol LTW
 安費諾亮泰企業股份有限公司

ITEM NO.	DRAWN BY Sam Ho	DATE 2023-11-17
DWG NO. HDM12A-XXPMMP-SF8002	CHECKED BY Neo Tsai	DATE 2023-11-17
CUSTOMER ALTW	APPROVED BY Fred Lee	DATE 2023-11-17

THIS DOCUMENT IS SUBJECT TO CHANGE WITHOUT NOTICE. IT IS CONFIDENTIAL AND A PROPERTY OF Amphenol LTW. DISCLOSURE TO THIRD PARTY HAS TO BE AUTHORIZED BY Amphenol LTW.



UNIT: mm		
TOLERANCE	.X	±0.25
	.XX	±0.1
	.XXX	±0.05
ANGLES		±1°

TITLE N SEN, HDMI2 A-240H, HT, SCREW RECEPTACLE, M, M, PCB S			
SCALE	2:1	SIZE	A4
SHEET	2	OF	2
REV.	B	WC-REV.	: Inspection item

Amphenol LTW
安費諾亮泰企業股份有限公司

ITEM NO	
DWG NO	HDMI2A-XXPMMP-SF8002
CUSTOMER	ALTW

DRAWN BY	Sam Ho
CHECKED BY	Neo Tsai
APPROVED BY	Fred Lee

DATE	2023-11-17
DATE	2023-11-17
DATE	2023-11-17