
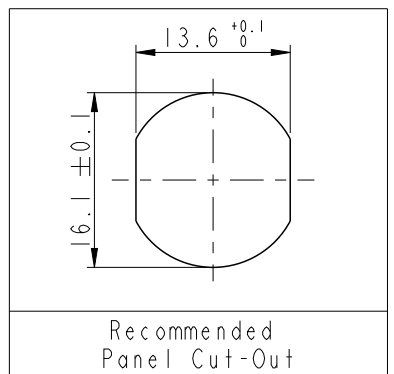

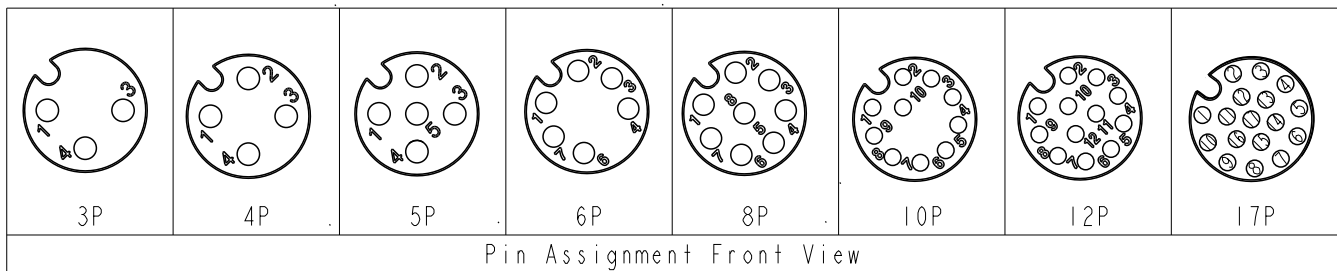
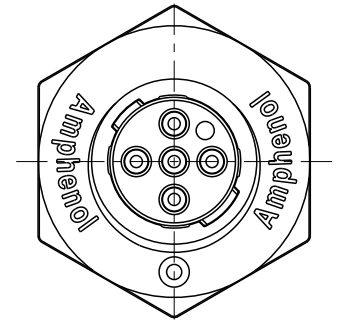
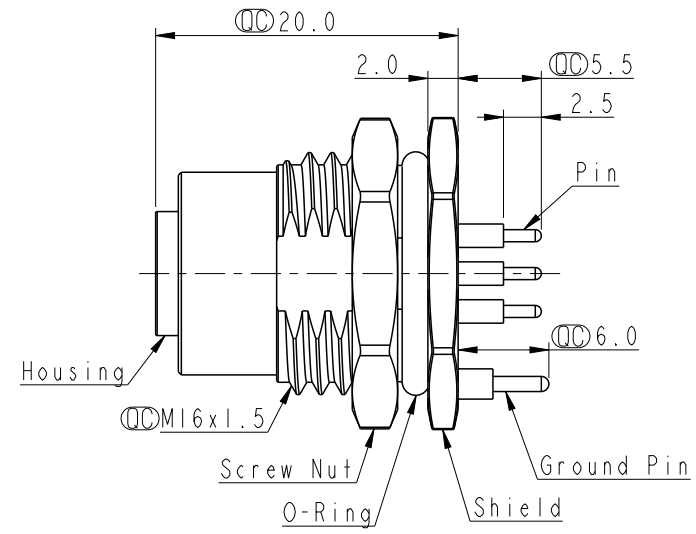
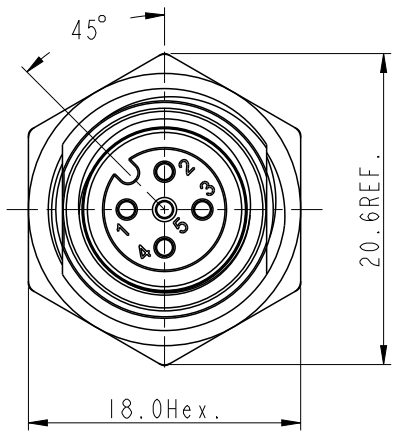


THIS DOCUMENT IS SUBJECT TO CHANGE WITHOUT NOTICE. IT IS CONFIDENTIAL AND A PROPERTY OF AMPHENOL LTW. DISCLOSURE TO THIRD PARTY HAS TO BE AUTHORIZED BY AMPHENOL LTW.


REV.	ECN NO.	DATE	SIGN	DESCRIPTION
A		2023-10-11	Sam Ho	Rev.01 to A, Initial Released
B	C231401	2023-11-17	Sam Ho	 XI



 HDM12A-XXPFFP-SF8002
 XX: No. Of Pin

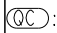


Note:

- * RoHS Compliant
- *  Important dimension
- * Waterproof rate: IP68, unmated 1m/24h
IP69K, mated
- * Connector
 Housing: Thermoplastic, Black
 Pin: Copper alloy, Gold plated
 O-Ring: Rubber, Green
- * Shield: Metal
- * Screw Nut: Metal
- * Ground Pin: Metal
- * O-Ring: Rubber, Black
- * For panel thickness max: 4.5mm
- * Nut is packed separately in pe bag

UNIT: mm

TOLERANCE	
.X	±0.25
.XX	±0.1
.XXX	±0.05
ANGLES	±1°

TITLE N SEN, HDM12 A-240H, HT, SCREW RECEPTACLE, F, F, PCB S			
SCALE 2:1	SIZE A4	SHEET 1 OF 2	
REV. B	WC-REV.	 Inspection item	

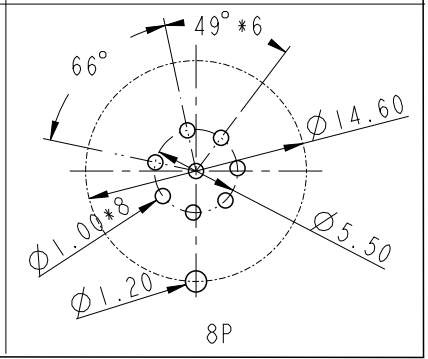
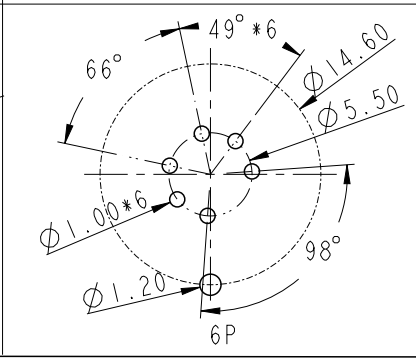
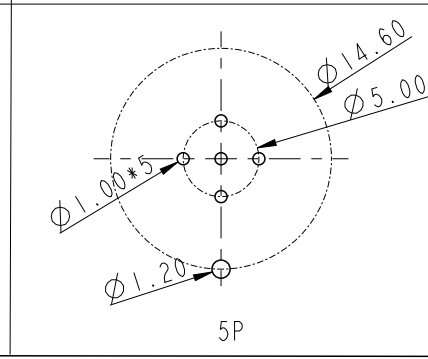
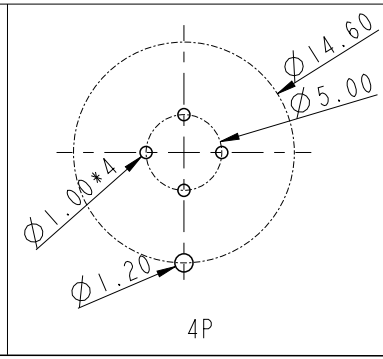
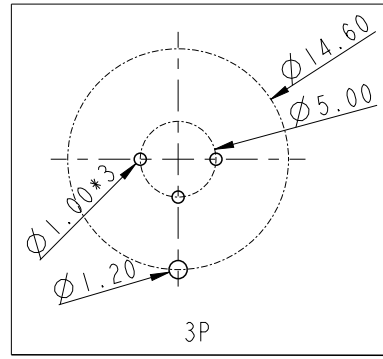
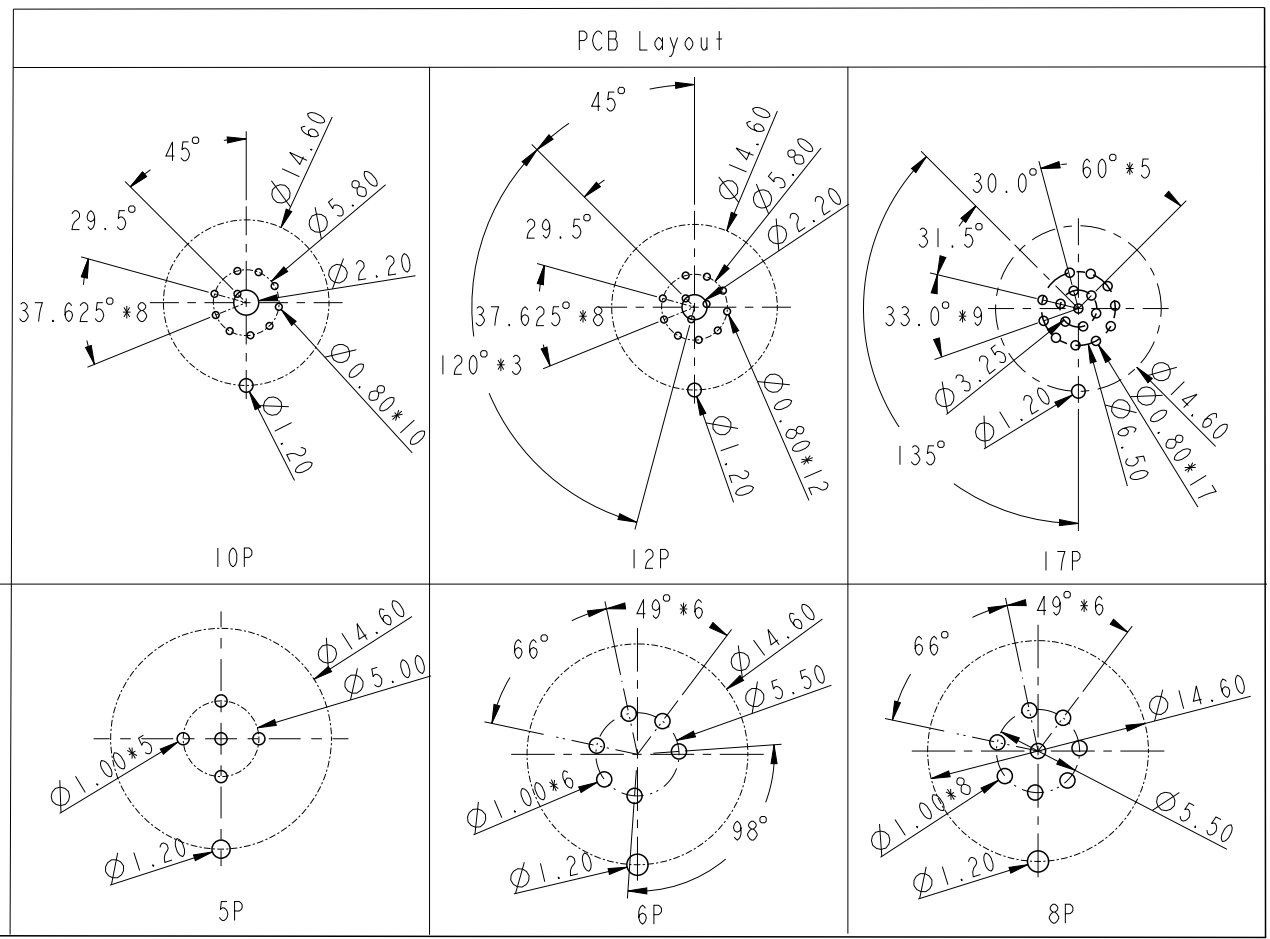
Amphenol LTW
 安費諾亮泰企業股份有限公司

ITEM NO.	DRAWN BY Sam Ho	DATE 2023-11-17
DWG NO. HDM12A-XXPFFP-SF8002	CHECKED BY Neo Tsai	DATE 2023-11-17
CUSTOMER ALTW	APPROVED BY Fred Lee	DATE 2023-11-17

THIS DOCUMENT IS SUBJECT TO CHANGE WITHOUT NOTICE. IT IS CONFIDENTIAL AND A PROPERTY OF Amphenol LTW. DISCLOSURE TO THIRD PARTY HAS TO BE AUTHORIZED BY Amphenol LTW.

2 3 4 5 6 7 8

F
E
D
C
B
A



UNIT: mm		
TOLERANCE		
.X	±0.25	
.XX	±0.1	
.XXX	±0.05	
ANGLES	±1°	

TITLE N SEN, HDMI2 A-240H, HT, SCREW RECEPTACLE, F, F, PCB S		
SCALE 2:1	SIZE A4	SHEET 2 OF 2
REV. B	WC-REV.	: Inspection item

Amphenol LTW
安費諾亮泰企業股份有限公司

ITEM NO	DWG NO HDMI2A-XXPFFP-SF8002
CUSTOMER ALTW	

DRAWN BY Sam Ho	CHECKED BY Neo Tsai
APPROVED BY Fred Lee	

DATE 2023-11-17	DATE 2023-11-17
DATE 2023-11-17	

2 3 4 5 6 7 8 W10814-03-01A2