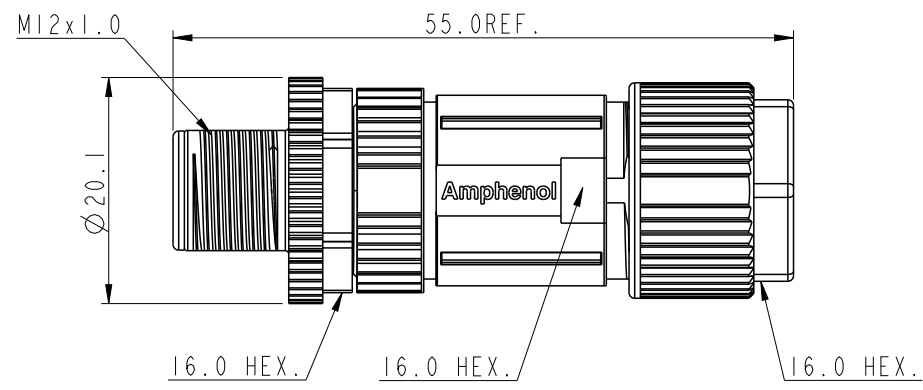
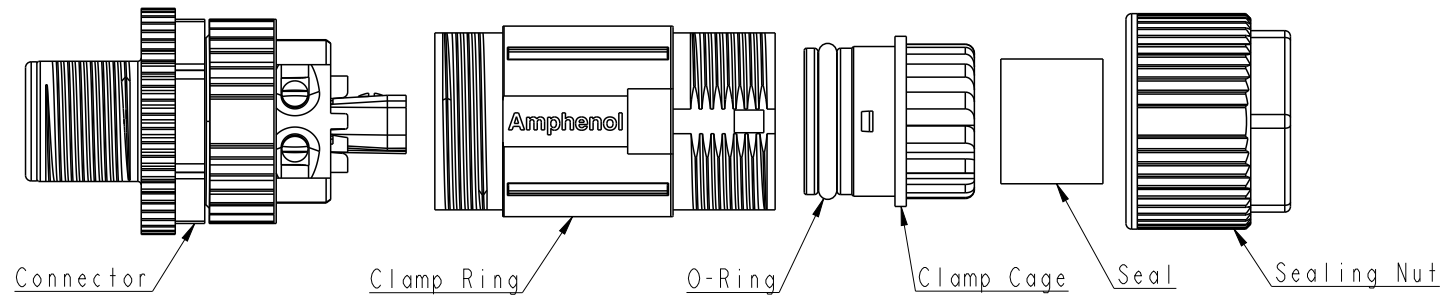


THIS DOCUMENT IS SUBJECT TO CHANGE WITHOUT NOTICE. IT IS CONFIDENTIAL AND A PROPERTY OF Amphenol LTW. DISCLOSURE TO THIRD PARTY HAS TO BE AUTHORIZED BY Amphenol LTW.

| REV. | ECN NO. | DATE       | SIGN   | DESCRIPTION                   |
|------|---------|------------|--------|-------------------------------|
| A    |         | 2023-10-11 | Sam Ho | Rev.02 to A, Initial Released |
| B    | C231401 | 2023-11-17 | Sam Ho | $\triangle$ B XI              |

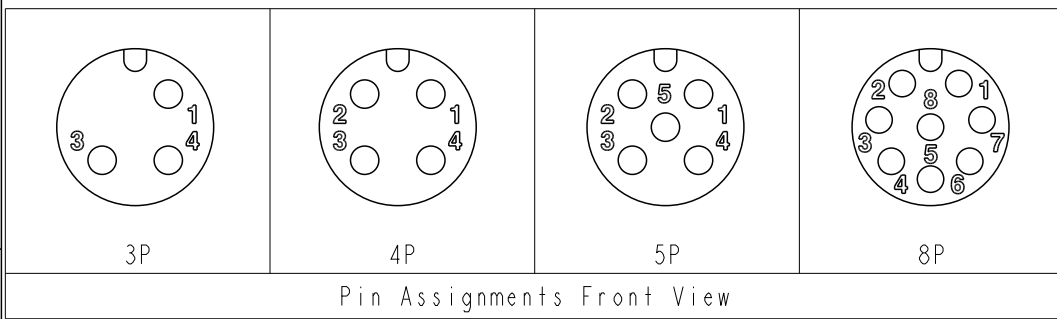
$\triangle$ B HDM12A-XXBMMB-SL7001

XX: No. Of Pin



Note:

- \* RoHS Compliant
- \*  $\odot$  Important Dimension
- \* Waterproof rate: IP67, mated
- \* Connector Housing: Thermoplastic, Black  
Pin: Copper alloy, Gold plated  
Extension Nut: Metal  
Nut: Metal
- \* O-Ring: Rubber, Gray
- \* Clamp Ring: Metal
- \* O-Ring: Rubber, Black
- \* Clamp Cage: Thermoplastic, Black
- \* Sealing Nut: Metal
- \* Seal: Rubber, Gray, OD:  $\varnothing$ 4.0mm~ $\varnothing$ 7.5mm
- \* One set unassembled in one pe bag



|   |               |                           |  |
|---|---------------|---------------------------|--|
| UNIT: mm  | $\varnothing$ | $\nabla$                  | TITLE<br>N SEN, HDM12 A-240H, HT, SCREW<br>CABLE W/O SR, M, M, FI SCREW IN |
| TOLERANCE<br>.X $\pm$ 0.25<br>.XX $\pm$ 0.1<br>.XXX $\pm$ 0.05<br>ANGLES $\pm$ 1° | SCALE<br>3:2  | SIZE<br>A4                | SHEET<br>1 OF 1  |
| REV.<br>B   | WC-REV.       | $\odot$ : Inspection item |  |

**Amphenol LTW**  
安費諾亮泰企業股份有限公司

|                                 |                         |                    |
|---------------------------------|-------------------------|--------------------|
| ITEM NO.                        | DRAWN BY<br>Sam Ho      | DATE<br>2023-11-17 |
| DWG NO.<br>HDM12A-XXBMMB-SL7001 | CHECKED BY<br>Neo Tsai  | DATE<br>2023-11-17 |
| CUSTOMER<br>ALTW                | APPROVED BY<br>Fred Lee | DATE<br>2023-11-17 |