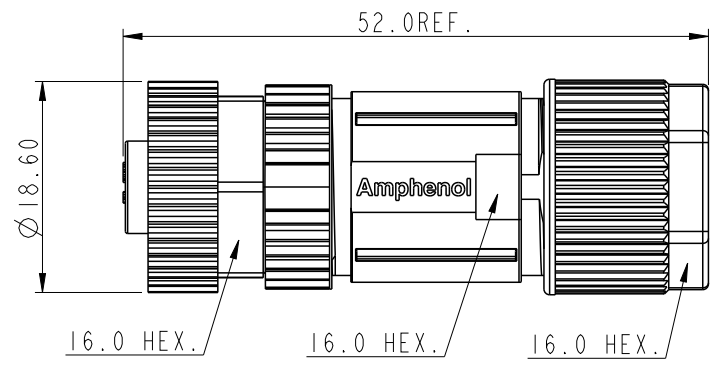
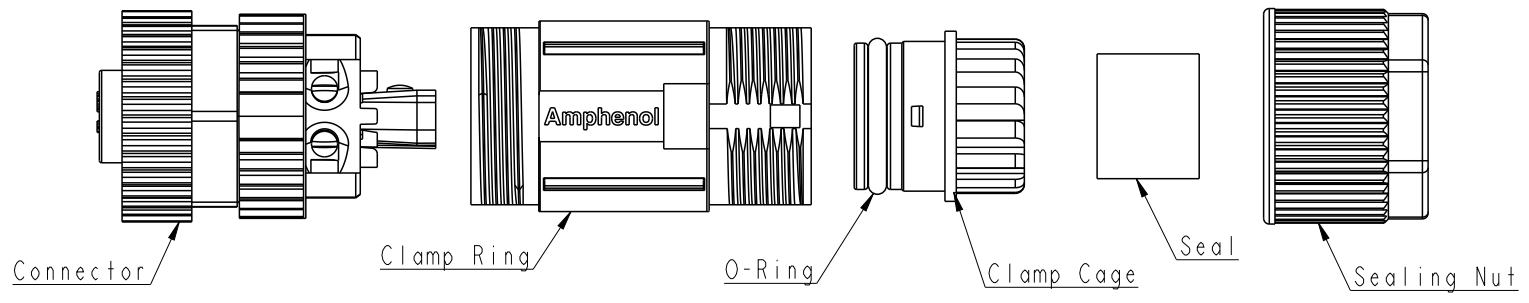


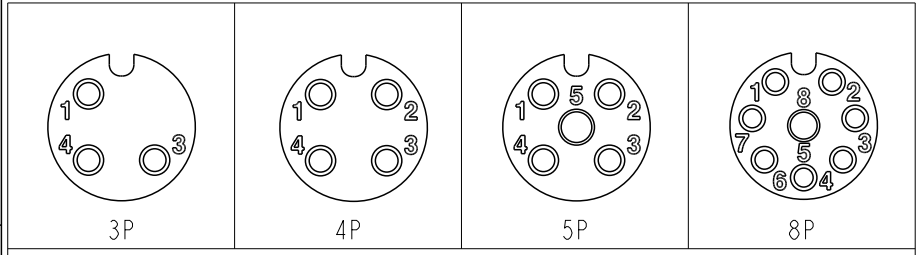
THIS DOCUMENT IS SUBJECT TO CHANGE WITHOUT NOTICE. IT IS CONFIDENTIAL AND A PROPERTY OF Amphenol LTW. DISCLOSURE TO THIRD PARTY HAS TO BE AUTHORIZED BY Amphenol LTW.

REV.	ECN NO.	DATE	SIGN	DESCRIPTION
A		2023-10-11	Sam Ho	Rev.02 to A, Initial Released

HDMI2A-XXBFFB-SL7001
 XX: No. Of Pin



- Note:
- * RoHS Compliant
 - * \varnothing Important Dimension
 - * Waterproof rate: IP67, mated
 - * Connector
 - Housing: Thermoplastic, Black
 - Pin: Copper alloy, Gold plated
 - Extension Nut: Metal
 - Nut: Metal
 - * O-Ring x2: Rubber, Gray
 - * Clamp Ring: Metal
 - * O-Ring: Rubber, Black
 - * Clamp Cage: Thermoplastic, Black
 - * Sealing Nut: Metal
 - * Seal: Rubber, Gray, OD: \varnothing 4.0mm~ \varnothing 7.5mm
 - * One set unassembled in one pe bag



Pin Assignments Front View

UNIT: mm			TITLE N SEN, HDMI2 A-240H, HT, SCREW CABLE W/O SR, F, F, FI SCREW IN
TOLERANCE .X ±0.25 .XX ±0.1 .XXX ±0.05 ANGLES ±1°	SCALE 3:2	SIZE A4	SHEET 1 OF 1
REV. A	WC-REV.	\varnothing : Inspection item	

Amphenol LTW
 安費諾亮泰企業股份有限公司

ITEM NO.	DRAWN BY Sam Ho	DATE 2023-07-27
DWG NO. HDMI2A-XXBFFB-SL7001	CHECKED BY Fred Lee	DATE 2023-07-27
CUSTOMER ALTW	APPROVED BY Fred Lee	DATE 2023-07-27