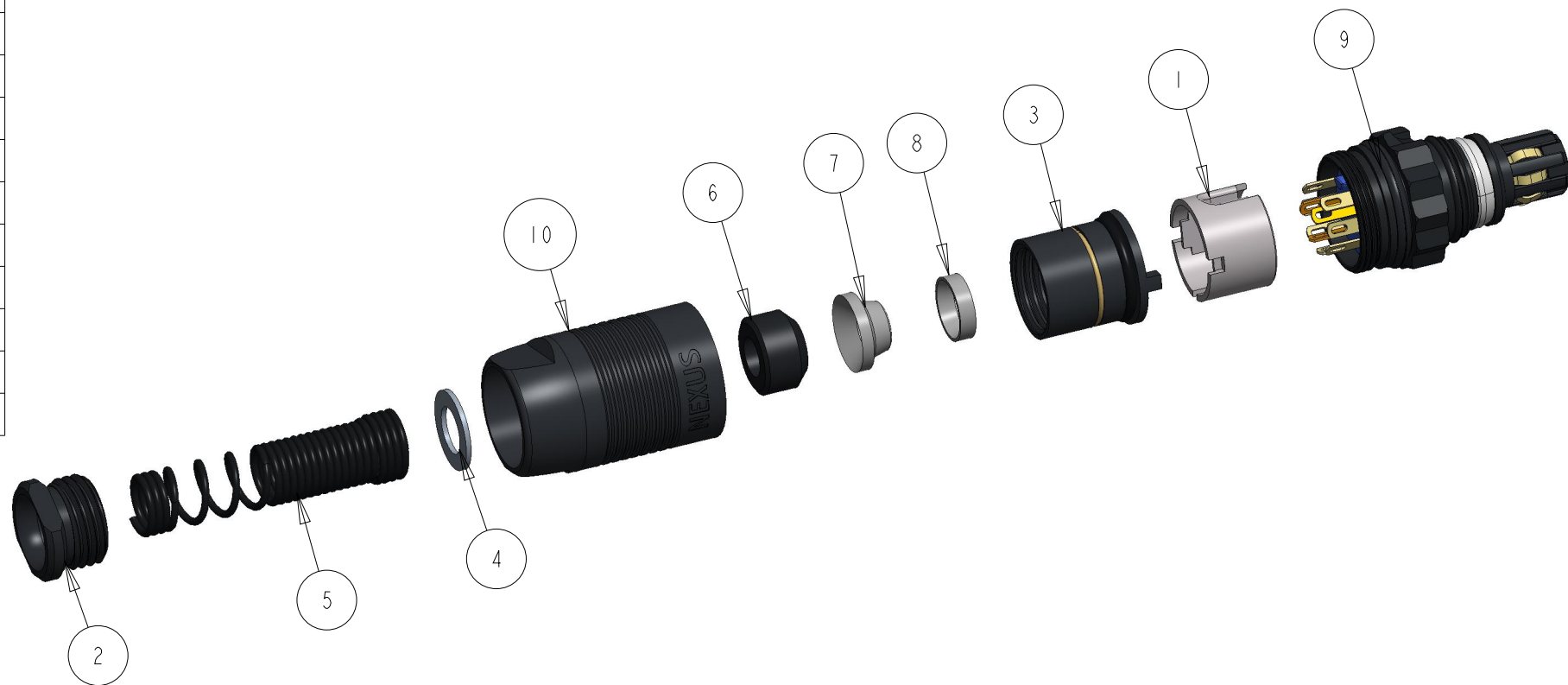
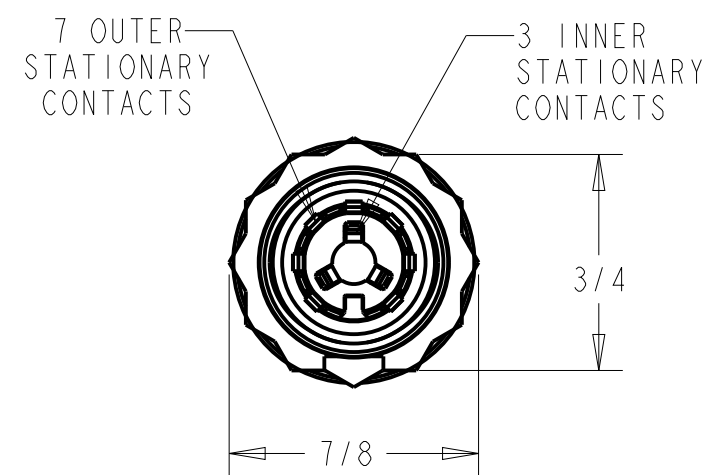
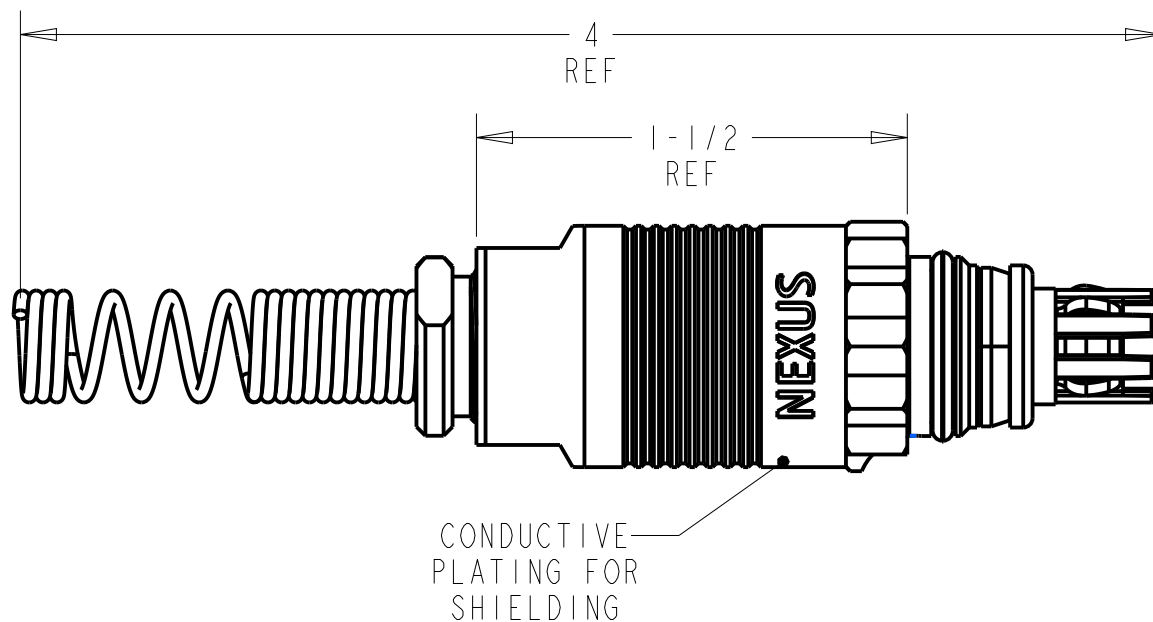
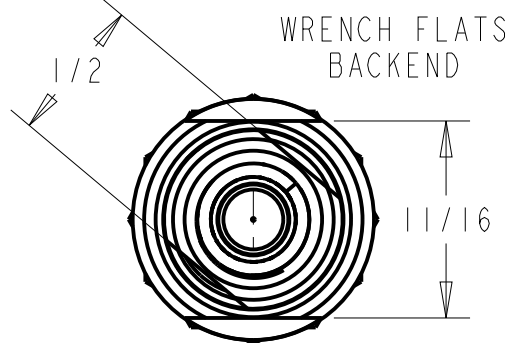
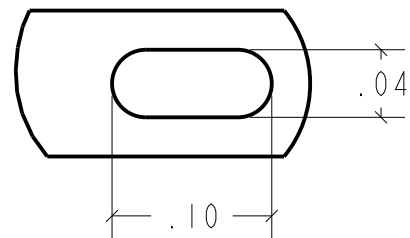


| ITEM NO | PART NUMBER | QTY | DESCRIPTION |
|---------|-------------|-----|----------------------------|
| 1 | AJ-107S-2 | 1 | STRAIN RELIEF |
| 2 | AJ-107S-5 | 1 | COMPRESSION STUD |
| 3 | AJ-107S-8 | 1 | SHIELD ADAPTER ASM |
| 4 | AP-116-2 | 1 | WASHER - STAINLESS STEEL |
| 5 | AP-116-4 | 1 | STEEL SPRING STRAIN RELIEF |
| 6 | AP-116-8 | 1 | BUSHING - RUBBER |
| 7 | AP-136-5 | 1 | INNER CLAMP SHIELD |
| 8 | AP-136-6 | 1 | OUTER CLAMP SHIELD |
| 9 | AP-137-30 | 1 | AP-137 PLUG SUBASM |
| 10 | AP-137S-6 | 1 | AP-137 SHELL, CONDUCTIVE |



SOLDER TAB (10X)
18 AWG WIRE MAX



NOTES:

- 1) SEALED AGAINST WATER INGRESS WHEN MATED
- 2) COMPATIBLE WITH BOTH AJ-137 AND AJ-107 JACKS
- 3) BREAKAWAY STYLE CONNECTION WITH SOLDER TABS



THIS DOCUMENT CONTAINS PROPRIETARY INFORMATION OF NEXUS, INCORPORATED AND SUCH INFORMATION MAY NOT BE DISCLOSED TO OTHERS FOR ANY PURPOSE OR USED FOR ANY PURPOSE WITHOUT THE WRITTEN CONSENT OF NEXUS.

| LET. | REVISION | CN # | DATE | DRN |
|------|-------------|------|------------|-----|
| A | NEW RELEASE | --- | 11/07/2022 | |

| | | | |
|---|-------------------------|--|-----------------------|
| DWN. BY BAM | DATE 11/07/2022 | MATERIAL --- | |
| CHECKED BY | DATE | FINISH --- | |
| APPR. BY | DATE | WEIGHT | SCALE = |
| UNLESS OTHERWISE SPECIFIED: DIMENSIONS ARE IN INCHES &/OR [mm] | | TITLE 10 CONDUCTOR BREAKAWAY PLUG SHIELDED | |
| DECIMAL ±.01[0,3] | .XX[X,X] ±.003[0,08] | NEXUS STAMFORD, CONN | |
| FRACTION ± 1/64" | ANGLES ±.5° | DO NOT SCALE DWG. | SHEET 1 OF 1 |
| | | SIZE B | DWG. NO. AP-137BRS |