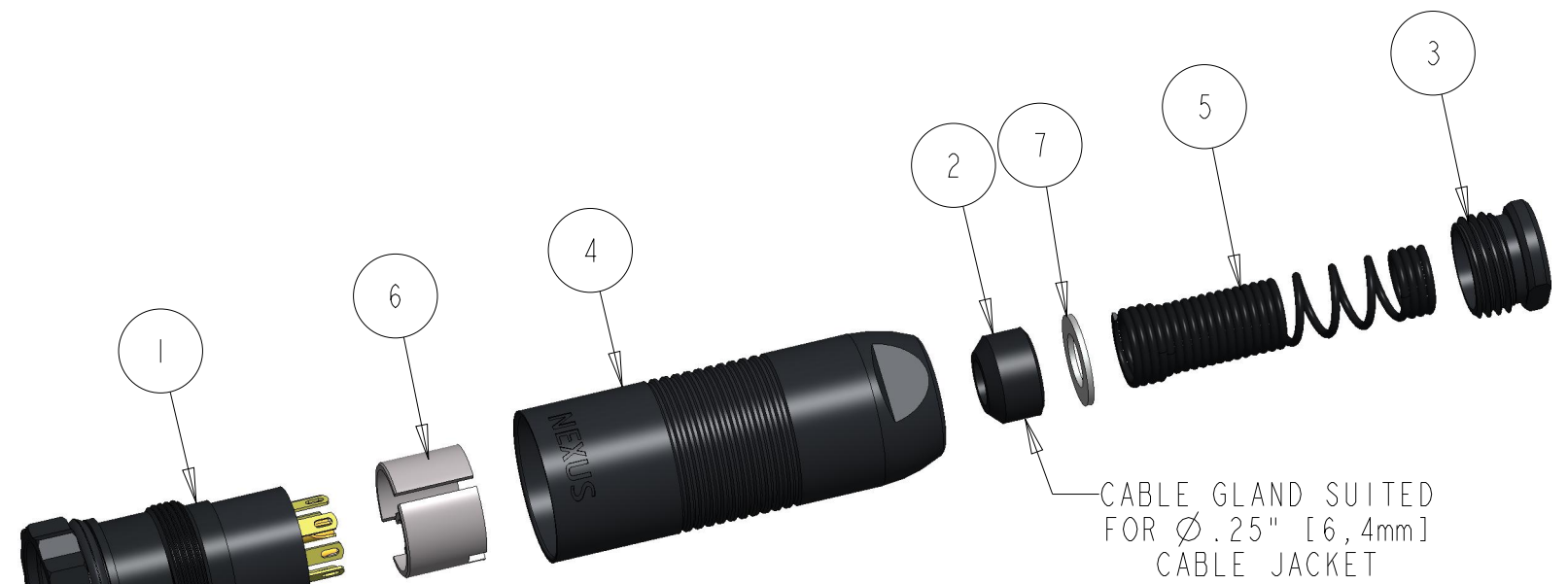
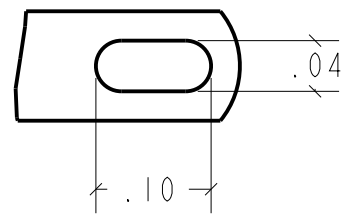


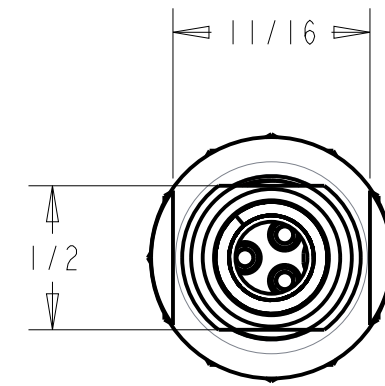
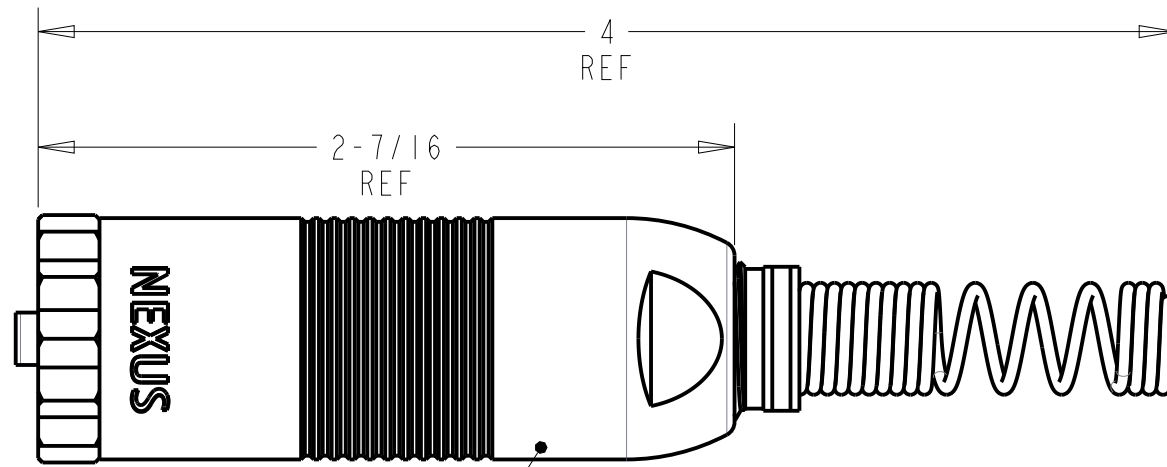
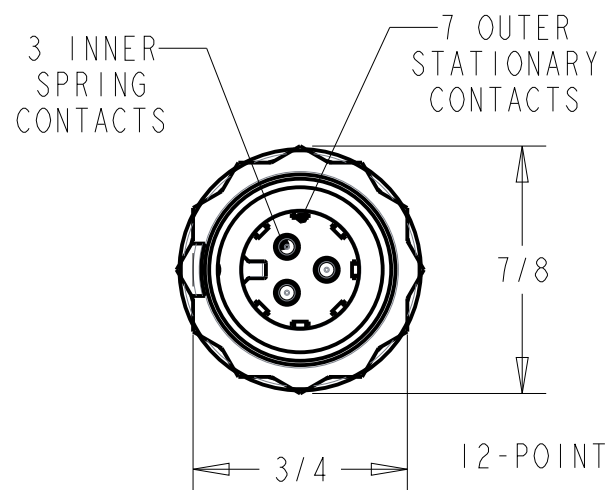
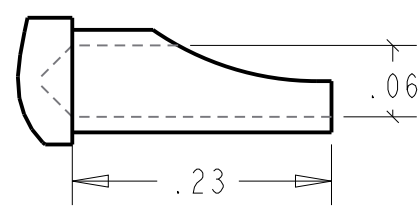
ITEM NO	PART NUMBER	QTY	DESCRIPTION
1	AJ-137-30	1	AJ-137 JACK SUBASM
2	AP-116-8	1	BUSHING - RUBBER
3	AJ-107S-5	1	COMPRESSION STUD
4	AJ-137-06	1	SHELL, 137 JACK
5	AP-116-4	1	STEEL SPRING STRAIN RELIEF
6	AJ-107S-2	1	STRAIN RELIEF
7	AP-116-2	1	WASHER - STAINLESS STEEL



SOLDER TAB (7X)
18 AWG WIRE MAX



SOLDER CUP (3X)
CENTER CONTACTS
16 AWG WIRE MAX



WRENCH FLATS
BACKEND

NOTES:

- 1) SEALED AGAINST WATER INGRESS WHEN MATED
- 2) COMPATIBLE WITH BOTH AP-137 AND AP-107 PLUGS
- 3) BREAKAWAY STYLE CONNECTION WITH SOLDER TABS AND CUPS



THIS DOCUMENT CONTAINS PROPRIETARY INFORMATION OF NEXUS, INCORPORATED AND SUCH INFORMATION MAY NOT BE DISCLOSED TO OTHERS FOR ANY PURPOSE OR USED FOR ANY PURPOSE WITHOUT THE WRITTEN CONSENT OF NEXUS.

LET.	REVISION	CN #	DATE	CHK
A	NEW RELEASE	---	9/22/2022	

DWN. BY BAM	DATE 9/23/2022	MATERIAL ---	
CHECKED BY	DATE	FINISH ---	
APPR. BY	DATE	WEIGHT	SCALE = VAR
UNLESS OTHERWISE SPECIFIED: DIMENSIONS ARE IN INCHES &/OR [mm]		TITLE 10 CONDUCTOR BREAKAWAY JACK	
DECIMAL ±.01[0,3]	.XX[X,X] ±.003[0,08]	NEXUS STAMFORD, CONN	
FRACTION ± 1/64"	ANGLES ±.5°	DO NOT SCALE DWG.	SHEET 1 OF 1
		SIZE B	DWG. NO. AJ-137