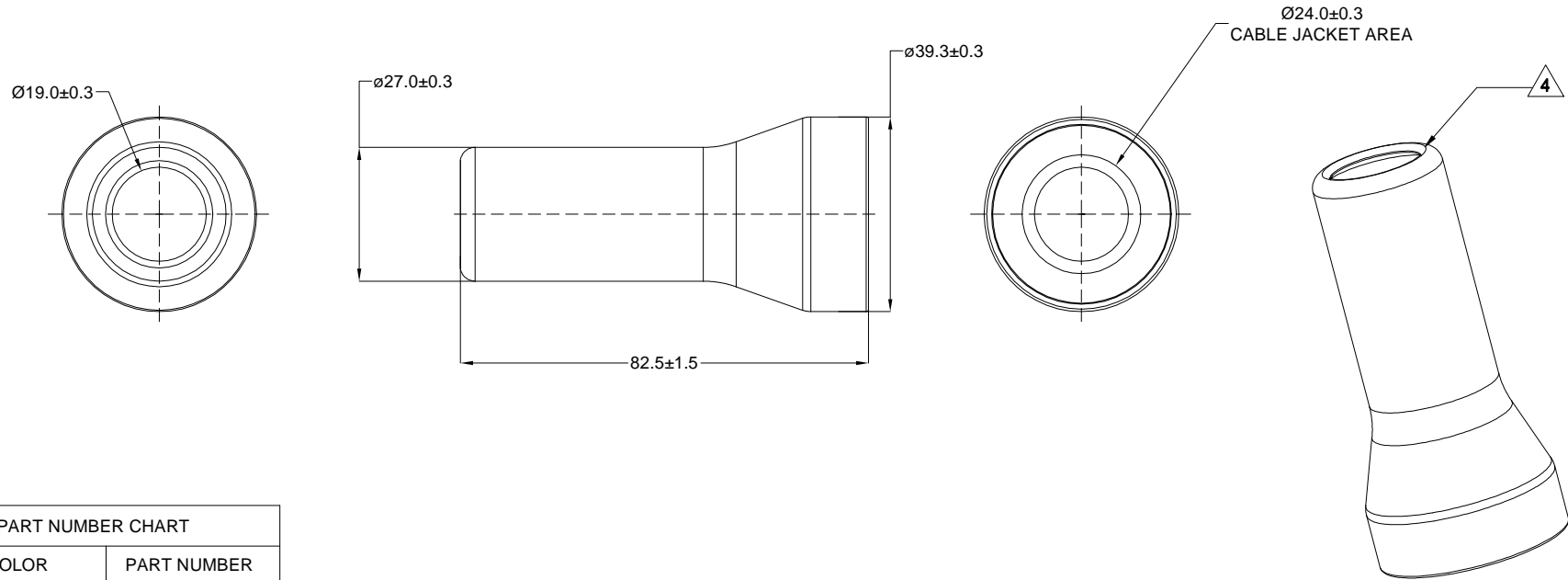


REVISIONS					
REV	ECO	DESCRIPTION	DATE	BY	APPR
01	-	RELEASE NEW DRAWING FORMAT	04/JUL/23	HAILEY	TOMMY



PART NUMBER CHART	
COLOR	PART NUMBER
GRAY	AHDPM24-BT
BLACK	AHDPM24-BT-BK

NOTES: UNLESS OTHERWISE SPECIFIED

1. THIS PART IS USED ON AHDP04-24-**XX-SRA & AHDM04-24-**XX RECEPTACLE AND AHDP06-24-**XX-SRA & AHDM06-24-**XXPLUG **=POSITIONXX=ALL MODIFICATION

2. TEMPERATURE RATING: -29°C TO +100°C [-20°F TO +212°F]

3. BOTTOM OF PART MOLDED OPEN.

4. SMALL MATERIAL EXTENSION IS ACCEPTABLE ON THIS END ALL AROUND

5. ALL DIMENSIONS ARE FOR REFERENCE USE ONLY.

QUANTITY	SEE PART NUMBER CHART	DESCRIPTION	ITEM								
MATERIALS LIST											
UNLESS OTHERWISE SPECIFIED 1) All dimensions are in metric(mm). 2) Tolerances are as follows: 1 PL DEC ±0.30 Fractions ±1/64 2 PL DEC ±0.15 Angles ±1° 3 PL DEC ±0.08		SIGNATURES DATE DRAWN: HAILEY 05/JUL/23 CHECKED: ORION 05/JUL/23 ENGINEER: APPROVAL: TOMMY 05/JUL/23 CUSTOMER:	<h1 style="text-align: center;">Amphenol</h1> <p style="text-align: center;">Sine Systems - www.amphenol-sine.com 44724 Morley Drive Clinton Township, MI 48036</p>								
MATERIAL SPECIFICATIONS: <p style="text-align: center;">PVC</p>		BOOT,SIZE 24,SRA,AHDP&AHDM									
PROCESS SPECIFICATIONS: NEXT ASSY:		THIS DRAWING IS SUPPLIED FOR INFORMATION ONLY. DESIGN FEATURES, SPECIFICATIONS AND PERFORMANCE DATA SHOWN HEREON ARE THE PROPERTY OF THE AMPHENOL CORPORATION. NO RIGHTS OF REPRODUCTION ARE IMPLIED. ALL DIMENSIONS ARE SUBJECT TO NORMAL MANUFACTURING VARIATIONS.	<table border="1"> <tr> <td>SIZE</td> <td>TYPE</td> <td>DWG NO:</td> <td>REVISION</td> </tr> <tr> <td>A</td> <td>C-</td> <td>AHDPM24-BT-XX</td> <td>01</td> </tr> </table>	SIZE	TYPE	DWG NO:	REVISION	A	C-	AHDPM24-BT-XX	01
SIZE	TYPE	DWG NO:	REVISION								
A	C-	AHDPM24-BT-XX	01								
SCALE: NONE		SHEET 1 OF 1									