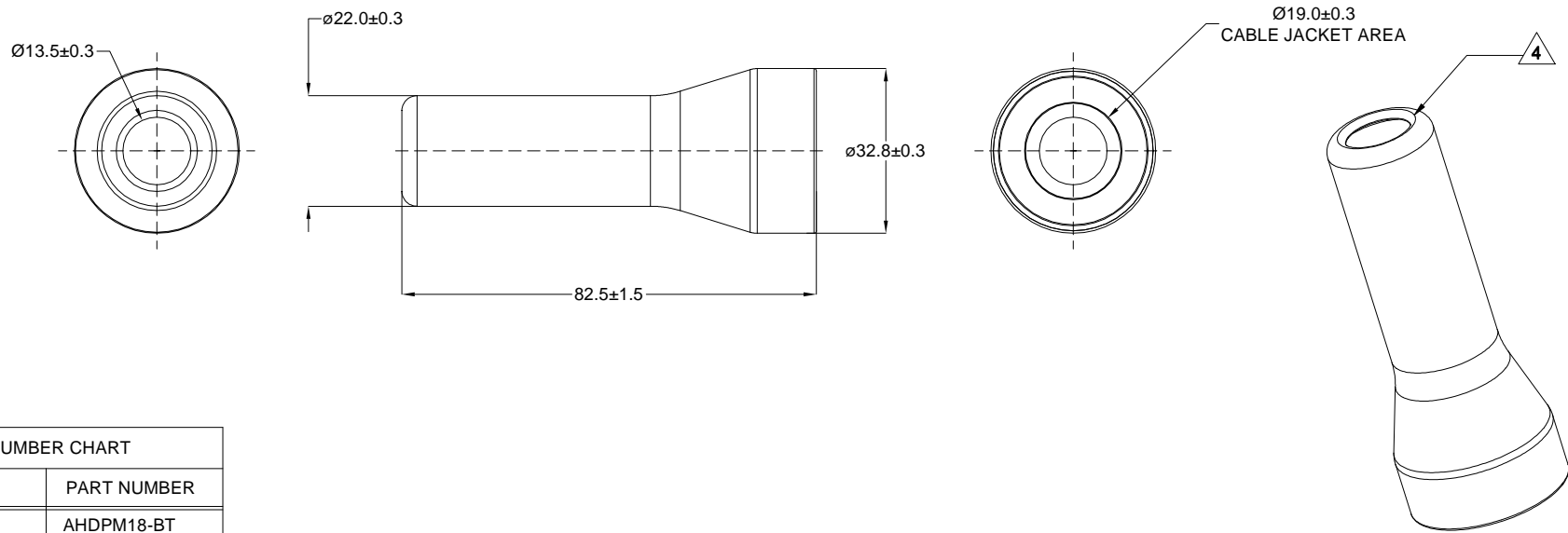


REVISIONS					
REV	ECO	DESCRIPTION	DATE	BY	APPR
01	-	RELEASE NEW DRAWING FORMAT	04/JUL/23	HAILEY	TOMMY



PART NUMBER CHART	
COLOR	PART NUMBER
GRAY	AHDPM18-BT
BLACK	AHDPM18-BT-BK

NOTES: UNLESS OTHERWISE SPECIFIED

- THIS PART IS USED ON AHDP04-18-\*\*XX-SRA & AHDM04-18-\*\*XX RECEPTACLE AND AHDP06-18-\*\*XX-SRA & AHDM06-18-\*\*XXPLUG \*\*=POSITIONXX= ALL MODIFICATION
- TEMPERATURE RATING: -29°C TO +100°C [-20°F TO +212°F]
- BOTTOM OF PART MOLDED OPEN.
- SMALL MATERIAL EXTENSION IS ACCEPTABLE ON THIS END ALL AROUND
- ALL DIMENSIONS ARE FOR REFERENCE USE ONLY.

QUANTITY	PART NUMBER	DESCRIPTION	ITEM
<b>MATERIALS LIST</b>			
UNLESS OTHERWISE SPECIFIED		SIGNATURES	
1) All dimensions are in metric(mm).		DRAWN: HAILEY	DATE: 05/JUL/23
2) Tolerances are as follows:		CHECKED: ORION	DATE: 05/JUL/23
1 PL DEC $\pm 0.30$		ENGINEER:	
2 PL DEC $\pm 0.15$		APPROVAL: TOMMY	DATE: 05/JUL/23
3 PL DEC $\pm 0.08$		CUSTOMER:	
Fractions $\pm 1/64$		<p style="text-align: center;"><b>Amphenol</b></p> <p>Sine Systems - <a href="http://www.amphenol-sine.com">www.amphenol-sine.com</a> 44724 Morley Drive Clinton Township, MI 48036</p>	
Angles $\pm 1^\circ$			
3) Note reference =		BOOT,SIZE 18,SRA,AHDP&AHDM	
MATERIAL SPECIFICATIONS:		THIS DRAWING IS SUPPLIED FOR INFORMATION ONLY. DESIGN FEATURES, SPECIFICATIONS AND PERFORMANCE DATA SHOWN HEREON ARE THE PROPERTY OF THE AMPHENOL CORPORATION. NO RIGHTS OF REPRODUCTION ARE IMPLIED. ALL DIMENSIONS ARE SUBJECT TO NORMAL MANUFACTURING VARIATIONS.	
PVC		SIZE: A	REVISION: 01
PROCESS SPECIFICATIONS:		TYPE: C-	DWG NO: AHDPM18-BT-XX
NEXT ASSY:		SCALE: NONE	SHEET 1 OF 1