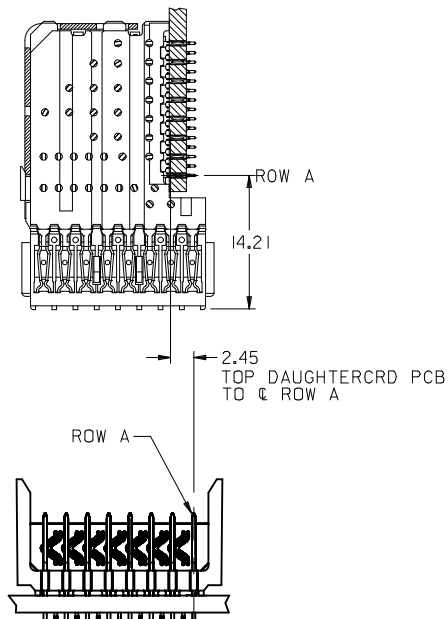
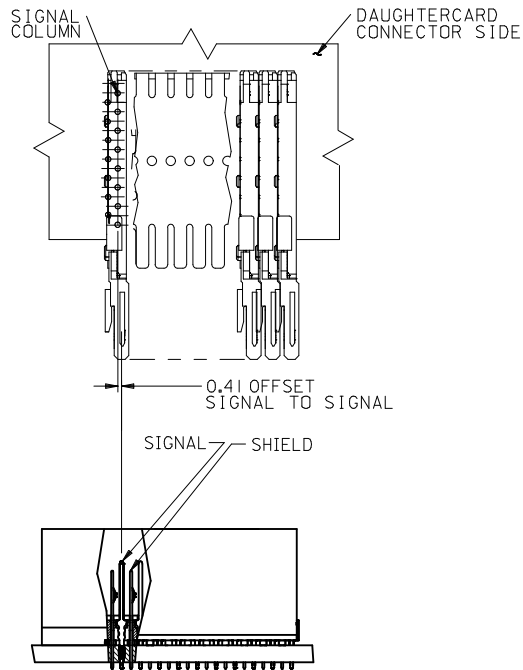


NOTES:

- MATERIALS: HOUSING - LIQUID CRYSTAL POLYMER (LCP)
GLASS-FILLED, UL 94V-0, COLOR: BLACK
SIGNAL PIN & SHIELD - COPPER ALLOY
- FINISHES: SELECTIVE GOLD (Au) IN CONTACT AREA,
SELECTIVE TIN/LEAD (Sn/Pb) OR SELECTIVE MATTE
TIN (Sn) ON PCB TAILS AND
NICKEL (Ni) OVERALL
- THIS PART CONFORMS TO MOLEX PRODUCT SPECIFICATION
PS-74031-999.
- FOR MIXED CONTACT MATING LENGTHS, CONSULT MOLEX
FOR AVAILABILITY.
- FOR SPECIFIC MATERIAL NUMBERS AND MATING INFORMATION
REFER TO SHEET 2.
- PACKAGE PER PK-74061-003.
- EITHER MARK PARTS WITH PART NUMBER AND DATE CODE
APPROXIMATELY WHERE SHOWN OR PLACE LABEL ON THE TUBE.

ADD LEADFREE P/NS EC NO: UCP2012-1899 DRWN:MWOLF 2011/12/13 CHKD:SDANNELLEY 2011/12/13 APPR:SMILLER 2012/01/17	QUALITY SYMBOLS ▽=0 ▽=0 ▽=0	GENERAL TOLERANCES (UNLESS SPECIFIED)		DIMENSION STYLE MM ONLY		SCALE 1:1	DESIGN UNITS METRIC	THIRD ANGLE PROJECTION			
		4 PLACES ± --- ± ---	3 PLACES ± --- ± ---	2 PLACES ± 0.25 ± ---	1 PLACE ± 0.38 ± ---	DRAWN BY JMELTON	DATE 2010/04/09	TITLE VHDM BACKPLANE 8 ROW SIGNAL-PIN END SALES DRAWING			
		ANGULAR ± --- °				CHECKED BY SDANNELLEY	DATE 2010/04/12	APPROVED BY SMILLER			
		DRAFT WHERE APPLICABLE MUST REMAIN WITHIN DIMENSIONS				MATERIAL NO. SEE SHEET 2		DOCUMENT NO. SD-74457-002		SHEET NO. 1 OF 2	

PART NUMBER	COLUMN	NUMBER OF SIGNAL PIN	NUMBER OF SHIELD	A MAX	B	M	Au (um) THICKNESS	Sn (um) THICKNESS
74457-**-01	10	80	10	27.00	18.00	4.75	0.76	0.38-1.52
74457-**-06							1.27	
74457-**-01	25	200	25	57.00	48.00		0.76	
74457-**-06							1.27	
74457-**-02	10	80	10	27.00	18.00	6.25	0.76	
74457-**-07							1.27	
74457-**-02	25	200	25	57.00	48.00		0.76	
74457-**-07							1.27	
74457-**-03	10	80	10	27.00	18.00	4.25	0.76	
74457-**-08							1.27	
74457-**-03	25	200	25	57.00	48.00		0.76	
74457-**-08							1.27	
74457-**-04	10	80	10	27.00	18.00	5.15	0.76	
74457-**-09							1.27	
74457-**-04	25	200	25	57.00	48.00		0.76	
74457-**-09							1.27	



MATERIAL NUMBER ASSIGNMENT

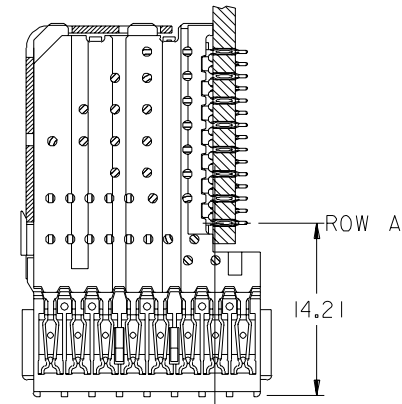
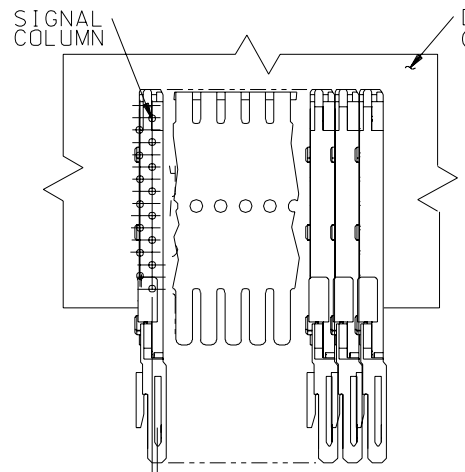
74457-**-0*

NUMBER OF COLUMNS/ PIN LENGTH PLATING

10 = 10 COLUMN TIN/LEAD	1 & 6 = 4.75
25 = 25 COLUMN TIN/LEAD	2 & 7 = 6.25
90 = 10 COLUMN MATTE TIN	3 & 8 = 4.25
85 = 25 COLUMN MATTE TIN	4 & 9 = 5.15

ADD LEADFREE P/NS EC NO: UCP2012-1899 DRWN:WOLFE 2011/12/13 CHKD:SDANNELLEY 2011/12/13 APPR:SMILLER 2012/01/17	QUALITY SYMBOLS ▽=0 ▽=0 ▽=0	GENERAL TOLERANCES (UNLESS SPECIFIED)		DIMENSION STYLE MM ONLY		SCALE 1:1	DESIGN UNITS METRIC	THIRD ANGLE PROJECTION
		4 PLACES ± --- ± ---	DRAWN BY JMELTON	DATE 2010/04/09	TITLE VHDM BACKPLANE 8 ROW SIGNAL-PIN END SALES DRAWING			
		3 PLACES ± --- ± ---	CHECKED BY SDANNELLEY	DATE 2010/04/12	MOLEX INCORPORATED			
		2 PLACES ± 0.25 ± ---	APPROVED BY SMILLER	DATE 2010/04/19	MATERIAL NO. SEE TABLE	DOCUMENT NO. SD-74457-002	SHEET NO. 2 OF 2	
DRAFT WHERE APPLICABLE MUST REMAIN WITHIN DIMENSIONS		THIS DRAWING CONTAINS INFORMATION THAT IS PROPRIETARY TO MOLEX INCORPORATED AND SHOULD NOT BE USED WITHOUT WRITTEN PERMISSION						

PART NUMBER	COLUMN	NUMBER OF SIGNAL PIN	NUMBER OF SHIELD	A MAX	B	M	Au (um) THICKNESS	Sn/Ph (um) THICKNESS
74457-1001	10	80	10	27.00	18.00	4.75	0.76	0.38-1.52
74457-1006							1.27	
74457-2501	25	200	25	57.00	48.00		0.76	
74457-2506							1.27	
74457-1002	10	80	10	27.00	18.00	6.25	0.76	
74457-1007							1.27	
74457-2502	25	200	25	57.00	48.00		0.76	
74457-2507							1.27	
74457-1003	10	80	10	27.00	18.00	4.25	0.76	
74457-1008							1.27	
74457-2503	25	200	25	57.00	48.00		0.76	
74457-2508							1.27	
74457-1004	10	80	10	27.00	18.00	5.15	0.76	
74457-1009							1.27	
74457-2504	25	200	25	57.00	48.00		0.76	
74457-2509							1.27	

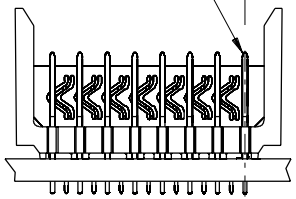
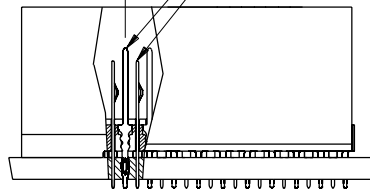


Ø.41 OFFSET SIGNAL TO SIGNAL

2.45 TOP DAUGHTERCARD PCB TO Ø ROW A

SIGNAL SHIELD

ROW A



EC NO: LDT2002-0443 DRWN: MWANG 01/03/18 CHK: NMARTIN 01/19/18 APPR: CBIXLER 01/09/18	QUALITY SYMBOLS	GENERAL TOLERANCES: (UNLESS SPECIFIED)		SCALE: 2.5:1	DESIGN UNITS: <input checked="" type="checkbox"/> mm <input type="checkbox"/> INCH	DIMENSIONS: <input type="checkbox"/> mm <input type="checkbox"/> INCH <input checked="" type="checkbox"/> mm ONLY		SHT	REV	
	MAJOR $\nabla = 0$	mm	INCH	DRAWN BY & DATE: MWANG 00/03/10		THIRD ANGLE PROJECTION				
	CRITICAL $\nabla C = 0$	4 PLACES $\pm 0.---$	\pm	3 PLACES $\pm 0.---$	\pm	CHECKED BY & DATE: JLAURX 00/03/10		TITLE: VHDM BACKPLANE 8 ROW SIGNAL-PIN END SALES DRAWING		
		2 PLACES $\pm 0.---$	\pm	1 PLACE $\pm 0.---$	\pm	APPROVED BY & DATE: CBIXLER 00/03/10		MATERIAL NO. SEE SHEET 2		
	ANGULAR: $\pm ---^\circ$			CAD FILENAME: SD-74457-002.DGN		DRAWING NO. SD-74457-002		SHEET NO. 2		
	DRAFT WHERE APPLICABLE MUST REMAIN WITHIN DIMENSIONS				THIS DRAWING CONTAINS INFORMATION THAT IS PROPRIETARY TO MOLEX INCORPORATED AND SHOULD NOT BE USED WITHOUT WRITTEN PERMISSION.					