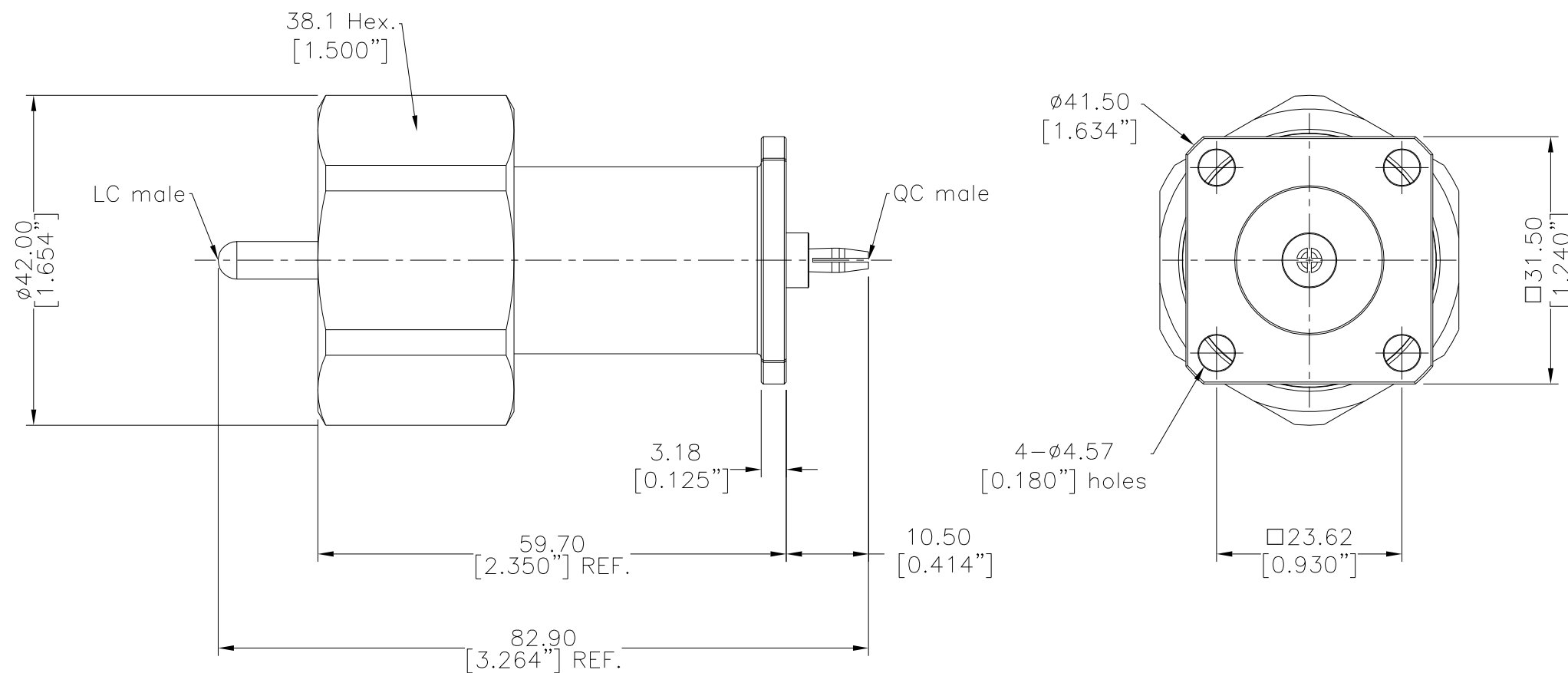


SYM	REVISION DESCRIPTION	DFTM	DATE	APPD	APPD
A	RELEASED FOR PRODUCTION	Patrick	2021/05/10	Tony	2021/05/10



I. MATERIALS & FINISHES

Components	Materials	Finishes	Thk. (μ")
Body	Brass	Albaloy	100
Contact Pin	Brass	Silver	200
Contact Pin	Beryllium Copper	Silver	200
Coupling Nut	Brass	Albaloy	100
Insulator	PTFE	--	--
Gasket	Silicone Rubber	--	--

II. ELECTRICAL PROPERTIES

Impedance:	50 Ω
Frequency Range:	DC to 1 GHz
Voltage Rating:	2000 V rms
Dielectric Withstanding Voltage:	5000 V rms
Insulation Resistance:	≥10000 MΩ
VSWR:	≤1.20
Insertion Loss:	-0.1x√f(GHz) dB

III. ENVIRONMENTAL PROPERTIES

Temperature Range:	-65°C to +165°C
Thermal Shock:	MIL-STD-202, Meth.107, Cond. B
Vibration:	MIL-STD-202, Meth.204, Cond. B
Shock:	MIL-STD-202, Meth.213, Cond. G
Climatic Class:	IEC 60068 40/155/21
RoHS:	Compliant


IV. MECHANICAL PROPERTIES

Coupling Nut Torque:	32 Nm
Durability:	500 Cycles

Interface Compatible with Standard:
MIL-STD-348 (LC)
Times WI-RD-029 (QC)

V. TOOLINGS & ACCESSORIES

N/A

UNLESS OTHERWISE SPECIFIED		DFTM.	Patrick	 AD-LCM-QCM-PM-1 LC Male to QC Male Straight Adapter							
ALL DIMENSIONS ARE IN mm MACHINED SURFACES FINISH 1.6 RMS MAX. REMOVE ALL BURRS 0.15X45° MAX. BREAK MACHINE CORNERS 0.15X45° D MAX. FILLET R. TOLERANCES ON DECIMALS .X ±0.15 .XX ±0.1 ANGLES ±2° FRACTIONS ± N/A		DATE	2021/05/10								
		CHKD	Monica								
		DATE	2021/05/10								
		APPD	Tony								
SCALE:	N/A	DWG SIZE	A3	DO NOT SCALE DRAWING	DATE	2021/05/10	SHT	1/1	3191-6293	REV	A