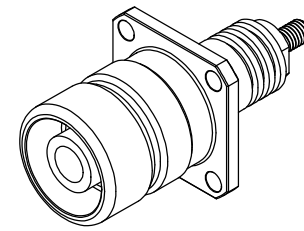
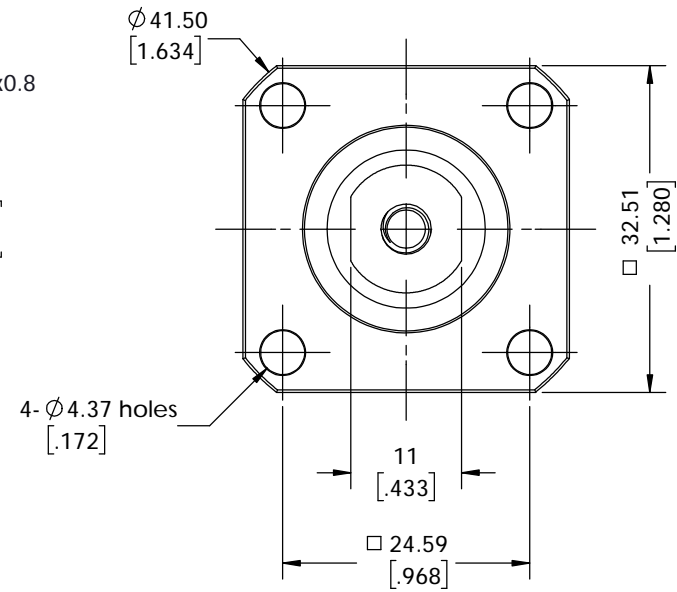
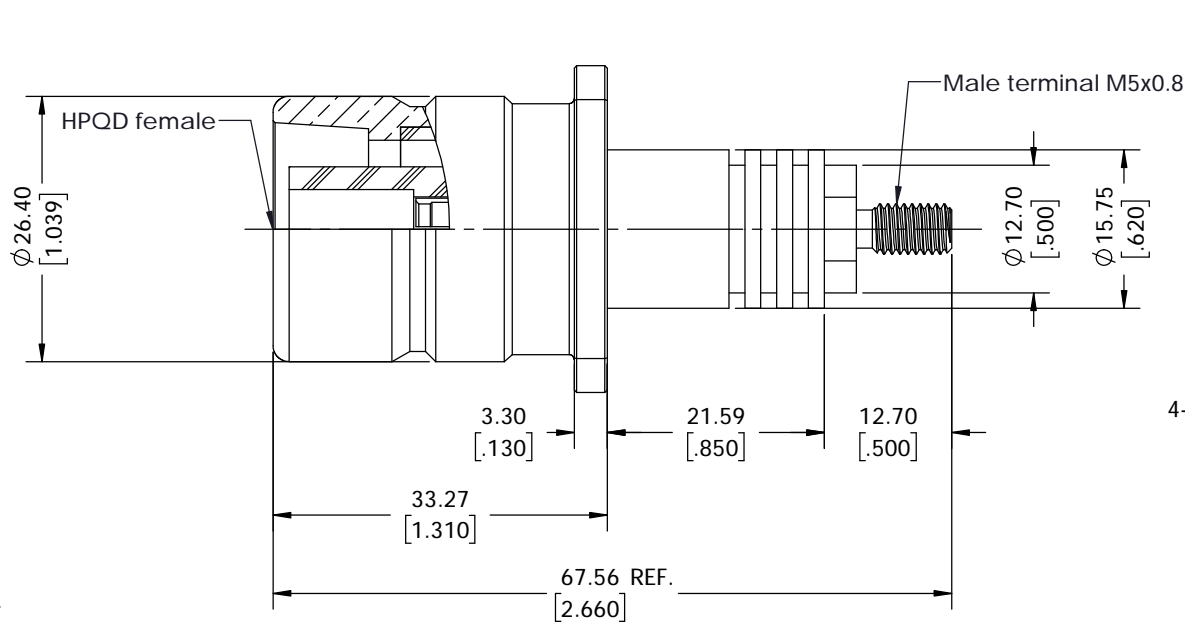


NOTICE OF PROPRIETARY RIGHTS: THIS DOCUMENT CONTAINS CONFIDENTIAL DATA, INCLUDING TRADE SECRETS, PROPRIETARY TO TIMES MICROWAVE SYSTEMS. DISCLOSURE OF THIS DATA IS EXPRESSLY CONDITIONED UPON YOUR ASSENT THAT ITS USE IS LIMITED TO USE WITHIN YOUR COMPANY ONLY. ANY OTHER USE IS STRICTLY PROHIBITED WITHOUT THE PRIOR WRITTEN CONSENT OF TIMES MICROWAVE SYSTEMS.

| SYM | REVISION DESCRIPTION | DFTM | DATE | APPD | DATE |
|-----|-------------------------|---------|------------|------|------------|
| A | RELEASED FOR PRODUCTION | Patrick | 2020/03/05 | Tony | 2020/03/05 |



Interface Compatible with Standard:
Times WI-RD-026

I. MATERIALS & FINISHES

| Component | Material | Finishes | Thk. (u") |
|-------------|------------------|----------|-----------|
| Body | Brass | Albaloy | 100 |
| Contact Pin | Beryllium Copper | Silver | 200 |
| Contact Pin | Brass | Silver | 200 |
| Insulator | PTFE | -- | -- |

II. ELECTRICAL PROPERTIES

| | |
|----------------------------------|--------------------|
| Impedance: | 50 Ω |
| Frequency Range: | DC to 2.5 GHz |
| Voltage Rating: | 2700 V rms |
| Dielectric Withstanding Voltage: | 5000 V rms |
| Insulation Resistance: | ≥10000 MΩ |
| Insertion Loss (f / GHz): | -0.1 x sqrt (f) dB |

All Material and Plating Meet TIMES Document: WI-RD-003

III. ENVIRONMENTAL PROPERTIES

| | |
|--------------------|---------------------------------|
| Temperature Range: | -65°C ~ +165°C |
| Thermal Shock: | MIL-STD-202, Meth. 107, Cond. B |
| Vibration: | MIL-STD-202, Meth. 204, Cond. B |
| Shock: | MIL-STD-202, Meth. 213, Cond. I |
| Climatic Class: | IEC 60068 55/155/21 |
| RoHS: | Compliant |

IV. MECHANICAL PROPERTIES

| | |
|----------------------|------------|
| Coupling Nut Torque: | N/A |
| Durability: | 500 Cycles |

V. TOOLINGS & ACCESSORIES

N/A

| | | | |
|---|-------|-----------------|---|
| UNLESS OTHERWISE SPECIFIED | | DFTM Patrick | An Amphenol Company |
| ALL DIMENSIONS ARE IN mm MACHINED SURFACES FINISH 1.6 RMS MAX. REMOVE ALL BURRS 0.15X45° MAX. BREAK MACHINE CORNERS 0.15X45° D MAX. FILLET R. TOLERANCES ON DECIMALS X ±0.15 XX ±0.1 ANGLES ±2° FRACTIONS ± N/A | | DATE 2020/03/05 | |
| | | CHKD Monica | Receptacle HPQD Female to Male Terminal M5x0.8 with 4 Holes Flange |
| | | DATE 2020/03/05 | |
| | | APPD Tony | |
| Scale: | 2:1 | Size: | A3 |
| CODE IDENT | 68999 | DATE | 2020/03/05 |
| SHT | 1/1 | 3191-6217 | REV A |