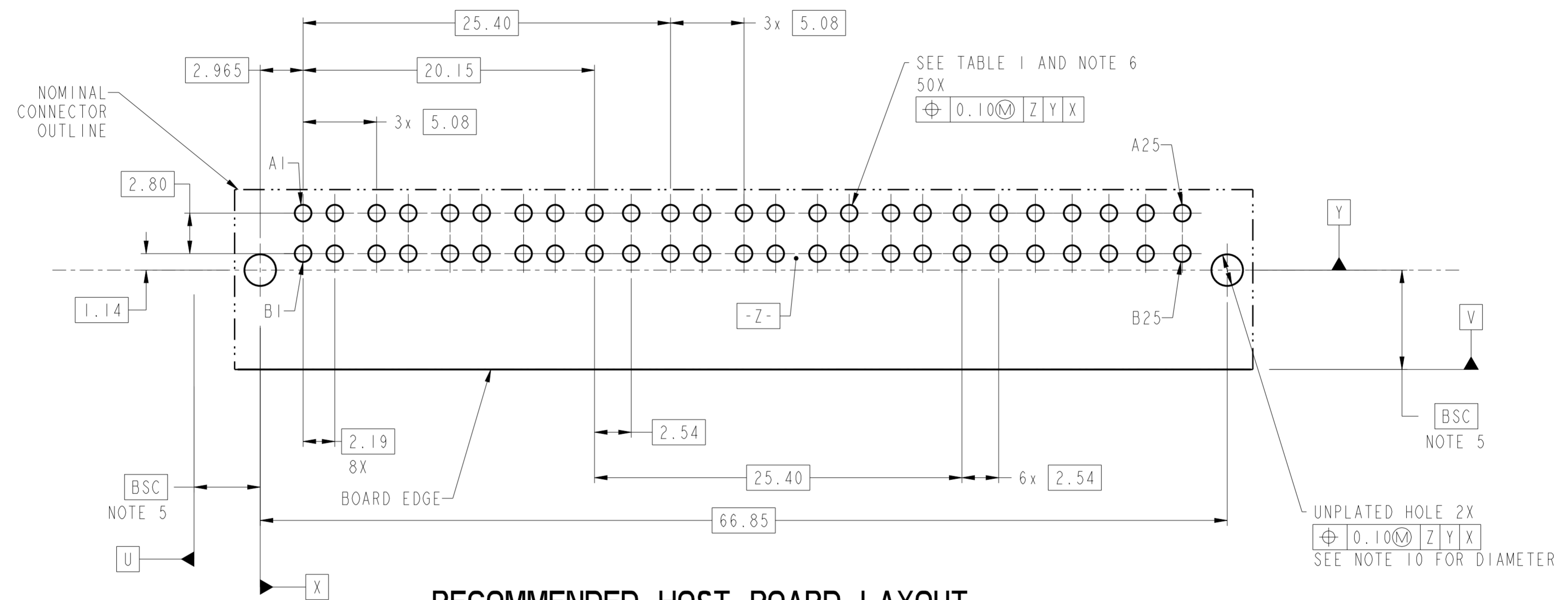


**PRELIMINARY**

spec ref	-	dr	ANDY LU	2018-05-04	projection	MM	size	A2	scale	4:1
tolerance std	ISO 406 ISO 1101	eng	ADA YE	2019-06-24			ecn no			
TOLERANCES UNLESS OTHERWISE SPECIFIED		chr	ANDY LU	2019-06-24			rel level	In Work		
surface	linear	0.X	±0.5		product family		8MP+4SP+8MP+14SP SPECIAL CONFIGURATION	cat. no.	Product - Customer Drw	sheet 1 of 4
		0.XX	±0.25		title	eHPCE R/A CRPS	dwg no	10147875	rev	6
	angular	0°	±3°							

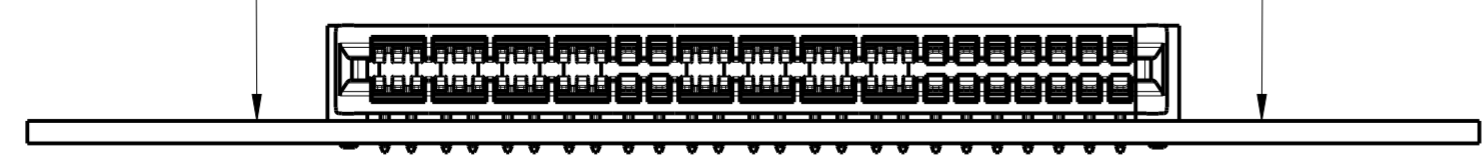
TABLE 1 (eHPCE / SOLDER TAILS)  
PLATED THROUGH-HOLE REQUIREMENTS

CONTACT TYPE	TOP LAYER DESCRIPTION	DRILLED HOLE DIAMETER	COPPER THICKNESS	TIN-LEAD THICKNESS	TIN THICKNESS	FINISHED HOLE DIAMETER
		MIDDLE POWER(3 BEAM) SINGLE POWER(1 BEAM)	TIN-LEAD	1.21-1.26 (1.25 DRILL)	0.020 - 0.040	0.005 - 0.010
	IMMERSION TIN	1.21-1.26 (1.25 DRILL)	0.025 - 0.050	--	0.9 - 1.5um	1.10 - 1.20
	COPPER (SEE NOTE 8)	1.21-1.26 (1.25 DRILL)	0.025 - 0.050	--	--	1.10 - 1.20



RECOMMENDED HOST BOARD LAYOUT  
(DIMENSION TOLERANCE IS  $\pm 0.05\text{MM}$ )

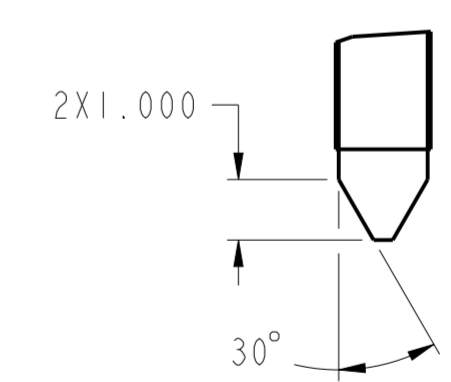
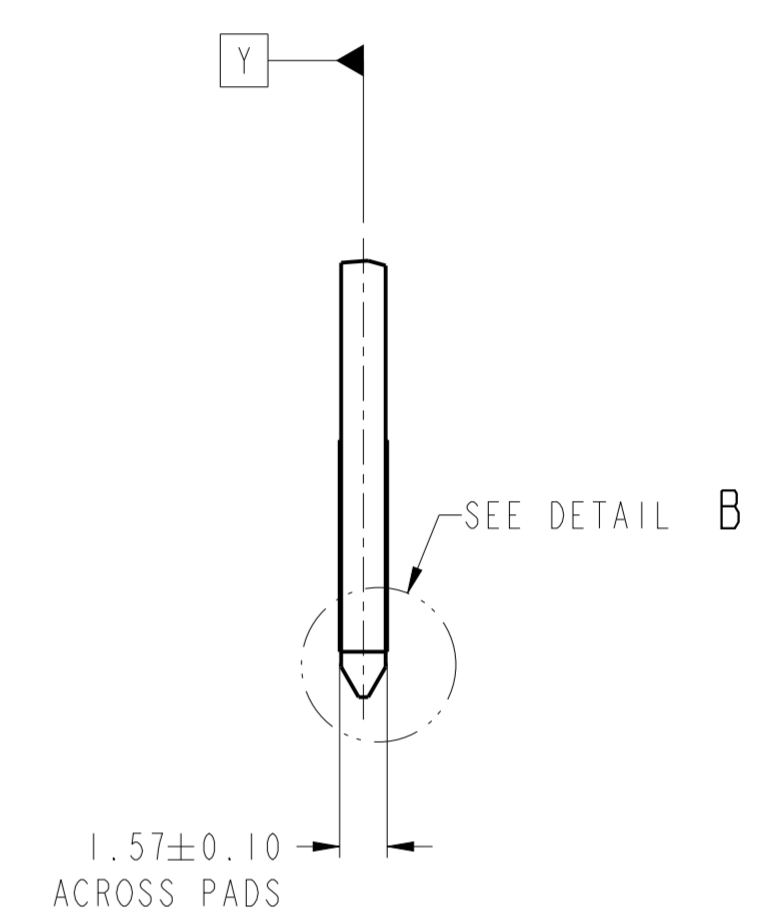
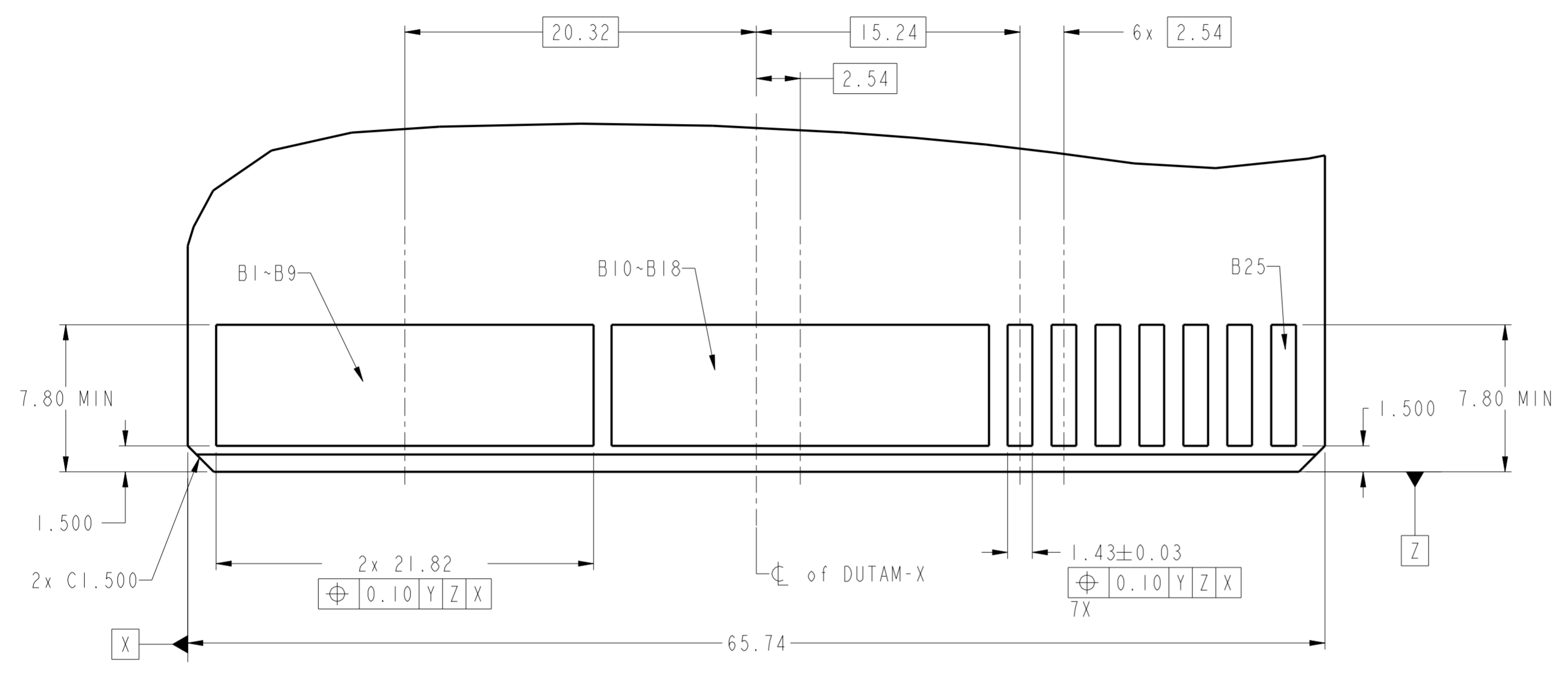
RECOMMENDED PCB LAYOUT  
VIEWED FROM CONNECTOR SIDE



spec ref	-	dr	ANDY LU	2018-05-04	projection	MM	size	A2	scale	4:1
tolerance std	ISO 406 ISO 1101	eng	ADA YE	2019-06-24			ecn no	rel level	In Work	rev
surface	ISO 1302	chr	ANDY LU	2019-06-24						
		appr	PM ZHENG	2019-06-24	product family	Product - Customer Drw	sheet 2 of 4			
		linear	0.X	$\pm 0.5$						
			0.XX	$\pm 0.25$						
			0.XXX	$\pm 0.13$						
		angular	0°	$\pm 3^\circ$						

Amphenol FCI

© 2016 APCI



**RECOMMENDED MATING BOARD LAYOUT**  
(DIMENSION TOLERANCE IS ±0.05MM)

DETAIL B  
SCALE 8:1

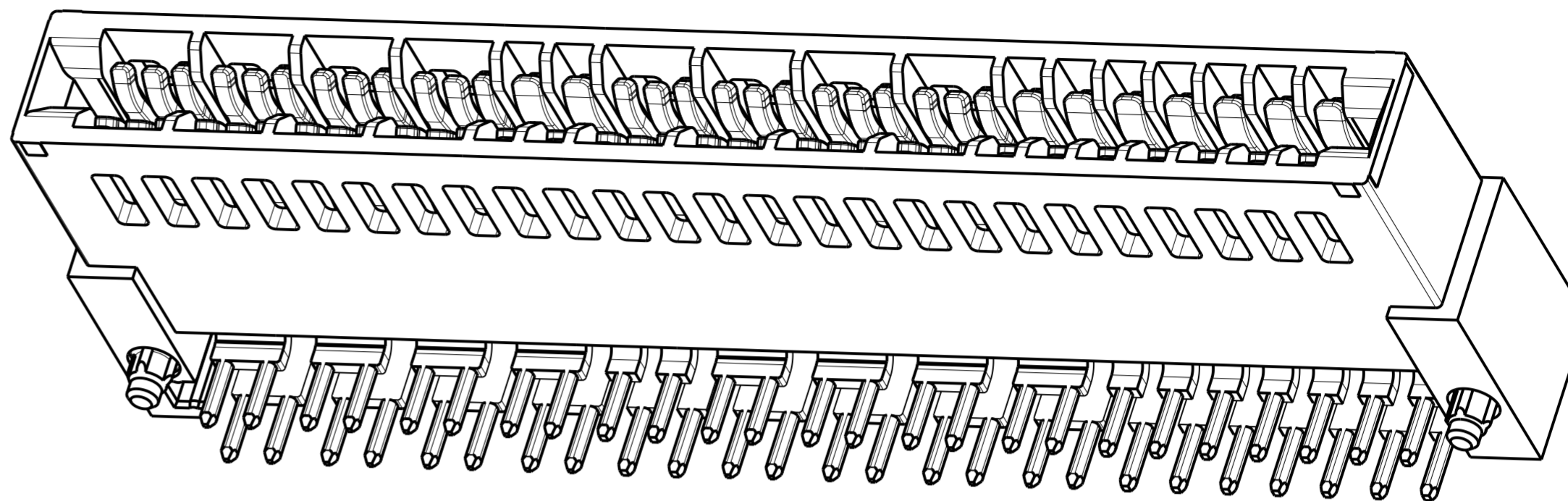
spec ref	-	dr	ANDY LU	2018-05-04	projection	MM	size	A2	scale	4:1	
tolerance std	ISO 406 ISO 1101	eng	ADA YE	2019-06-24			ecn no	rel level	In Work	rev	
TOLERANCES UNLESS OTHERWISE SPECIFIED		chr	ANDY LU	2019-06-24							
		appr	PM ZHENG	2019-06-24							
surface	ISO 1302	linear	0.X	±0.5	<b>Amphenol FCI</b>		<b>eHPCE R/A CRPS</b>		8MP+4SP+8MP+14SP SPECIAL CONFIGURATION	10147875	6
		angular	0°	±3°	cat. no.		Product - Customer Drw		sheet 3 of 4		

Amphenol FCI

© 2016 APCI

eHPCE CRPS RIGHT ANGLE

PART NUMBER	TAIL TYPE	DIM-T TAIL LENGTH (MM)	RECOMMENDED HOST PCB THICKNESS	STATUS
10147875-001LF	SOLDER TAIL	2.6±0.4	1.57MM	RELEASED
10147875-002LF	SOLDER TAIL	3.0±0.4	2.00MM	NOT TOOLED
10147875-003LF	SOLDER TAIL	4.0±0.4	3.00MM	NOT TOOLED
10147875-004LF	SOLDER TAIL	4.8±0.4	3.86MM	RELEASED



NOTES:

- 1 PRODUCT MARK:  
PART NUMBER AND DATE CODE TO BE MARKED ON THIS SURFACE.  
THE MARK CAN BE OMITTED IF THERE IS NOT ENOUGH SPACE ON THIS SURFACE.
- 2 MATERIALS:  
-HOUSING : HIGH TEMP THERMOPLASTIC WITH GLASS FIBER, UL94V-0,  
-POWER CONTACT : HIGH CONDUCTIVITY COPPER ALLOY.  
-SIGNAL CONTACT : COPPER ALLOY
- 3 PLATING SPECIFICATION:  
-POWER CONTACT:  
CONTACT AREA: GCS OVER NI  
SOLDER TAIL AREA: MATTE SN OVER NI  
-SIGNAL CONTACT:  
CONTACT AREA:GXT OVER NI  
SOLDER TAIL AREA: MATTE SN OVER NI
- 4 DENOTES CONNECTOR KEEP OUT ZONE.
- 5 DATUM AND BASIC DIMENIONS WERE ESTABLISHED BY CUSTOMER.
- 6 ALL HOLE DIAMETERS ARE FINISHED HOLE SIZES.
- 7 THE HOUSING WILL WITHSTAND EXPOSURE TO 245°C PEAK TEMPERATURE FOR 10 SECONDS  
IN A WAVE SOLDER APPLICATION.
- 8 THIS PRODUCT MEETS EUROPEAN UNION DIRECTIVES AND OTHER COUNTRY REGULATIONS AS DESCRIBED IN GS-47-0004.
- 9 PRODUCT SPECIFICATION : GS-12-1457.  
APPLICATION SPECIFICATION : GS-20-0554.  
PRODUCT PACKAGE SPECIFICATION: GS-14-2532.
- 10 MOUNTING HOLES ARE UNPLATED  
Ø 2.18+/-0.03 FOR SOLDER TO BOARD(STB) TAILS.
- 11 THE RECOMMENDED GOLD FINGER PLATING IS 30u" MIN Au PLATING.

Amphenol  
FCi

© 2016 APCI

spec ref	-	dr	ANDY LU	2018-05-04	projection	MM	size	A2	scale	4:1
tolerance std	ISO 406 ISO 1101	eng	ADA YE	2019-06-24			ecn no			
TOLERANCES UNLESS OTHERWISE SPECIFIED		chr	ANDY LU	2019-06-24			rel level	In Work		
surface	linear	0.X	±0.5	Amphenol FCi	title	eHPCE R/A CRPS	dwg no	10147875	rev	6
		0.XX	±0.25		8MP+4SP+8MP+14SP SPECIAL CONFIGURATION					
		0.XXX	±0.13		cat. no.	Product - Customer Drw	sheet 4 of 4			
	angular	0°	±3°							