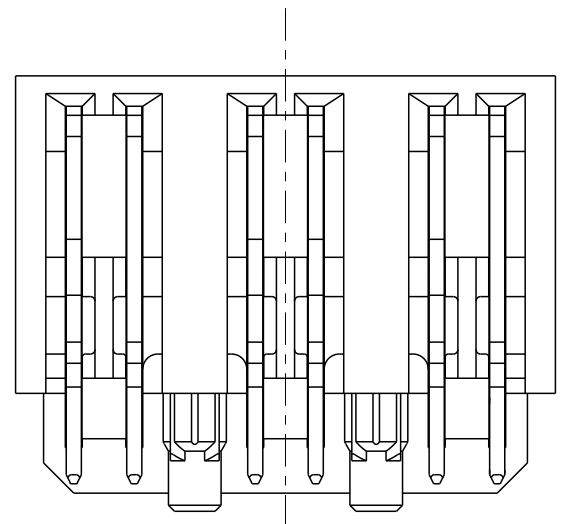
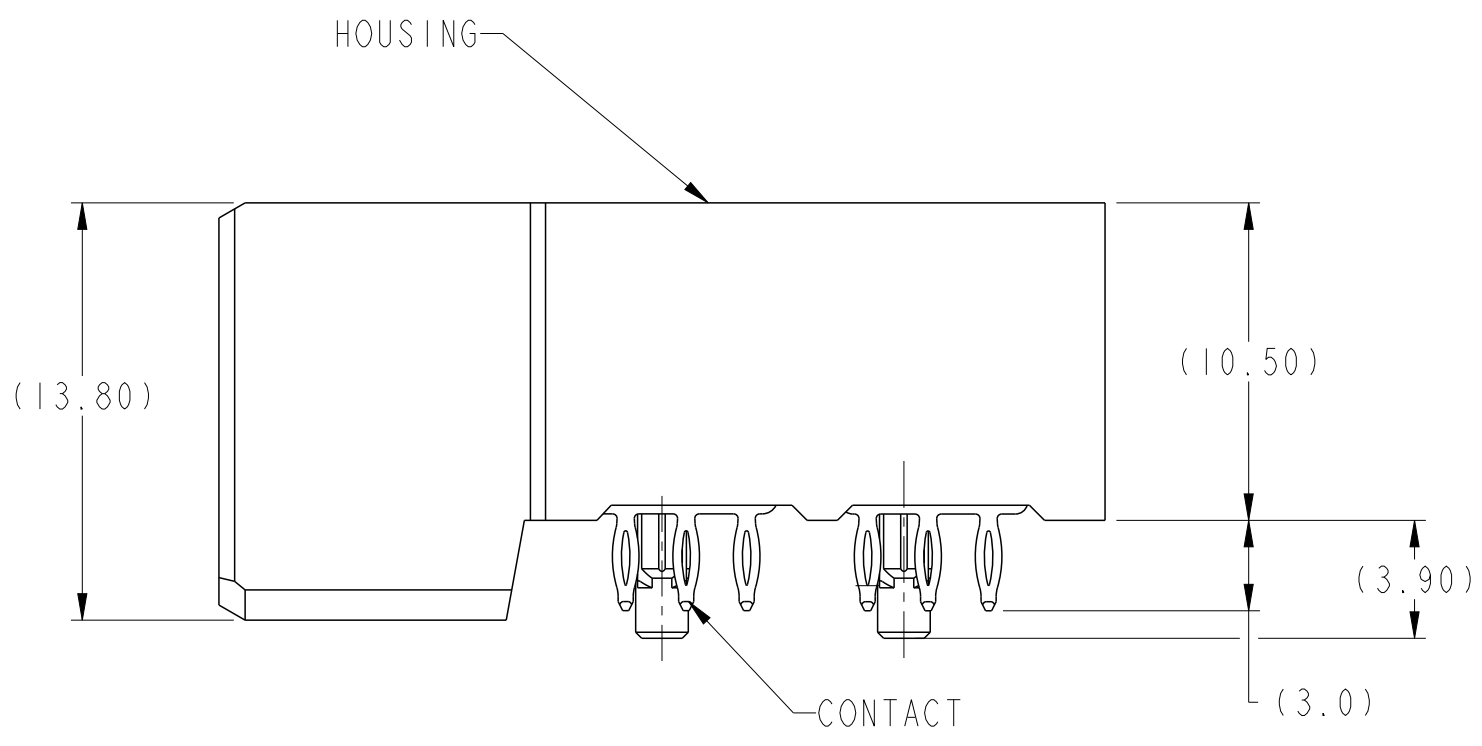
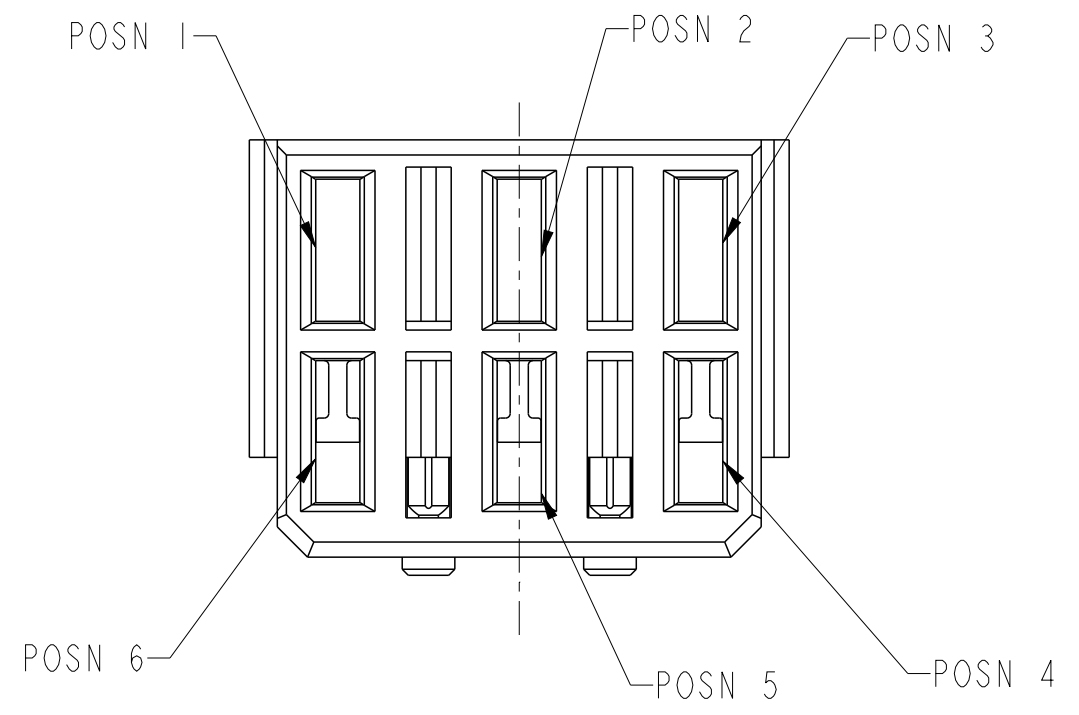
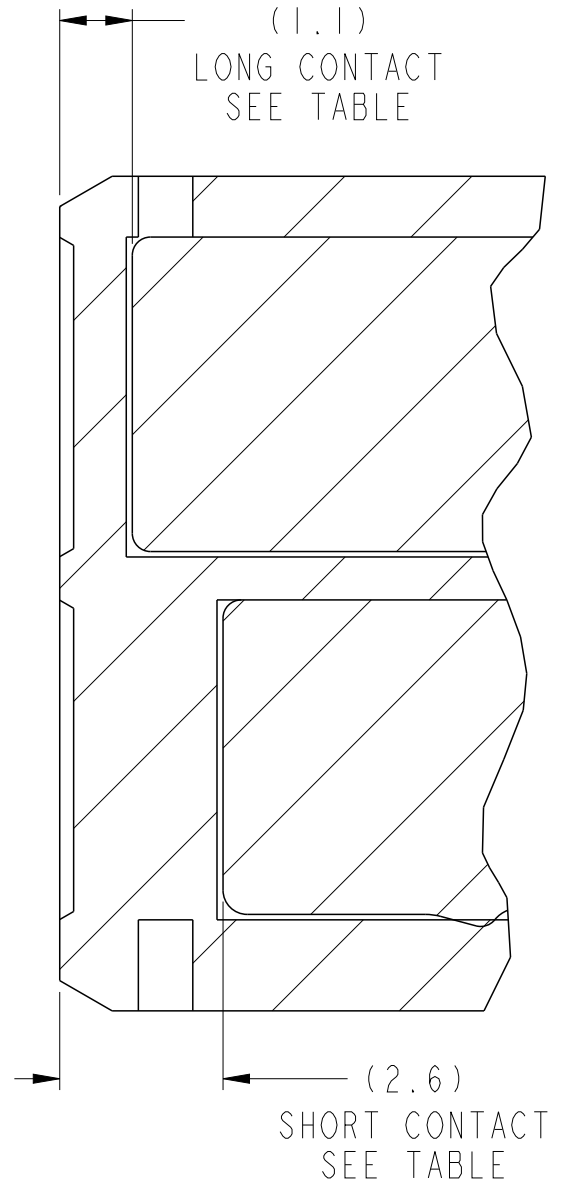
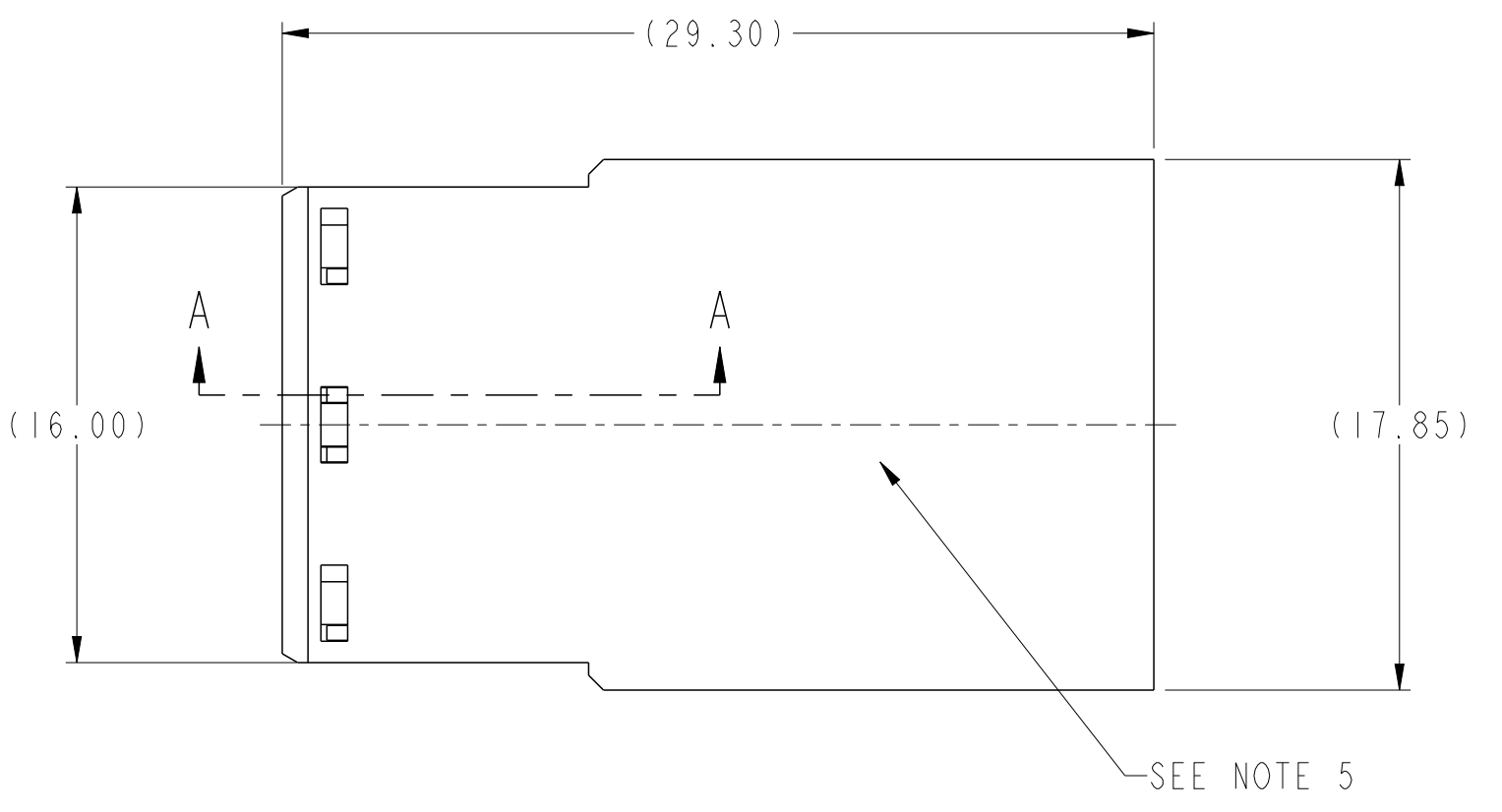
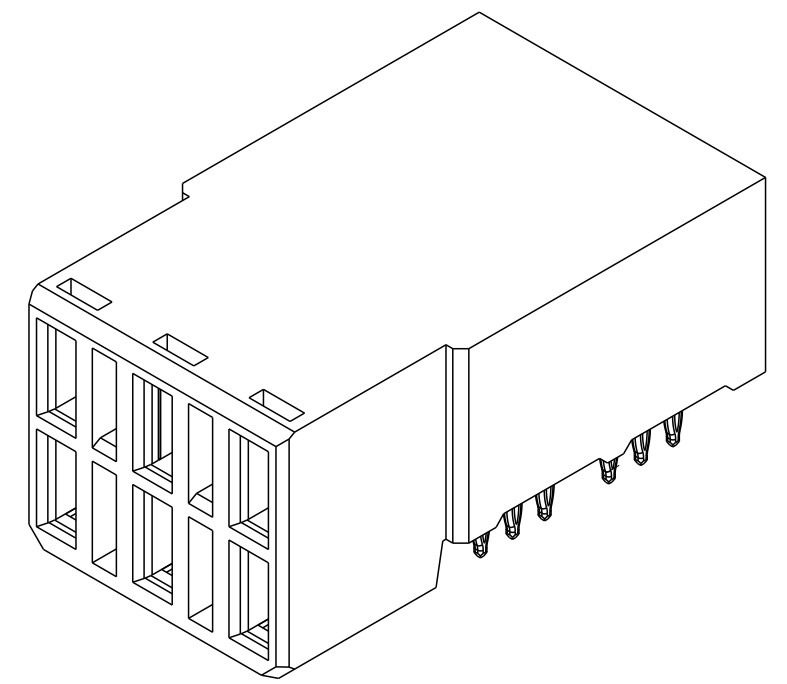


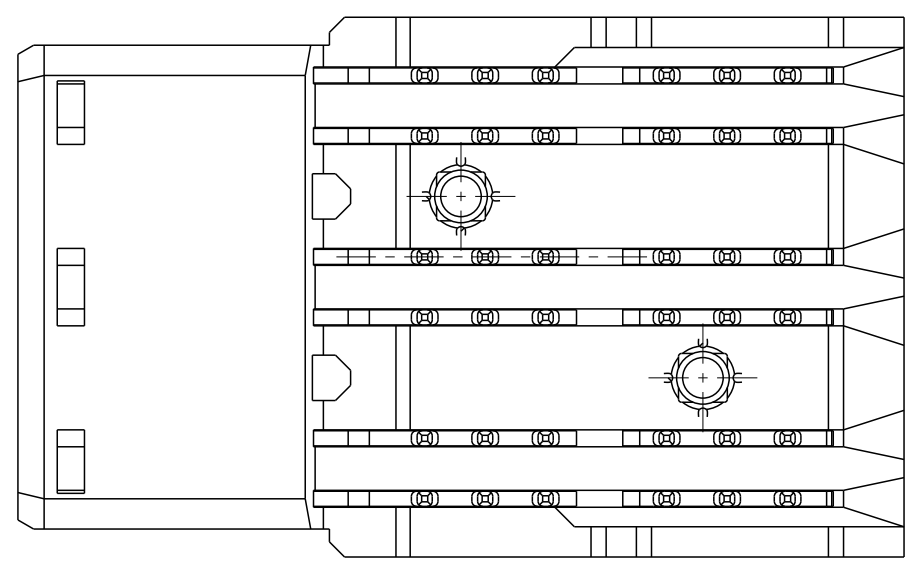
PRODUCT NUMBER ("LF" DENOTES LEAD-FREE)	CONTACT DEPTH (SEE SECTION A-A)					
	POSN 1	POSN 2	POSN 3	POSN 4	POSN 5	POSN 6
10146092-444444PLF	LONG	LONG	LONG	LONG	LONG	LONG
10146092-555555PLF	SHORT	SHORT	SHORT	SHORT	SHORT	SHORT
10146092-444555PLF	LONG	LONG	LONG	SHORT	SHORT	SHORT
10146092-455455PLF	LONG	SHORT	SHORT	LONG	SHORT	SHORT
10146092-554555PLF	SHORT	SHORT	LONG	SHORT	SHORT	SHORT
10146092-555444PLF	SHORT	SHORT	SHORT	LONG	LONG	LONG
10146092-545555PLF	SHORT	LONG	SHORT	SHORT	SHORT	SHORT



SECTION A-A
SCALE 8:1



3D VIEW
SCALE 3:1



spec ref	GS-12-220	dr	Terry Luo	2017/1/08	projection	MM	size	A2	scale	1:1
tolerance std	ASME Y14.5	eng	-	2019/05/31			ecn no	-	product family 2mm High Power rel level Preliminary	rev 3
tolerances	TOLERANCES UNLESS OTHERWISE SPECIFIED	chr	-	cat. no.			R/A RECEPTACLE ASSY 2X3	10146092		
surface	linear	0.X ±0.3 0.XX ±0.10 0.XXX ±0.050	ASME Y14.5	angular			0° ±2°	Product - Customer Drw		

Amphenol FCI

© 2016 AFCI

