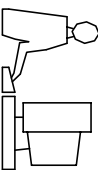


TOLERANCE UNLESS OTHERWISE SPECIFIED	
X	±0.30
XX	±0.20

THIS IS A C.A.D. GENERATED DRAWING  
DO NOT MAKE MANUAL REVISIONS TO MASTER.



ISSUE NUMBER	
CONTACT WAS 0.45MM DIA. AND PLATING TIN ON TAILS	④
F.BRIONES DEC.09/09	
BOARD LOCK CHANGE ROTATION	⑤
F.BRIONES JAN.29/11	
ADD SOLDER TEMPERATURE	⑥
R.STALMONICA MAY.28/2016	
UPDATE DESIGN	⑦
JL.	
APR.02/2024	

**NOTES**

**MATERIAL AND FINISH:**

BODY: HOUSING: PBT POLYESTER  
UL94V-0 RATED, MIXED GLASS FIBER.  
STANDARD COLOR: BLACK

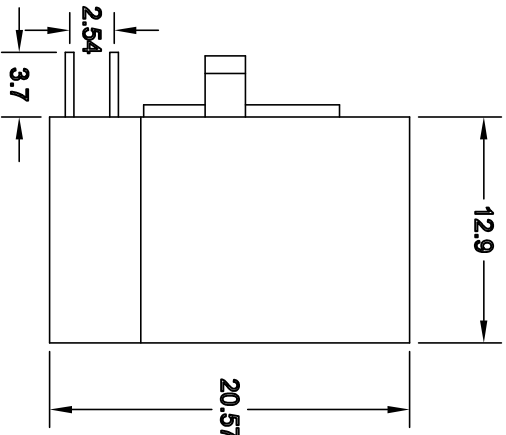
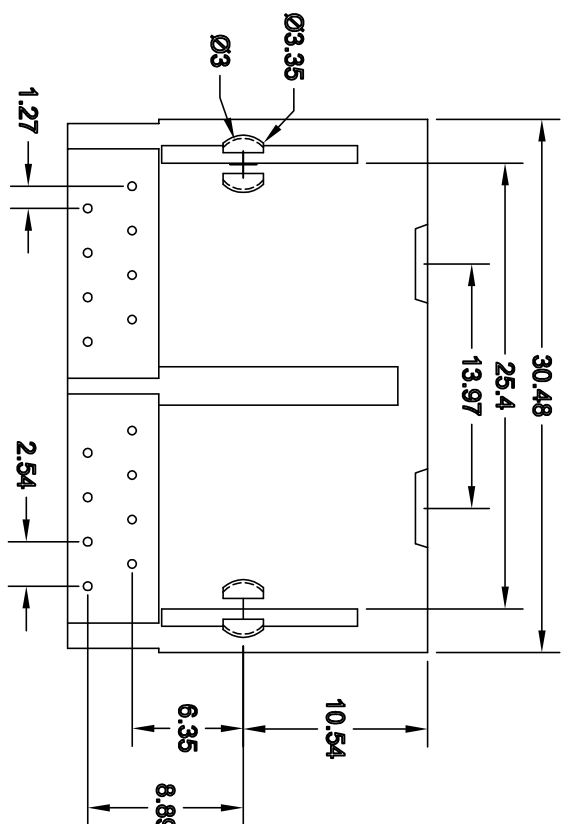
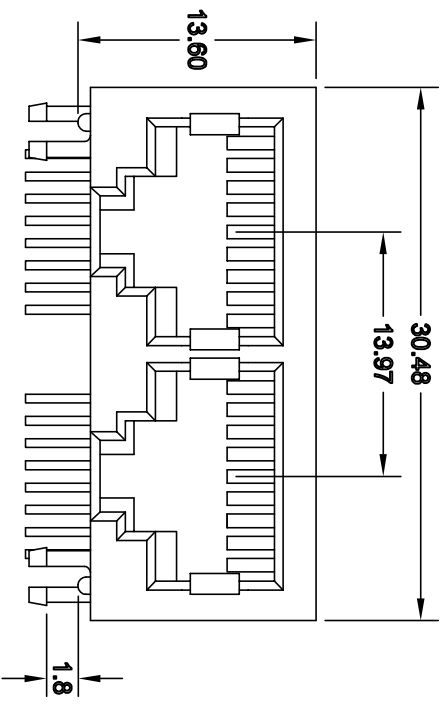
CONTACTS: PHOSPHOR BRONZE (0.45MM THICK)  
PLATED WITH GOLD AS PER PART NO. TABLE

- A00-216-260-450 GOLD FLASH
- A00-216-360-450 15 MICRONS OF GOLD
- A00-216-660-450 30 MICRONS OF GOLD
- A00-216-960-450 50 MICRONS OF GOLD

THE ABOVE PLATING ON CONTACT AREA  
GOLD FLASH ON TAILS OVER NICKEL

**SPECIFICATIONS**

- CURRENT RATING: 1.5A
- VOLTAGE RATING: 150 VAC
- CONTACT RESISTANCE: 20MILLIOHMS MAX
- INSULATION RESISTANCE: 500MILLIOHMS MIN
- DIELECTRIC WITHSTANDIGN VOLTAGE: 500 VAC, 60S



**8 POSITIONS JACK R/ANGLE PCB 2 PORTS**

ACAD REF. DRAWING:	A00-216-260-450
DRAWN: F.BRIONES	DATE: MAR.16/04
PART NUMBER	A00-216-260-450
DRAWING NUMBER	A00-216-260-450
ISSUE	7



THIS SERIES FULLY CONFORMS TO THE  
EUROPEAN UNION DIRECTIVES  
2011/65/EU FOR ROHS COMPLIANCY.

**EDAC INC**  
TORONTO, ONTARIO  
CANADA

THESE DRAWINGS AND SPECIFICATIONS  
ARE THE PROPERTY OF EDAC INC. AND  
SHALL NOT BE REPRODUCED OR COPIED  
OR USED AS THE BASIS FOR THE  
MANUFACTURE OR SALE OF APPARATUS  
WITHOUT WRITTEN PERMISSION.

YOUR CONNECTION TO QUALITY & SERVICE