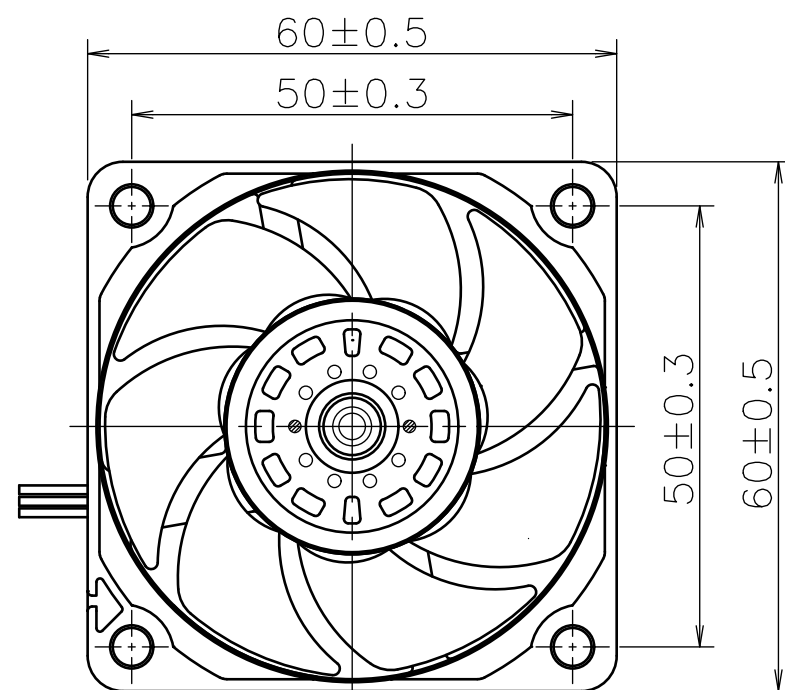
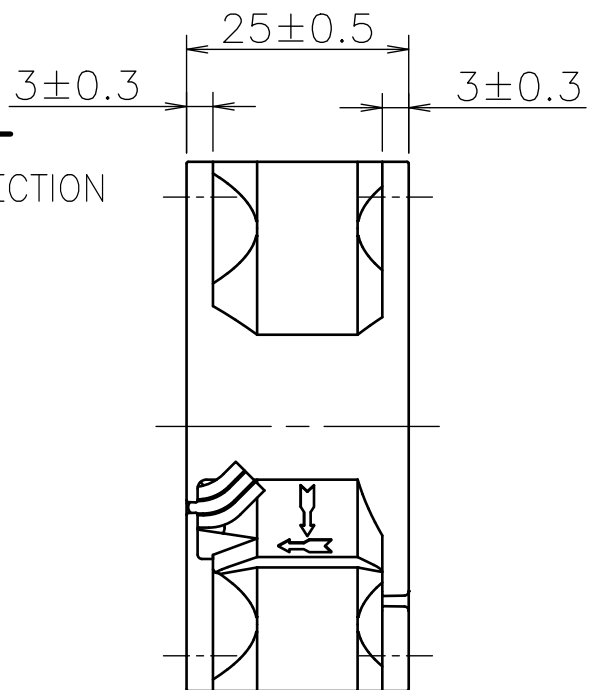
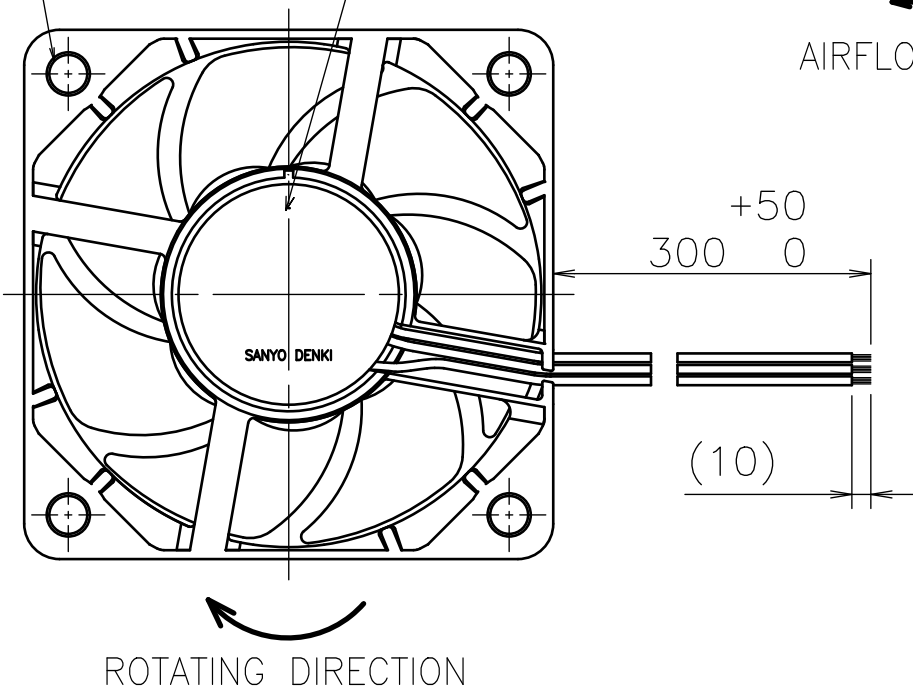


1. DIMENSIONS AND PARTS LIST

<DIMENSIONS>

8- $\phi 4.3 \pm 0.3$

LABEL (NOTE 1-1)



NOTE

1-1. THE PRODUCT NAME, MODEL NO., MANUFACTURER, MANUFACTURE DATE, ETC. ARE PRINTED ON LABEL.
 銘板上に品名, 型名, 製造会社名 及び 製造年月日等を表示する。

<LABEL> SHOWS LOT No. はロットNo.を示す。

<LEAD WIRE CONNECTION TABLE>

FAN		
	LEAD WIRE	COLOR
+	UL1007 AWG24	RED
GND	UL1007 AWG24	BLACK
SENSOR	UL1007 AWG24	YELLOW



OR



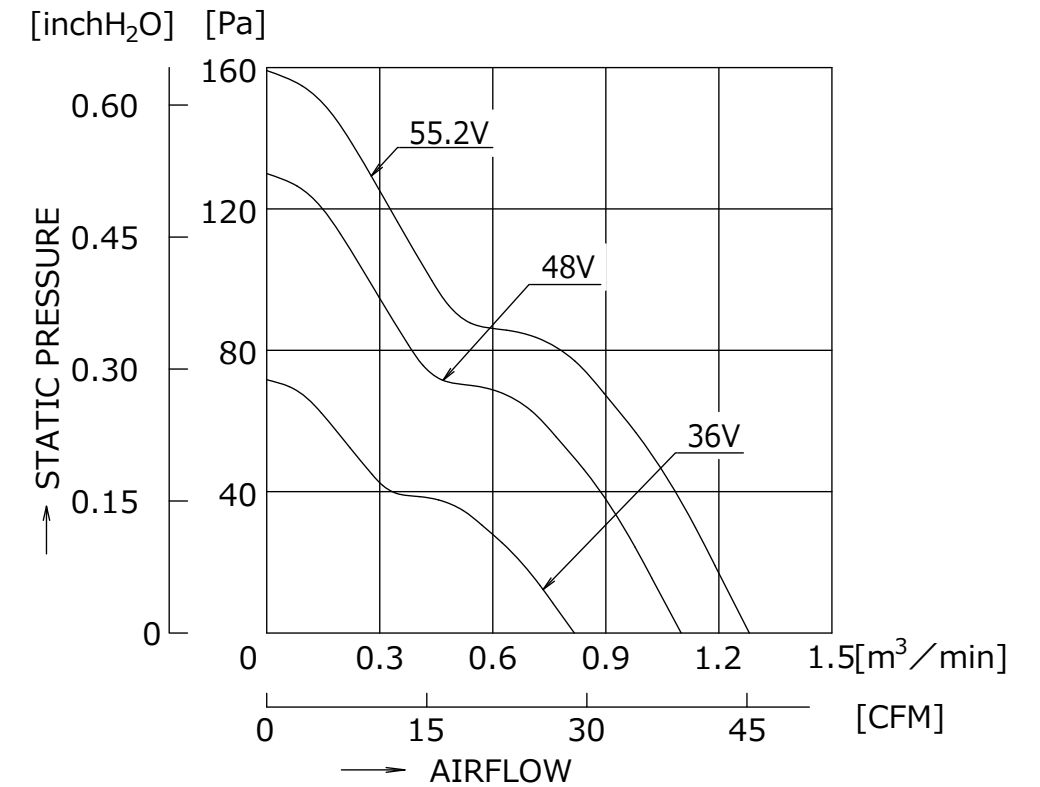
	ECN No.	名称 Title	
	E0220174	San Ace 60 (9RA)	
単位 Unit	新規 New Design	RIBLESS/PULSE_SENSOR	
mm	J.FERNANDEZ 21-05-18		
尺度 Scale	図面番号 Dwg. No.	9RA0648J40011	
-	-	Rev. C	
SANYO DENKI		承認 Approved By	審査 Checked By
		TE.YAMAZAKI	R.MOLINO
		24-01-10	24-01-09
		設計 Designed By	A.VIANZON
			23-11-29
Group	D12	User	E0
		Page	1/3

2. GENERAL SPECIFICATIONS

<CHARACTERISTICS>

ITEM	UNIT	CHARACTERISTICS
RATED VOLTAGE	V DC	48
OPERATING VOLTAGE RANGE	V DC	36 ~ 55.2
MAX. AIRFLOW	m ³ /min (CFM)	1.1 (38.8)
MAX. STATIC PRESSURE	Pa (inchH ₂ O)	130 (0.52)
RATED CURRENT	A	0.1
RATED SPEED	min ⁻¹	7700±770
INSULATION RESISTANCE (NOTE 2-2)	-	10M Ω MIN. AT 500 V DC
DIELECTRIC STRENGTH (NOTE 2-2)	-	1 MINUTE AT 500 V AC, 50/60 Hz
OPERATING TEMPERATURE	°C	-20 ~ +70
STORAGE TEMPERATURE	°C	-30 ~ +70
EXPECTED LIFE	-	60,000 h / 60 °C (L10, CONTINUOUS OPERATION)
SOUND PRESSURE LEVEL (NOTE 2-3)	dB(A)	41
MASS	g	APPROX. 70
MATERIAL	-	FRAME, IMPELLER : PLASTICS
BEARING SYSTEM	-	2 BALL BEARINGS

<REFERENCE AIRFLOW-STATIC PRESSURE CHARACTERISTICS>



- 2-4. WITHIN THE OPERATING VOLTAGE RANGE, THE MOTOR IS PROTECTED FROM BURNOUT DUE TO LOCKED ROTOR. DO NOT LOCK ROTOR OUTSIDE OF OPERATING VOLTAGE.
使用電圧範囲にてファン拘束時焼損の恐れはない。
使用電圧範囲外でファンを拘束しないこと。
- 2-5. FAN MIGHT NOT START UP NORMALLY IF THE IMPELLER IS ROTATING WHEN THE POWER IS TURNED ON.
電源投入時、羽根が空転していると正常に起動できない場合がある。

NOTE 2-1. ALL THE VALUES IN THE TABLE ARE TYPICAL VALUES MEASURED AFTER 30 MINUTES OF OPERATION AT ROOM TEMPERATURE AND NORMAL HUMIDITY.
表中の値はいずれも、常温、常湿、30分間動作後の標準値。

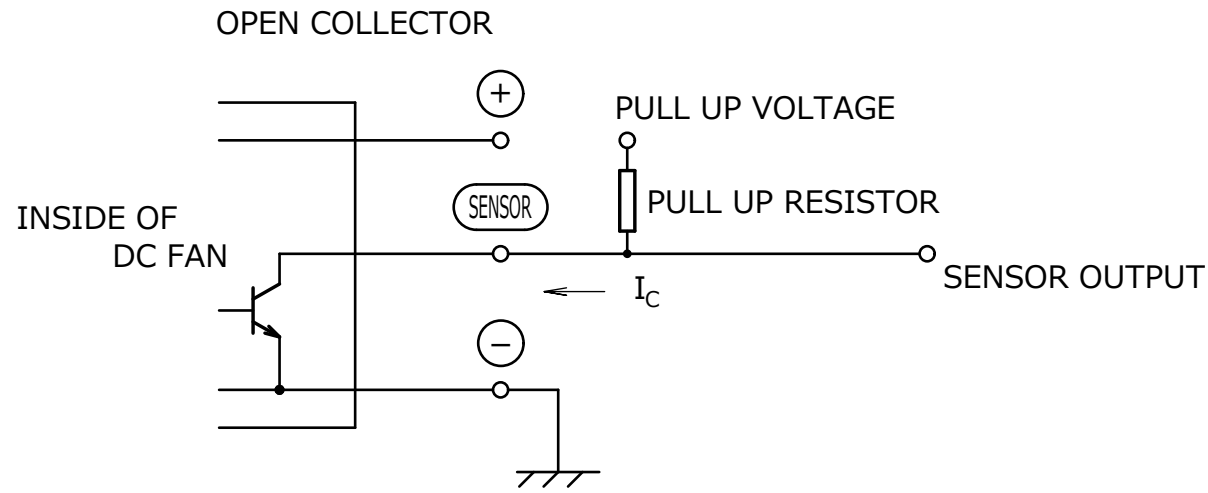
2-2. MEASURED BETWEEN LEAD WIRE CONDUCTORS AND FRAME.
リード線導体部とフレームとの間。

2-3. AT 1 m AWAY FROM THE AIR INLET.
ファン吸込側1 mにおける値。

	ECN No.	名称 Title	
	E0220174	San Ace 60 (9RA) RIBLESS/PULSE_SENSOR	
単位 Unit	新規 New Design	Rev.	
mm	J.FERNANDEZ 21-05-18	C	
尺度 Scale	図面番号 Dwg. No.	9RA0648J40011	
-	-	SANYO DENKI	
承認 Approved By		審査 Checked By	設計 Designed By
TE.YAMAZAKI 24-01-10		R.MOLINO 24-01-09	A.VIANZON 23-11-29
Group	D12	User	E0
Page		2/3	

3. SENSOR SPECIFICATIONS

<OUTPUT CIRCUIT>

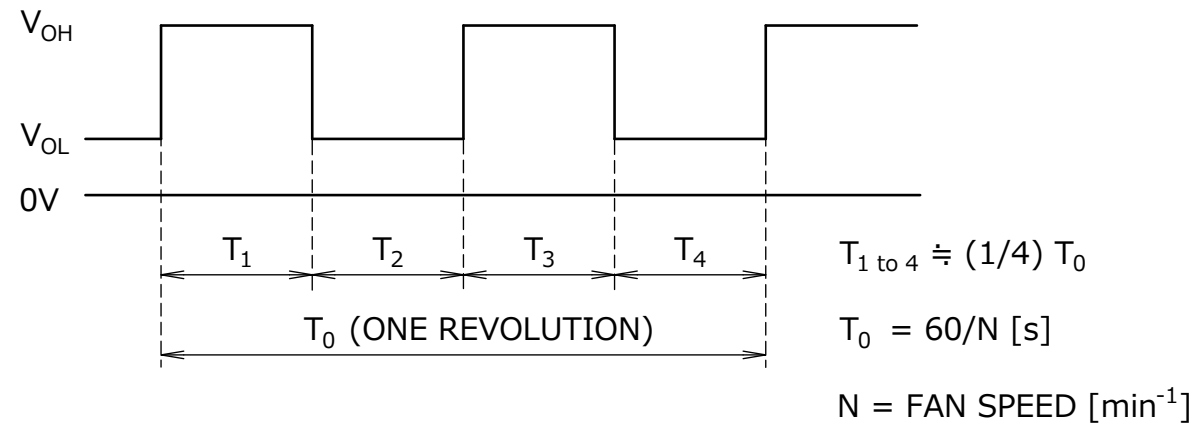


<SENSOR SPECIFICATIONS>

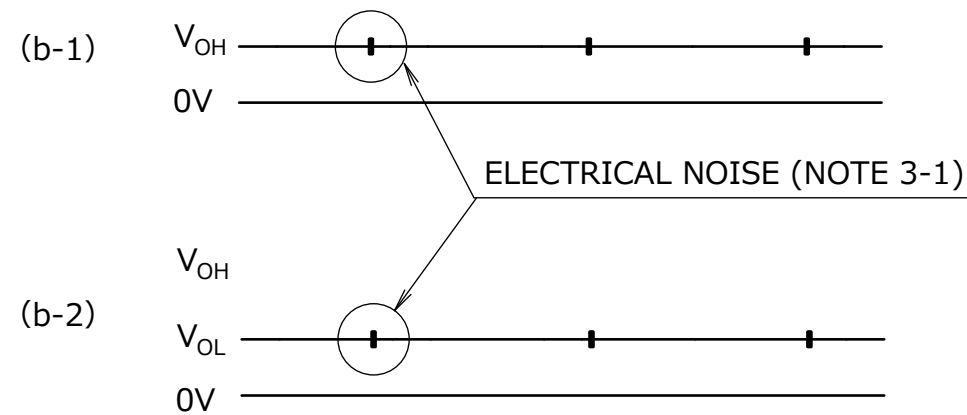
ITEM	SYMBOL	UNIT	MAX.
PULL UP VOLTAGE	-	V	60
COLLECTOR - EMITTER VOLTAGE (V_{CE})	V_{OH}	V	60
COLLECTOR CURRENT	I_C	mA	5
COLLECTOR SATURATION VOLTAGE ($V_{CE(SAT)}$)	V_{OL}	V	0.4

<OUTPUT WAVEFORM>

(a) IN CASE OF STEADY RUNNING



(b) IN CASE OF STEADY LOCKED ROTOR



- NOTE 3-1. ELECTRICAL NOISE MAY APPEAR ON V_{OL} WHEN THE MOTOR IS AUTO-RESTART.
 モータの自動再起動動作にともない、 V_{OL} にノイズが載ることがある。
- 3-2. IF REQUIRED TO KEEP THE V_{OL} LOW, LOWER THE V_{OH} OR SET THE I_C SMALLER.
 V_{OL} を低くする場合は、 V_{OH} を下げるか I_C を小さく設定すること。

	ECN No.	名称 Title		
	E0220174	San Ace 60 (9RA) RIBLESS/PULSE_SENSOR		
単位 Unit mm	新規 New Design J.FERNANDEZ 21-05-18	Rev.		
尺度 Scale -	図面番号 Dwg. No.	9RA0648J40011 C		
SANYO DENKI		承認 Approved By TE.YAMAZAKI 24-01-10	審査 Checked By R.MOLINO 24-01-09	設計 Designed By A.VIANZON 23-11-29
		Group D12	User E0	Page 3/3